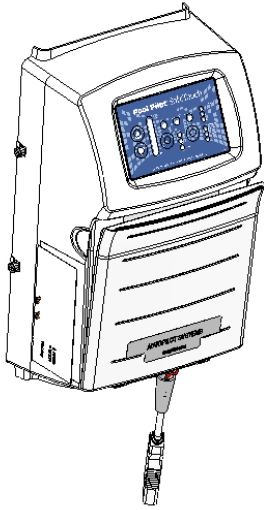
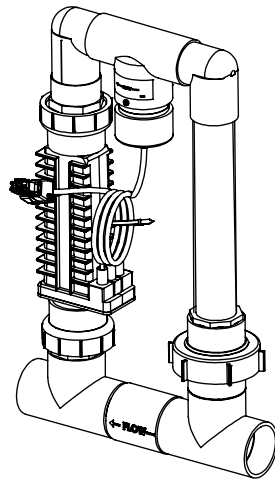


ST-220

Soft Touch



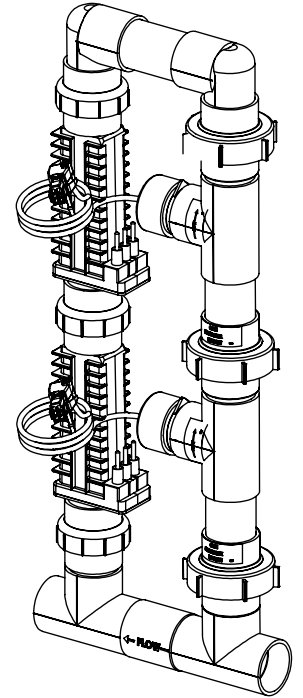
ST-220



Single System Manifold

Power Supply

PART #	DESCRIPTION
ST-220	Soft Touch Power Supply
ST-220CE	Digital Power Supply CE Version



Dual System Manifold

Single System Manifold Types

PART #	DESCRIPTION	PAGE #
PPM1	Manifold Assy with PPC1 Cell	15
PPM3	Manifold Assy with PPC3 Cell	15
PPM4	Manifold Assy with PPC4 Cell	15
PPM5	Manifold Assy with PPC5 Cell	15
PPM1M	Manifold Assy with PPC1 Cell and Metric Adapters	15
PPM3M	Manifold Assy with PPC3 Cell and Metric Adapters	15
PPM4M	Manifold Assy with PPC4 Cell and Metric Adapters	15
PPM5M	Manifold Assy with PPC5 Cell and Metric Adapters	15
APK0006	Spacer Cell for Maintenance	19

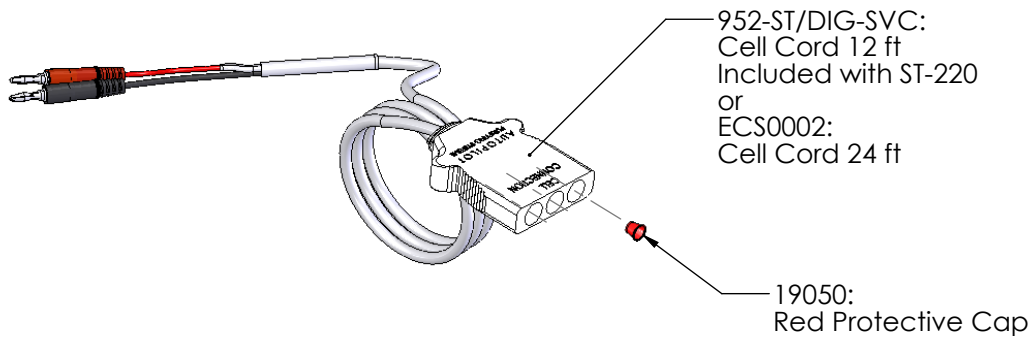
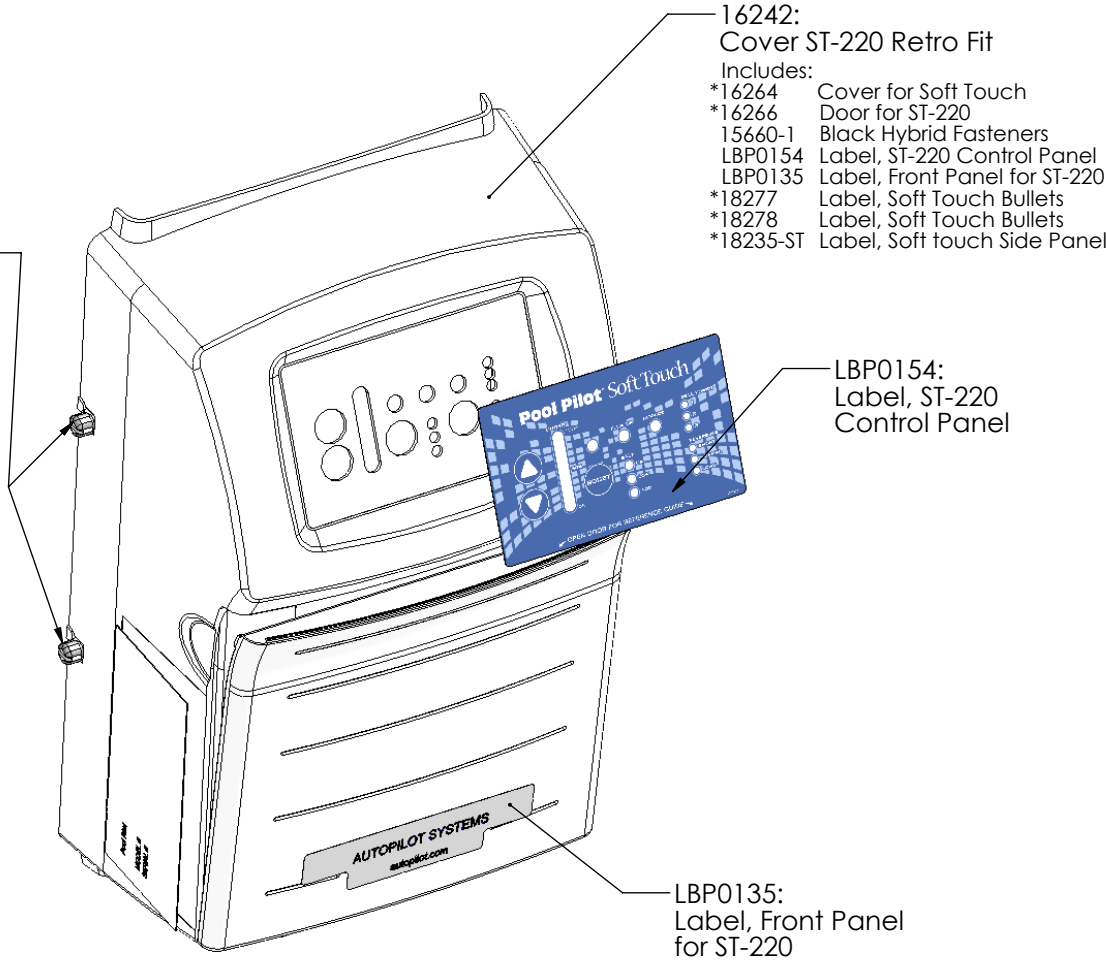
Dual System Manifold Types

PART #	DESCRIPTION	PAGE #
941-215C-A	Manifold Commercial	16
938-SC	Spacer Cell	19

Soft Touch

ST-220 Power Supply Parts

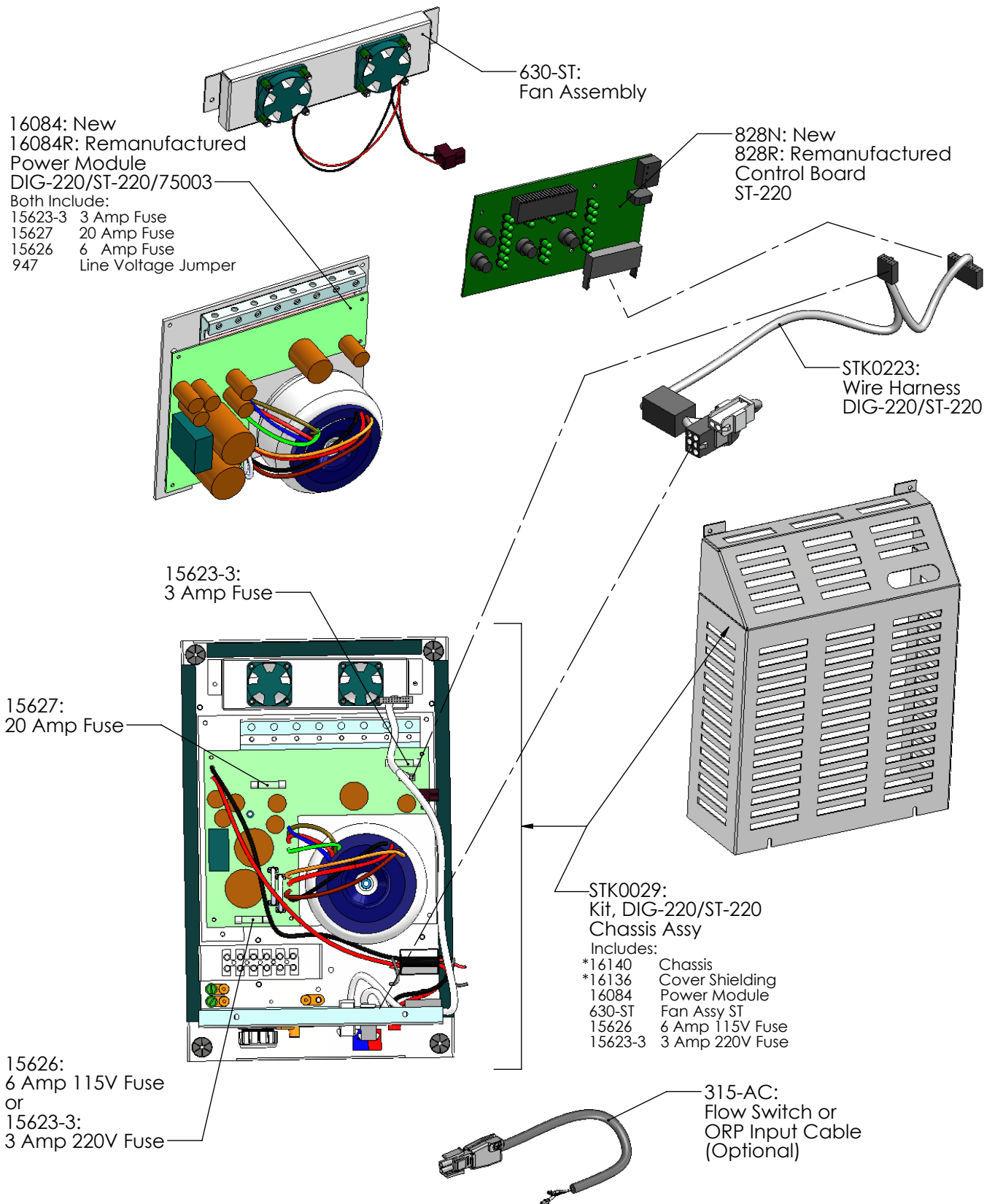
15660-1:
Thumbscrews
(4)



*Cannot be ordered separately

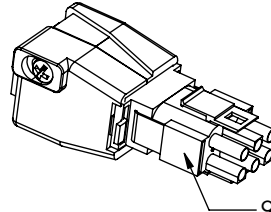
ST-220 Power Supply Parts

Soft Touch

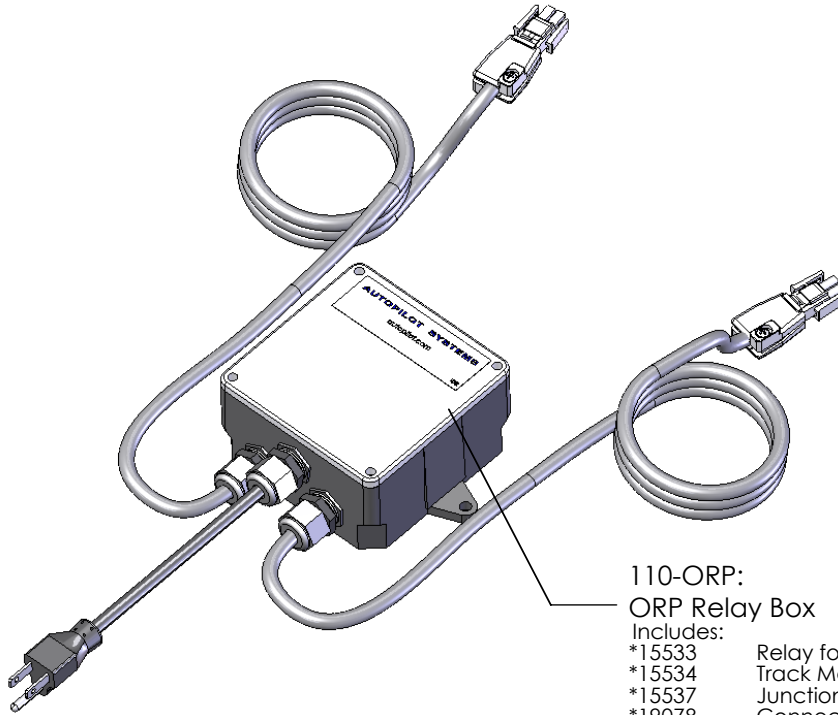


*Cannot be ordered separately

POWER SUPPLY ACCESSORIES



986-ST:
Tri-sensor Simulator
(Simulates APA0003)



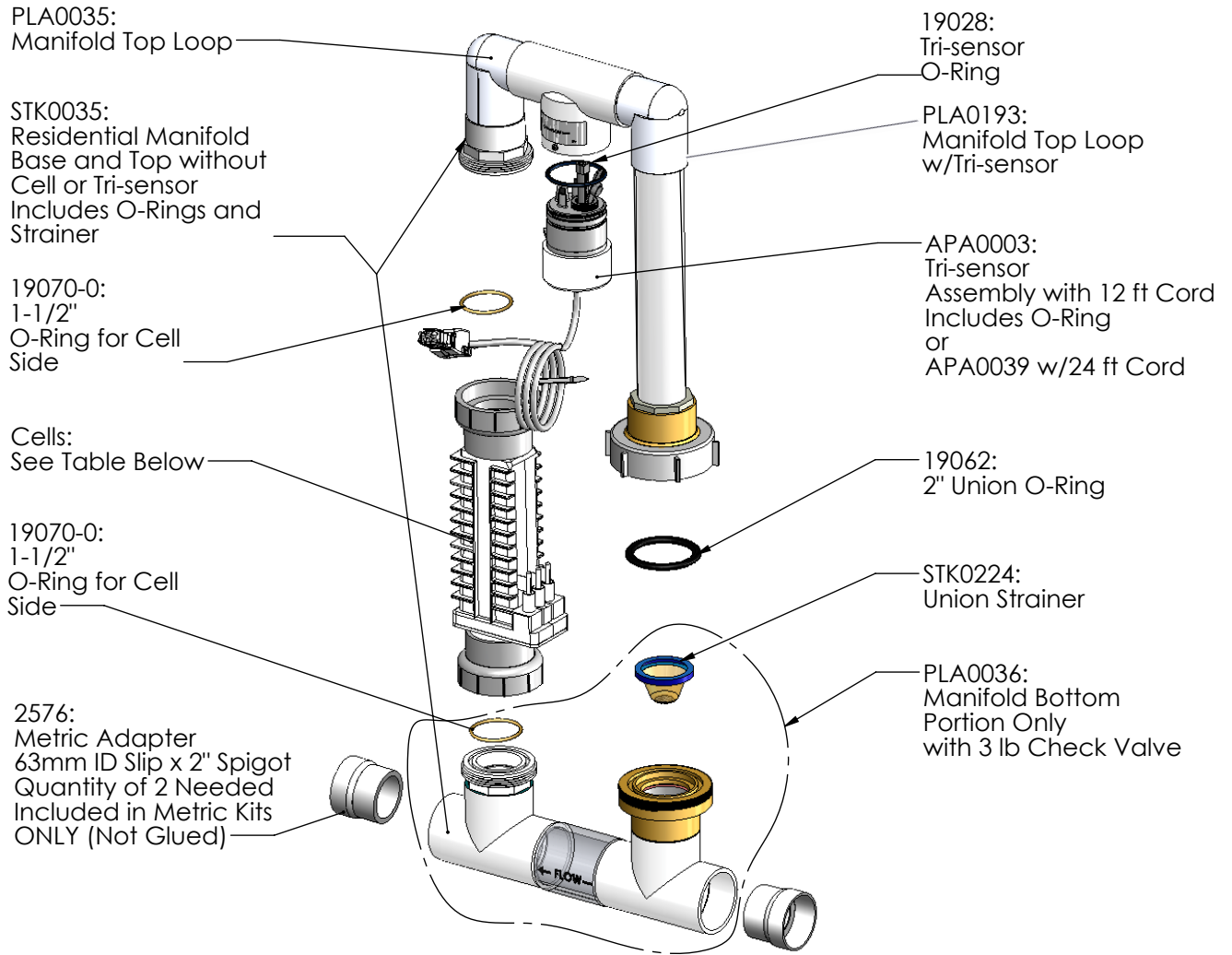
110-ORP:
ORP Relay Box

- Includes:
- *15533 Relay for ORP
 - *15534 Track Mount Socket
 - *15537 Junction Box 4x4x2
 - *19078 Connector Cable Clamp
 - *19078N Nut for Cable Clamp
 - *ECA0085 Flow Switch Cable Assy (12 ft),2X
 - *17220 Cord 110V #16 AWG (6 ft)
 - *15402-1 Screw(s) #6-32 x 1/4 PPMS SS
 - *ECP0069 Cable Clamp

*Cannot be ordered separately

SINGLE SYSTEM MANIFOLDS

Soft Touch

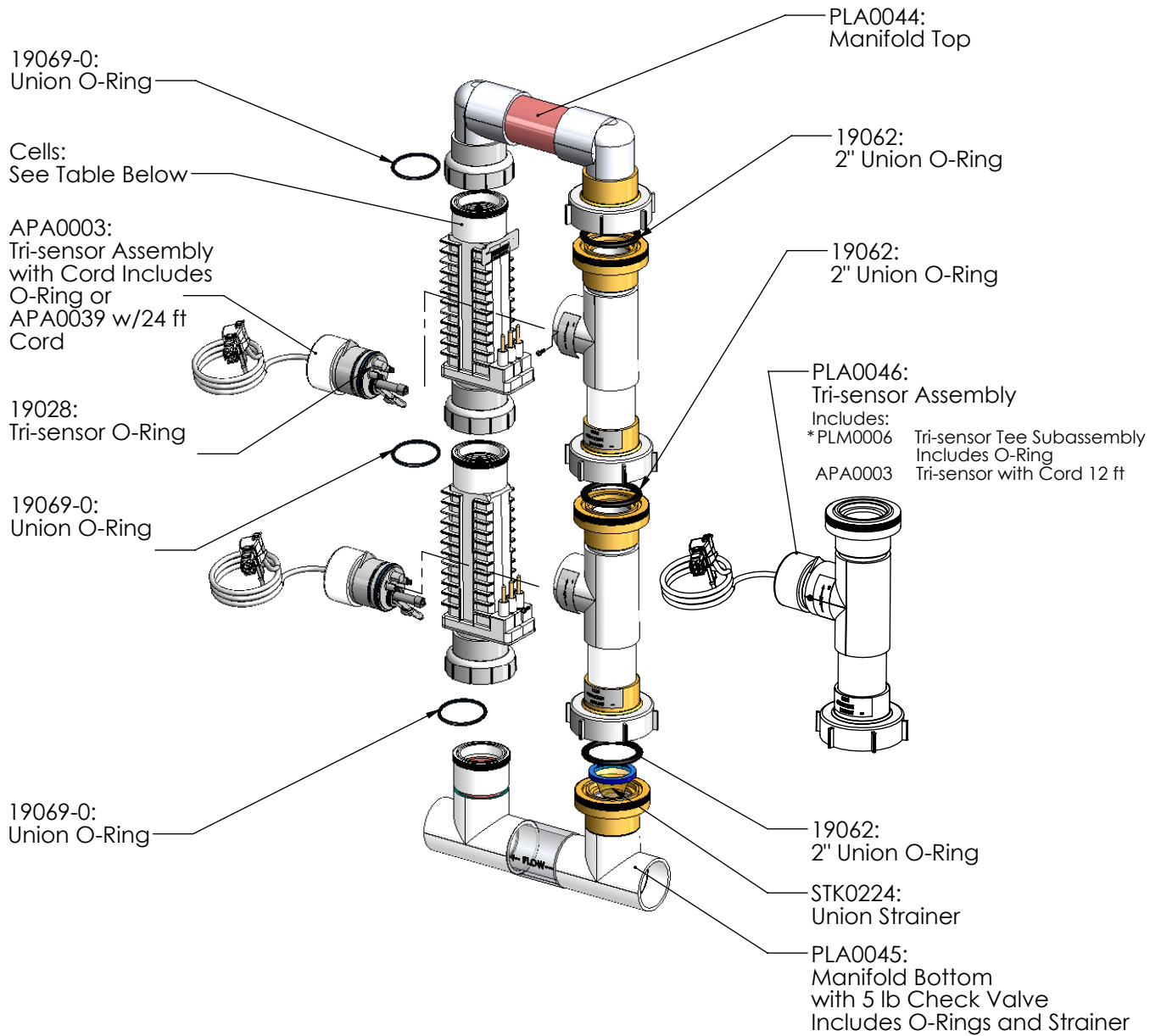


PART #	DESCRIPTION	PAGE #
PPM1	Manifold Assy with PPC1 Cell	17
PPM3	Manifold Assy with PPC3 Cell	17
PPM4	Manifold Assy with PPC4 Cell	17
PPM5	Manifold Assy with PPC5 Cell	17
PPM1M	Manifold Assy with PPC1 Cell and Metric Adapters	17
PPM3M	Manifold Assy with PPC3 Cell and Metric Adapters	17
PPM4M	Manifold Assy with PPC4 Cell and Metric Adapters	17
PPM5M	Manifold Assy with PPC5 Cell and Metric Adapters	17
APK0006	Spacer Cell for Maintenance	19

Soft Touch

MULTIPLE SYSTEM MANIFOLD

For Use With Dual Power Supply Systems

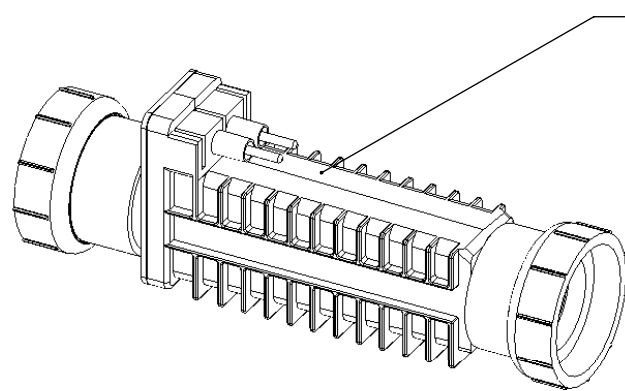


PART #	DESCRIPTION	PAGE #
941-215C-A	Manifold Commercial with 2 PPC5MF Cells	17
938-SC	Spacer Cell for Maintenance	19
To convert from dual to triple system, add PLA0046, PPC5MF and Power Supply of choice, ST-220/DIG-220/75003, typically ST-220 is used.		

*Cannot be ordered separately

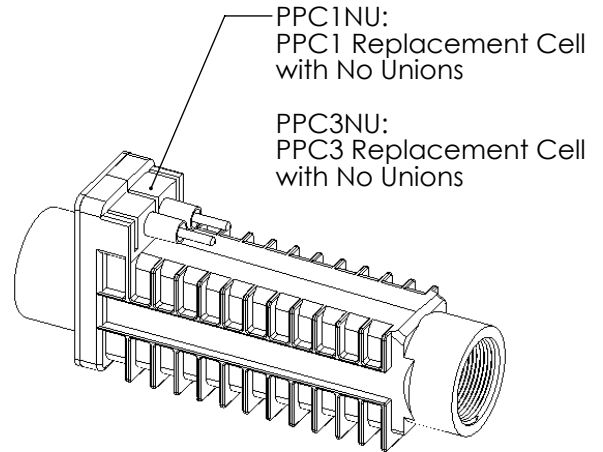
CELL OPTIONS

Soft Touch



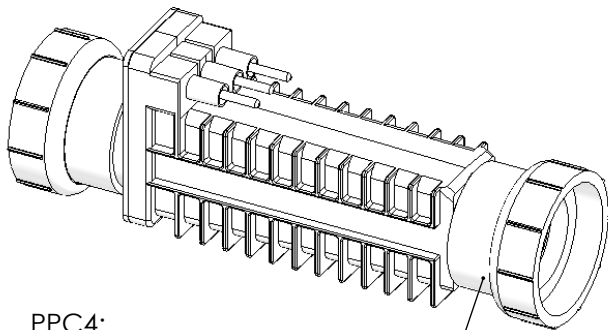
PPC1:
PPC1 Replacement Cell with Female Unions

PPC3:
PPC3 Replacement Cell with Female Unions



PPC1NU:
PPC1 Replacement Cell
with No Unions

PPC3NU:
PPC3 Replacement Cell
with No Unions

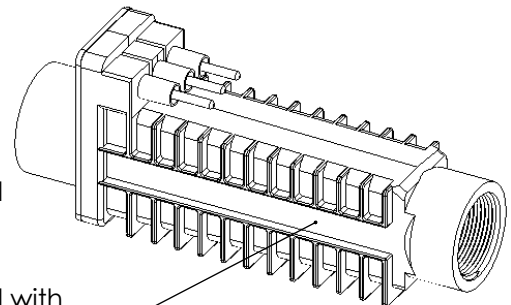


PPC4:
PPC4 Replacement Cell
with Female Unions

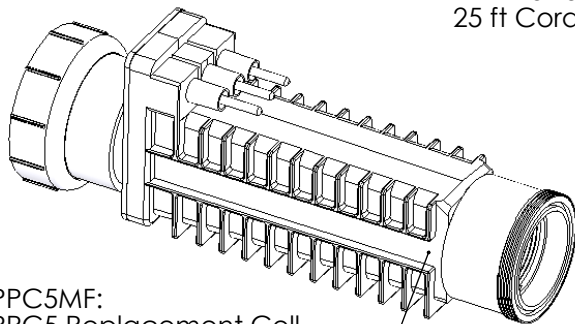
PPC5:
PPC5 Replacement Cell
with Female Unions
(Commercial)
for Single Cell Manifold

PPC4NU:
PPC4 Replacement Cell
with No Unions

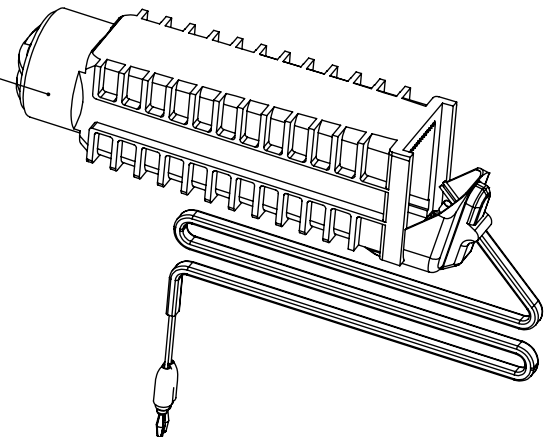
PPC5NU:
PPC5 Replacement Cell with
No Unions (Commercial)



PPC5BPCC25:
PPC5 Replacement Cell Convection
with Banana Plugs
25 ft Cord



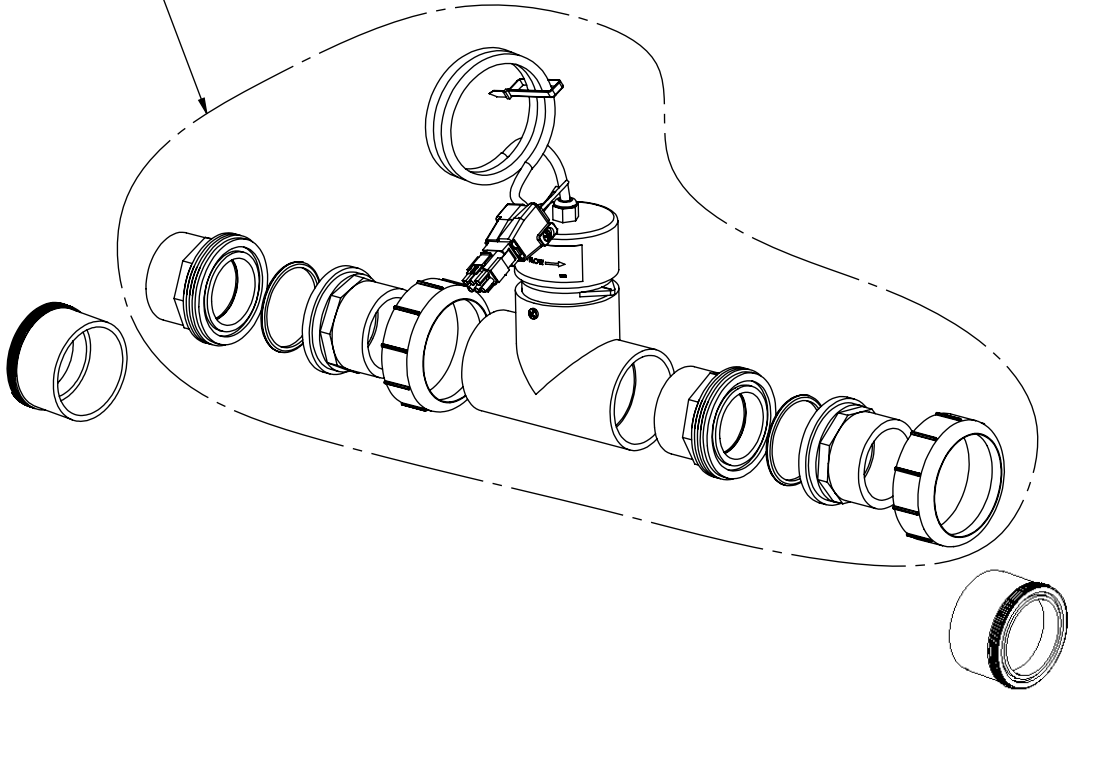
PPC5MF:
PPC5 Replacement Cell
Male/Female Unions
(Commercial)
for Multiple Cell Manifold
Includes O-Ring



Soft Touch MANIFOLD ACCESSORIES/TOOLS

APK0038:
Tri-sensor Assy for Convection Cell Applications

- Includes:
401-020 2" T Slip x Slip x Slip
312-A-SVC Union Nut
312-F 2" Spigot/1.5" Slip X Female Union
312-C-SVC Union Half, 1.5" Slip/2" Spigot x Male Thread Union
*15405 HDW Screw #6x1/2 PPSMS SS
APA0003 Tri-sensor with Cord Assy 12 ft

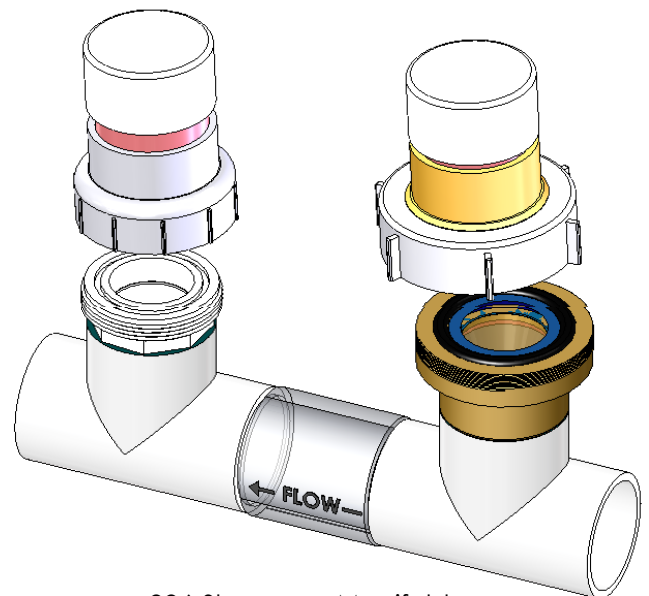
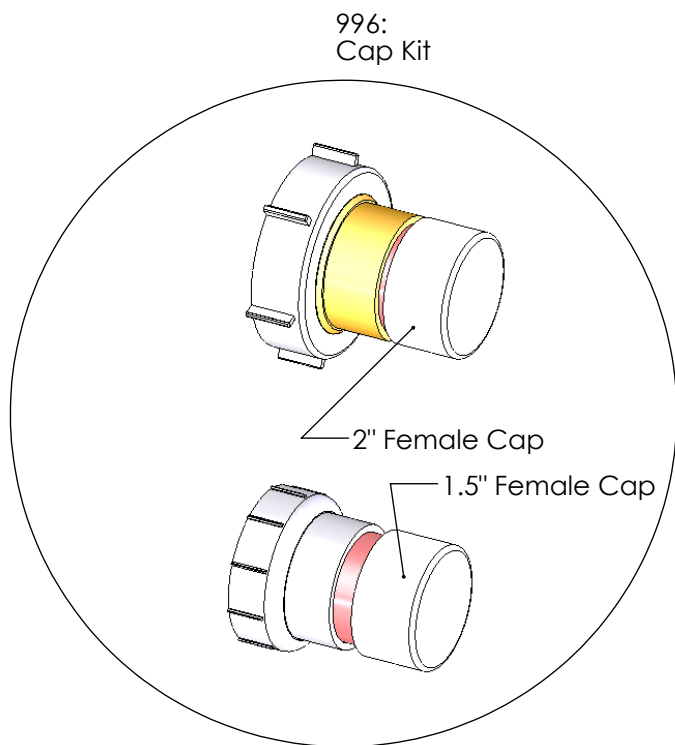
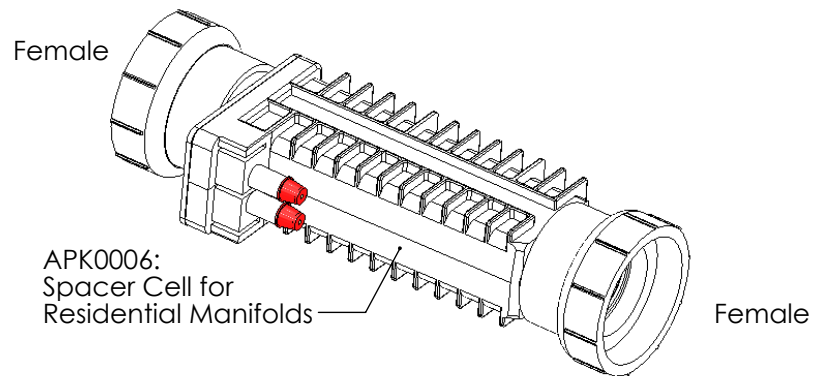
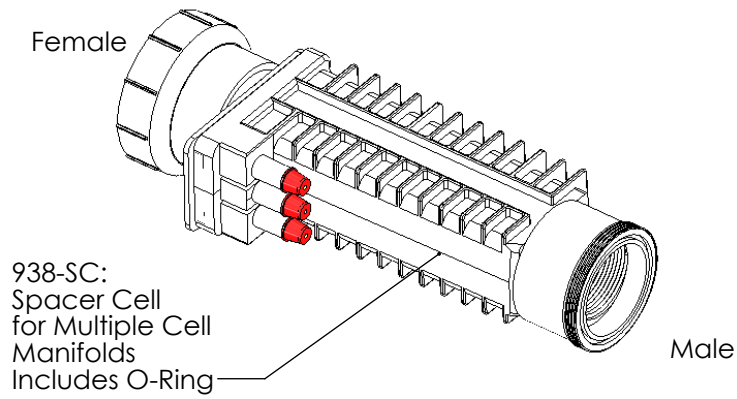


APA0065:
Inline Conversion Kit
Same as APK0038 Kit above but with additional two 312-D
Union Halves, 2" S x MT Union

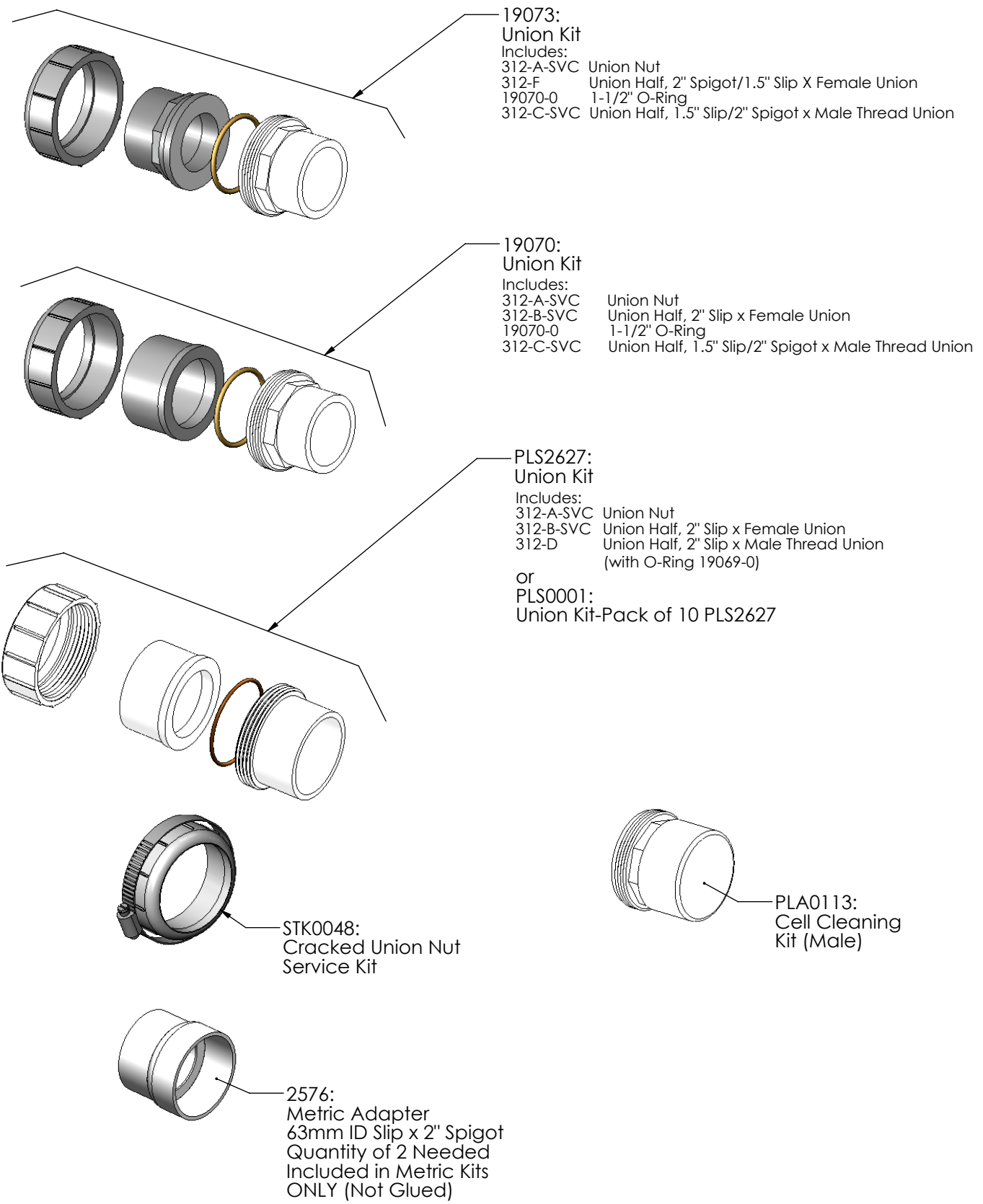
*Cannot be ordered separately

MANIFOLD ACCESSORIES/TOOLS

Soft Touch



MANIFOLD ACCESSORIES/TOOLS



19073:
 Union Kit
 Includes:
 312-A-SVC Union Nut
 312-F Union Half, 2" Spigot/1.5" Slip X Female Union
 19070-0 1-1/2" O-Ring
 312-C-SVC Union Half, 1.5" Slip/2" Spigot x Male Thread Union

19070:
 Union Kit
 Includes:
 312-A-SVC Union Nut
 312-B-SVC Union Half, 2" Slip x Female Union
 19070-0 1-1/2" O-Ring
 312-C-SVC Union Half, 1.5" Slip/2" Spigot x Male Thread Union

PLS2627:
 Union Kit
 Includes:
 312-A-SVC Union Nut
 312-B-SVC Union Half, 2" Slip x Female Union
 312-D Union Half, 2" Slip x Male Thread Union
 (with O-Ring 19069-0)

or
 PLS0001:
 Union Kit-Pack of 10 PLS2627

STK0048:
 Cracked Union Nut
 Service Kit

PLA0113:
 Cell Cleaning
 Kit (Male)

2576:
 Metric Adapter
 63mm ID Slip x 2" Spigot
 Quantity of 2 Needed
 Included in Metric Kits
 ONLY (Not Glued)