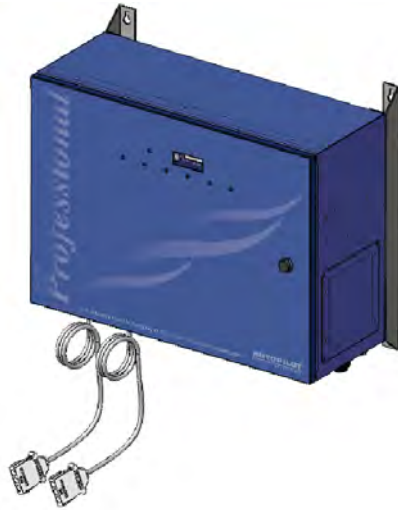
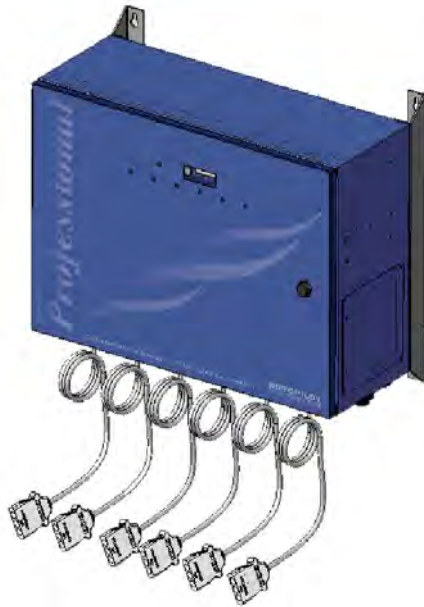
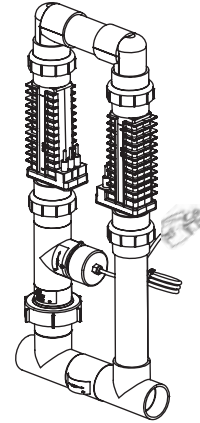


POOL PILOT® PROFESSIONAL

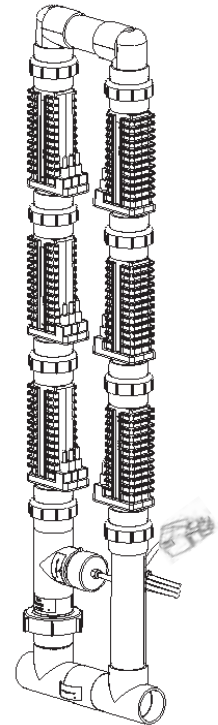
Professional



PRO2US:
Professional System
Includes:
78102A Professional Unit with 2 Power Modules
941-215AC Professional Manifold 2-Cells



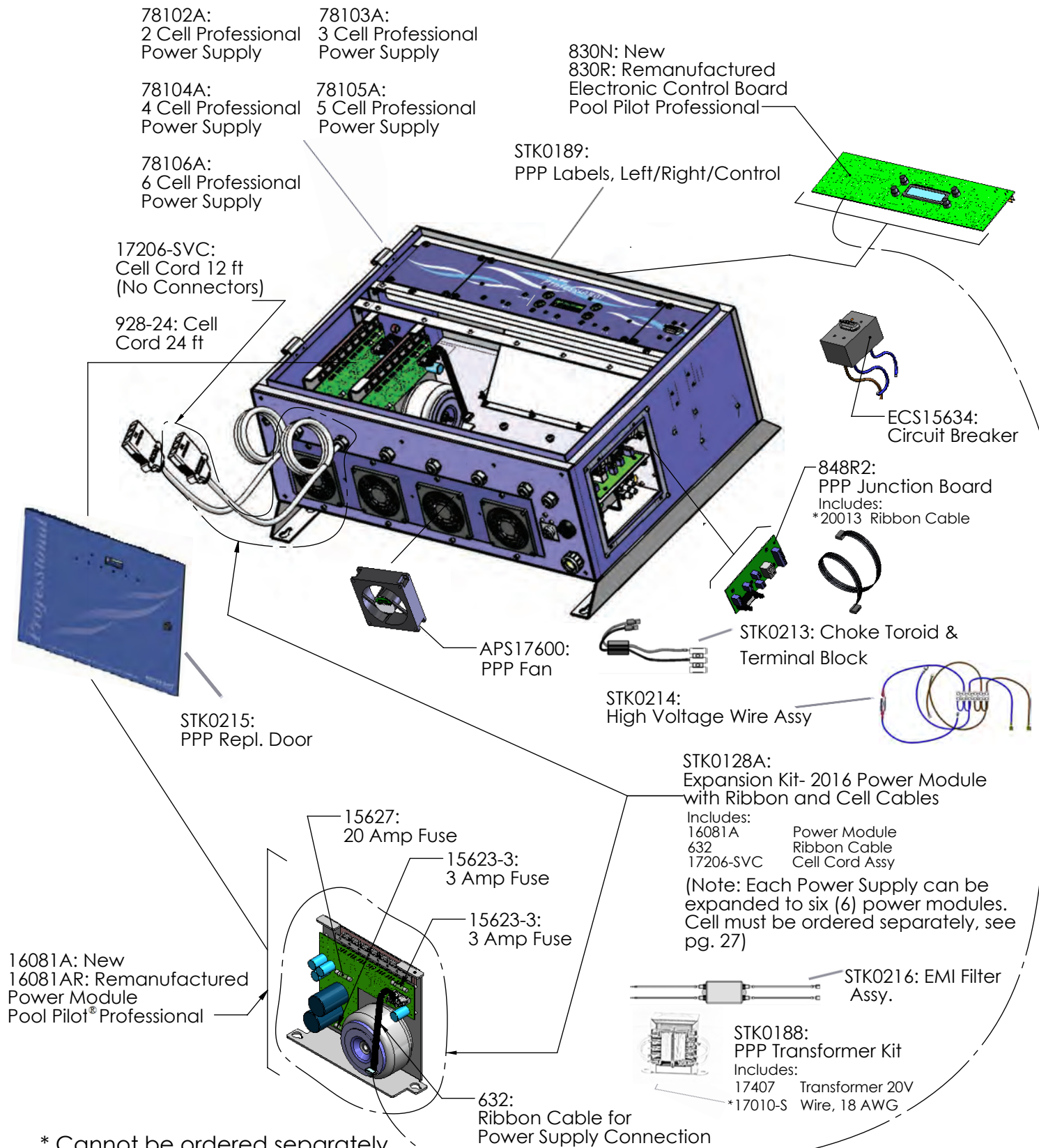
PRO6US:
Professional System
Includes:
78106A Professional Unit with 6 Power Modules
941-615AC Professional Manifold 6-Cells



Complete Systems

PART #	DESCRIPTION
PRO2US	Professional with 2 Power Modules & 2 Comm. Cell Manifold
PRO3US	Professional with 3 Power Modules & 3 Comm. Cell Manifold
PRO4US	Professional with 4 Power Modules & 4 Comm. Cell Manifold
PRO5US	Professional with 5 Power Modules & 5 Comm. Cell Manifold
PRO6US	Professional with 6 Power Modules & 6 Comm. Cell Manifold
PRO2EU	CE Professional with 2 Power Modules & 2 Comm. Cell Manifold
PRO3EU	CE Professional with 3 Power Modules & 3 Comm. Cell Manifold
PRO4EU	CE Professional with 4 Power Modules & 4 Comm. Cell Manifold
PRO5EU	CE Professional with 5 Power Modules & 5 Comm. Cell Manifold
PRO6EU	CE Professional with 6 Power Modules & 6 Comm. Cell Manifold

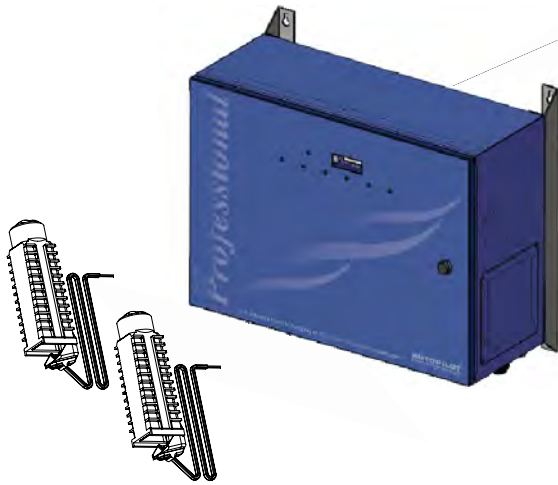
Professional POOL PILOT® PROFESSIONAL (PPP) Power Supply Parts For 78102A - 78106A (78102A Shown)



* Cannot be ordered separately

POOL PILOT® PROFESSIONAL CONVECTION SYSTEM

Professional



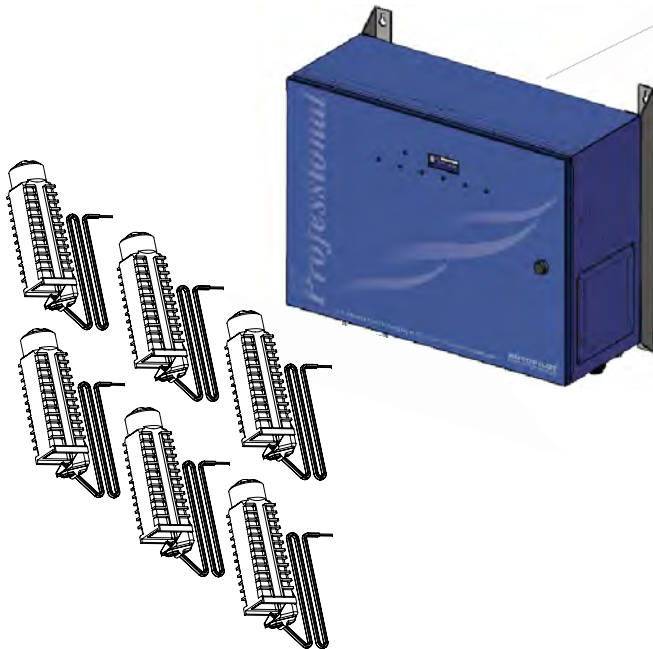
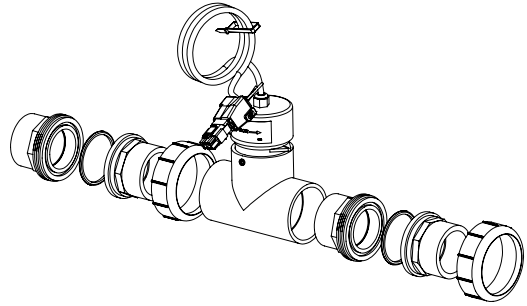
PRO2US-CONV:

Professional System

Includes:

78102A-CONV
PPC5BPCC25
APK0038

Professional Unit with (2) Power Modules
(2) Commercial Convection Cells
Tri-Sensor Assy for Convection Cell



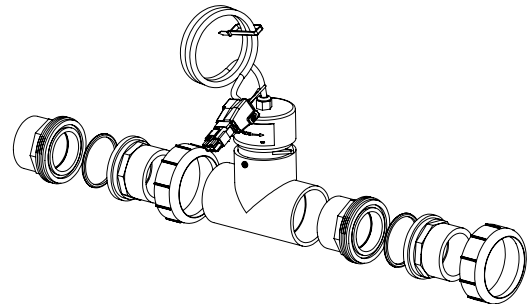
PRO6US-CONV:

Professional System

Includes:

78106A-CONV
PPC5BPCC25
APK0038

Professional Unit with (6) Power Modules
(6) Commercial Convection Cells
Tri-Sensor Assy for Convection Cell



Complete Systems

PART #	DESCRIPTION
PRO2US-CONV	Professional with 2 Power Modules, 2 Comm. Convection Cells & Tri-sensor Assy
PRO3US-CONV	Professional with 3 Power Modules, 3 Comm. Convection Cells & Tri-sensor Assy
PRO4US-CONV	Professional with 4 Power Modules, 4 Comm. Convection Cells & Tri-sensor Assy
PRO5US-CONV	Professional with 5 Power Modules, 5 Comm. Convection Cells & Tri-sensor Assy
PRO6US-CONV	Professional with 6 Power Modules, 6 Comm. Convection Cells & Tri-sensor Assy

Professional POOL PILOT® PROFESSIONAL (PPP)

Power Supply Parts For 78102A-CONV--78106A-CONV (78102A-CONV Shown)

78102A-CONV:
2 Cell Professional
Power Supply

78103A-CONV:
3 Cell Professional
Power Supply

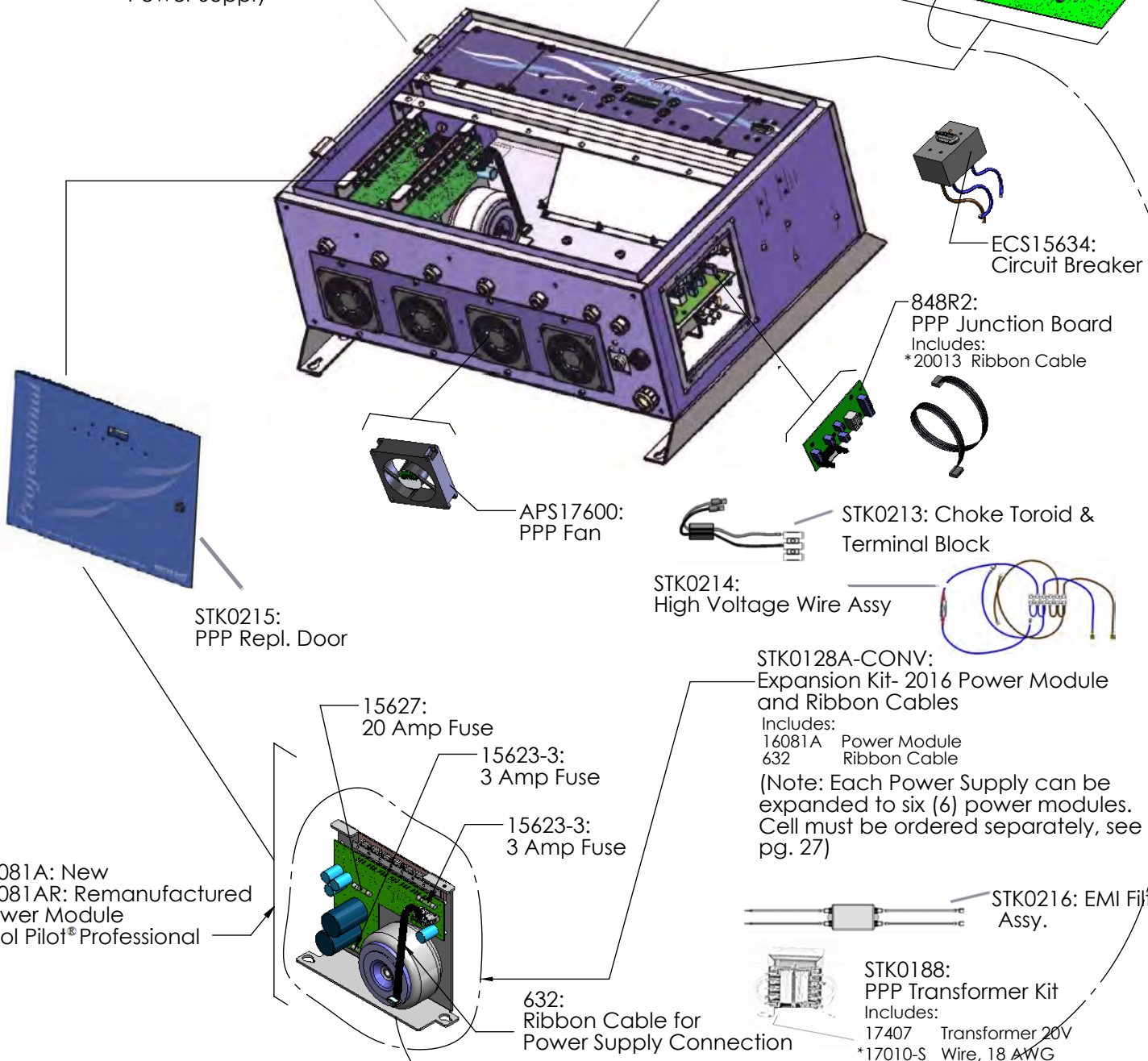
78104A-CONV:
4 Cell Professional
Power Supply

78105A-CONV:
5 Cell Professional
Power Supply

78106A-CONV:
6 Cell Professional
Power Supply

830N: New
830R: Remanufactured
Electronic Control Board
Pool Pilot Professional

STK0189:
PPP Labels, Left/Right/Control



STK0215:
PPP Repl. Door

APS17600:
PPP Fan

ECS15634:
Circuit Breaker

848R2:
PPP Junction Board
Includes:
*20013 Ribbon Cable

STK0213: Choke Toroid &
Terminal Block

STK0214:
High Voltage Wire Assy

STK0128A-CONV:
Expansion Kit- 2016 Power Module
and Ribbon Cables
Includes:
16081A Power Module
632 Ribbon Cable
(Note: Each Power Supply can be
expanded to six (6) power modules.
Cell must be ordered separately, see
pg. 27)

STK0216: EMI Filter
Assy.

632:
Ribbon Cable for
Power Supply Connection

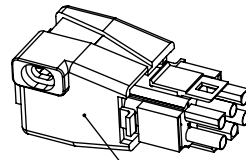
STK0188:
PPP Transformer Kit
Includes:
17407 Transformer 20V
*17010-S Wire, 18 AWG

16081A: New
16081AR: Remanufactured
Power Module
Pool Pilot® Professional

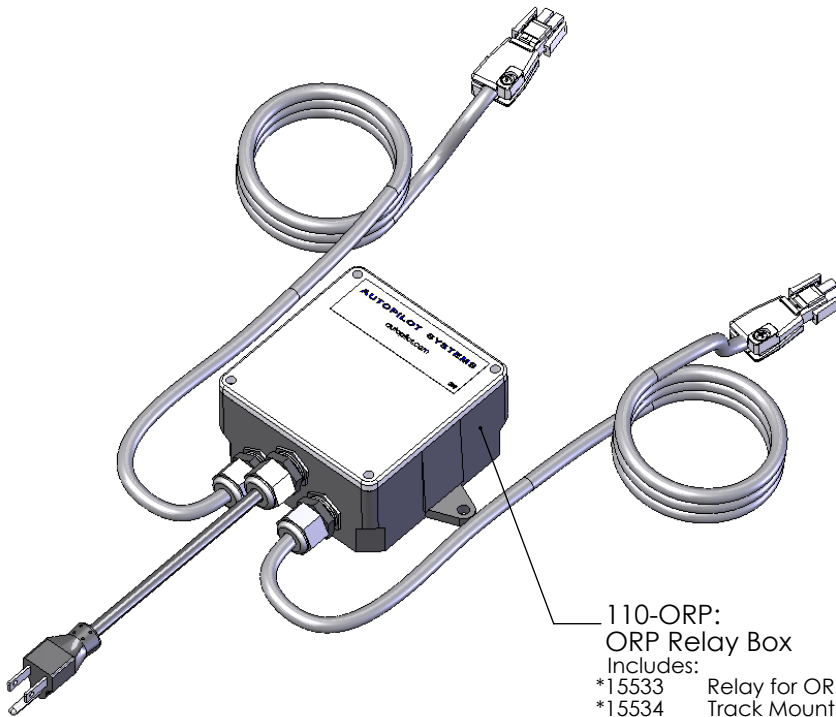
*Cannot be ordered separately

POWER SUPPLY ACCESSORIES

Professional



986-ST:
Tri-Sensor Simulator
(Simulates APA0003)



110-ORP:
ORP Relay Box

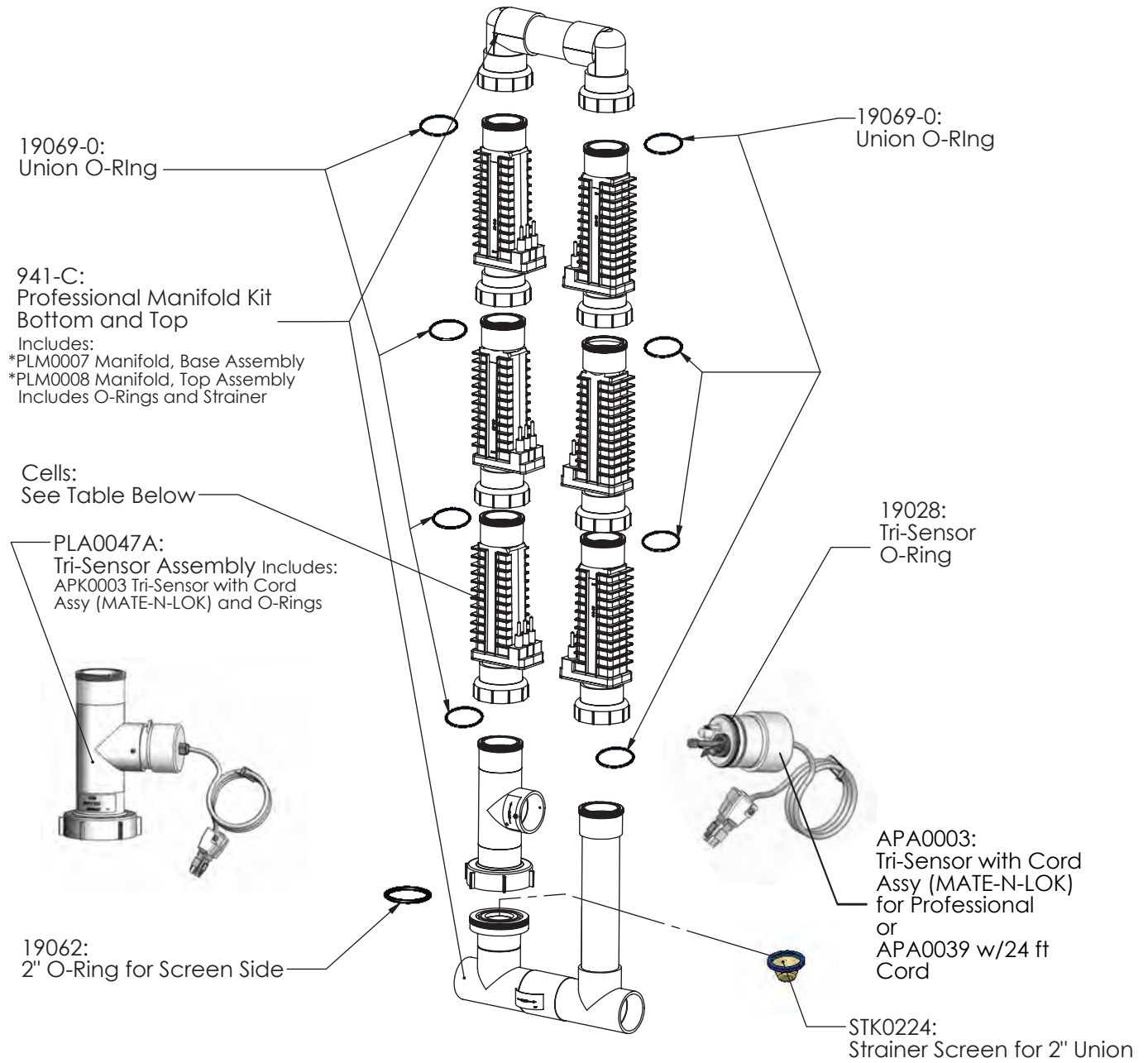
Includes:

- *15533 Relay for ORP
- *15534 Track Mount Socket
- *15537 Junction Box 4x4x2
- *19078 Connector Cable Clamp
- *19078N Nut for Cable Clamp
- *ECA0085 Flow Switch Cable Assy (12 ft), 2X
- *17220 Cord 110V #16 AWG (6 ft)
- *15402-1 Screw(s) #6-32 x 1/4 PPMS SS
- *ECP0069 Cable Clamp

* Cannot be ordered separately

Professional PROFESSIONAL SYSTEM MANIFOLDS

For 941-215AC - 941-615AC (941-615AC Shown)

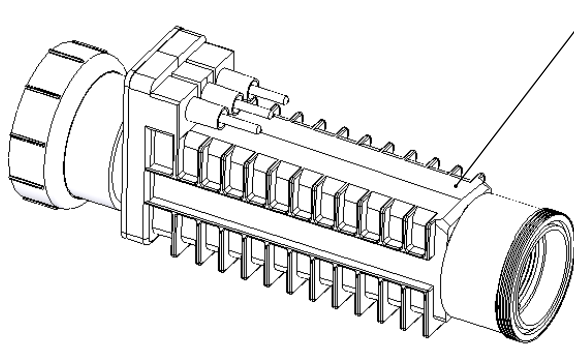


PART#	DESCRIPTION	PAGE #
941-215AC	Manifold Commercial with 2 PPC5MF Cells	27
941-315AC	Manifold Commercial with 3 PPC5MF Cells	27
941-415AC	Manifold Commercial with 4 PPC5MF Cells	27
941-515AC	Manifold Commercial with 5 PPC5MF Cells	27
941-615AC	Manifold Commercial with 6 PPC5MF Cells	27

*Cannot be ordered separately

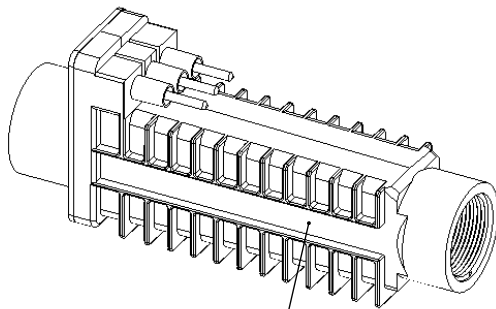
CELL OPTIONS

Professional

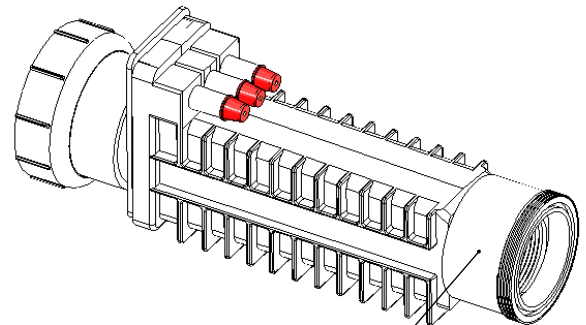


PPC5MF:
PPC5 Replacement Cell
Male/Female Unions
(Commercial)
for Multiple Cell Manifolds

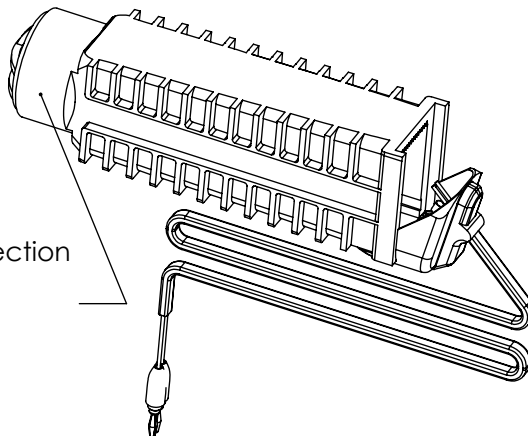
Note: When ordering STK0128A (see pg. 22 or 24) to expand a Professional System, also order one (1) PPC5MF per STK0128. If the number of PPC5MF cell(s) is odd in the completed Professional Manifold, then also order one (1) 938-SC Spacer Cell to bring the number of cells up to an even number, if the existing manifold does not already have a 938-SC. Each Professional Manifold can be expanded to six (6) cells.



PPC5NU:
PPC5 Replacement Cell with
No Unions (Commercial)



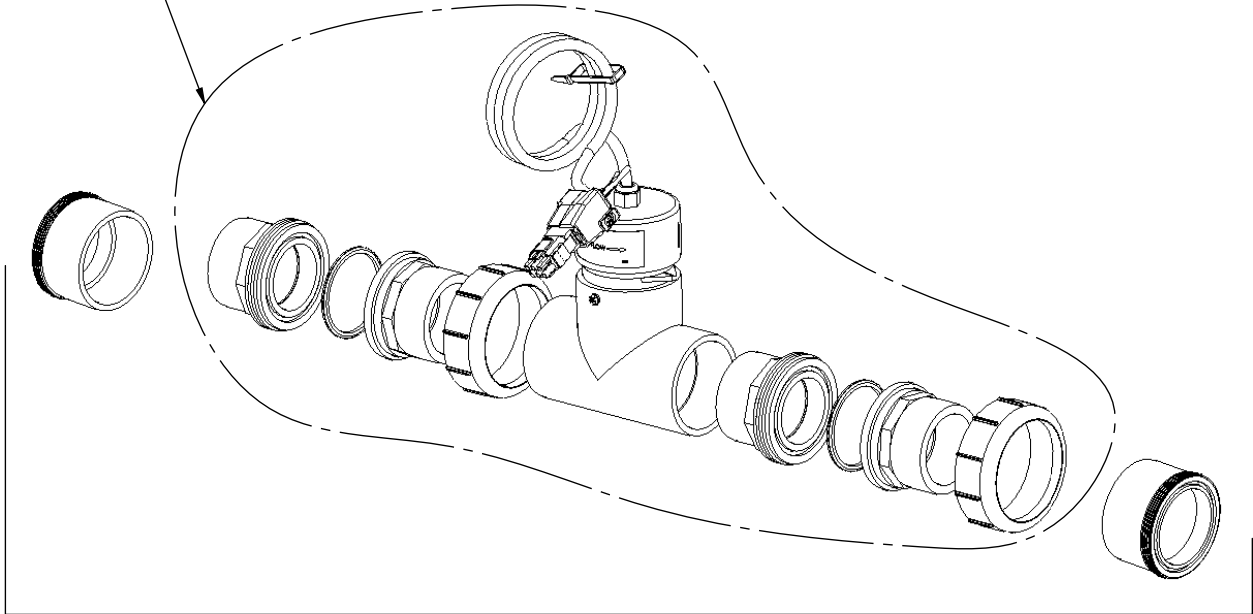
938-SC:
Spacer Cell
for Multiple Cell
Manifolds



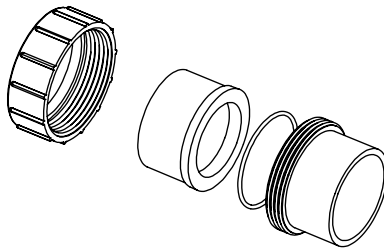
PPC5BPCC25:
PPC5 Replacement Cell Convection
with Banana Plugs
25 ft Cord

MANIFOLD ACCESSORIES/TOOLS

- APK0038:
 Tri-Sensor Assy for Convection Cell Applications
 Includes:
 401-020 2" T Slip x Slip x Slip
 312-A-SVC Union Nut
 312-F 2" Spigot/1.5" Slip X Female Union
 312-C-SVC Union Half, 1.5" Slip/2" Spigot x Male Thread Union
 * 15405 HDW Screw #6x1/2 PPSMS SS
 APA0003 Tri-Sensor with Cord Assy 12 ft



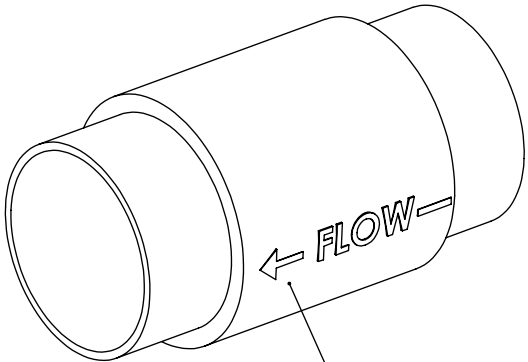
- APA0065:
 Inline Conversion Kit
 Same as APK0038 Kit above but with additional
 two 312-D Union Halves, 2" S x MT Union



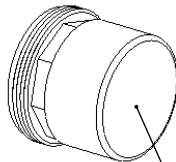
- PLS2627:
 Union Kit
 Includes:
 312-A-SVC Union Nut
 312-B-SVC Union Half, 2" Slip x Female Union
 312-D Union Half, 2" Slip x Male Thread Union (with O-Ring 19069-0)
 or
 PLS0001:
 Union Kit-Pack of 10 PLS2627

*Cannot be ordered separately

MANIFOLD ACCESSORIES/TOOLS Professional

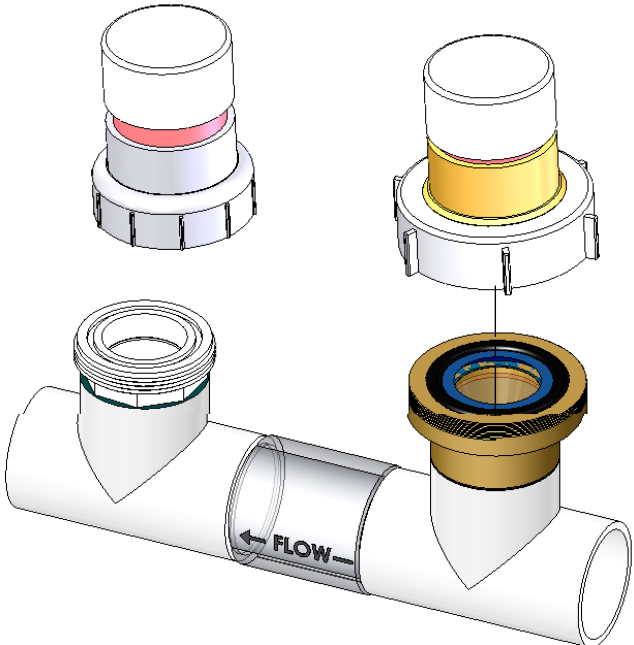
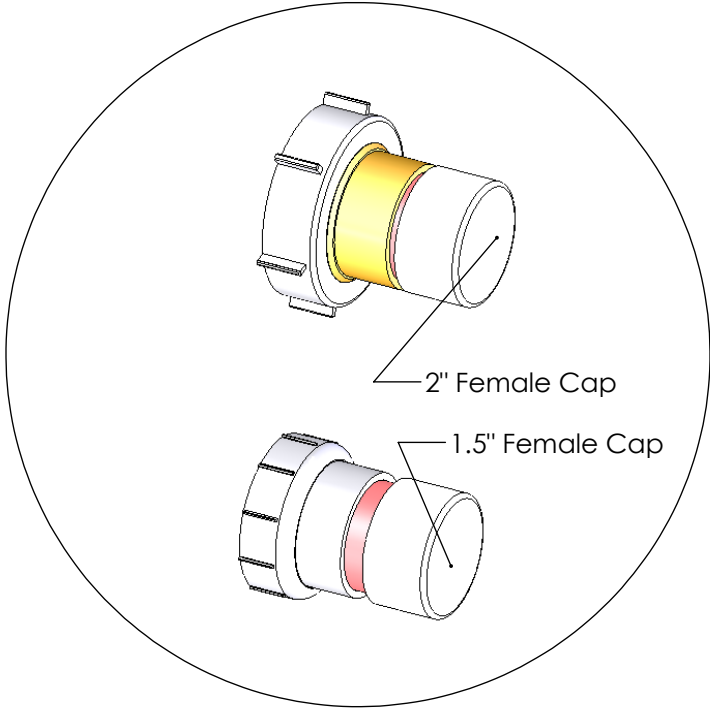


PLS19096:
2" Check Valve 5 lbs



PLA0113:
Cell Cleaning
Kit (Male)

996:
Cap Kit



996 Shown on Manifold
Base Assembly

