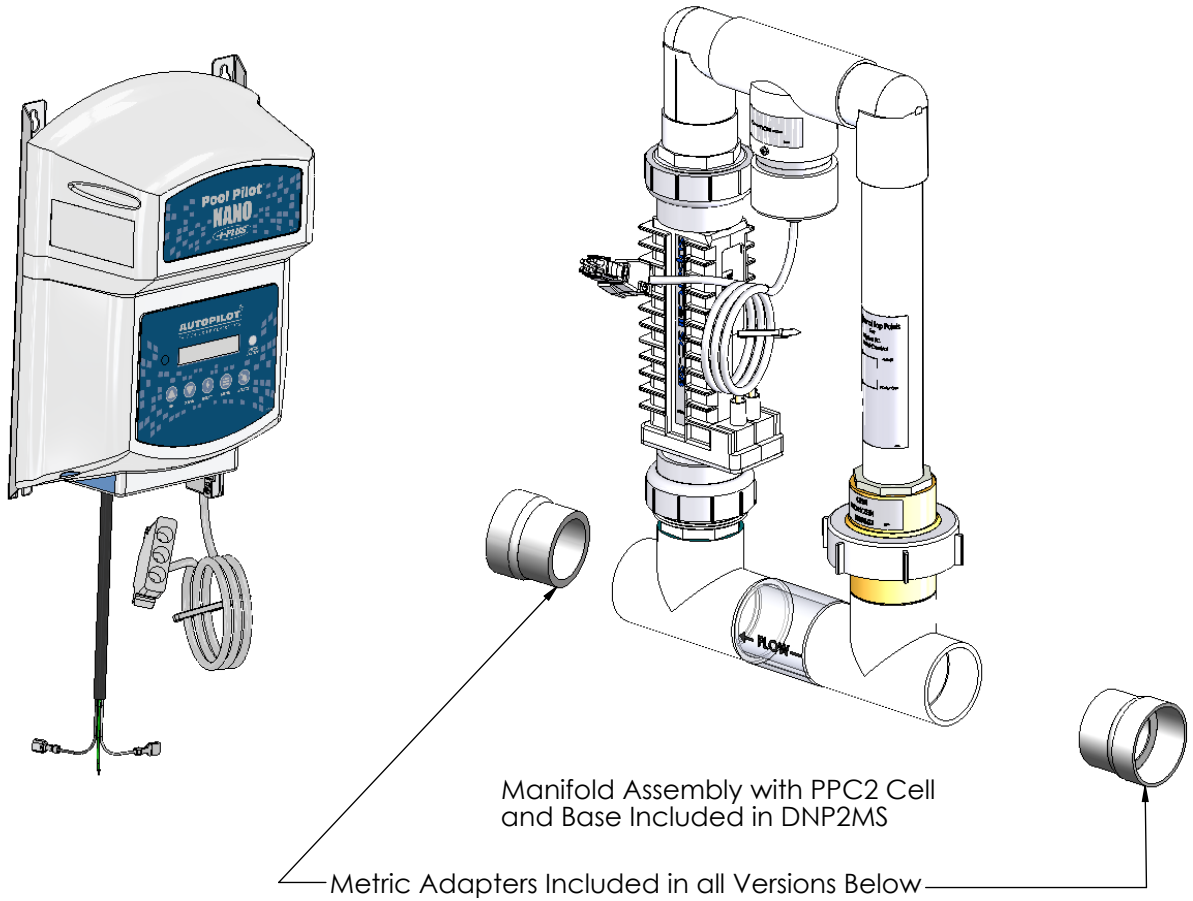


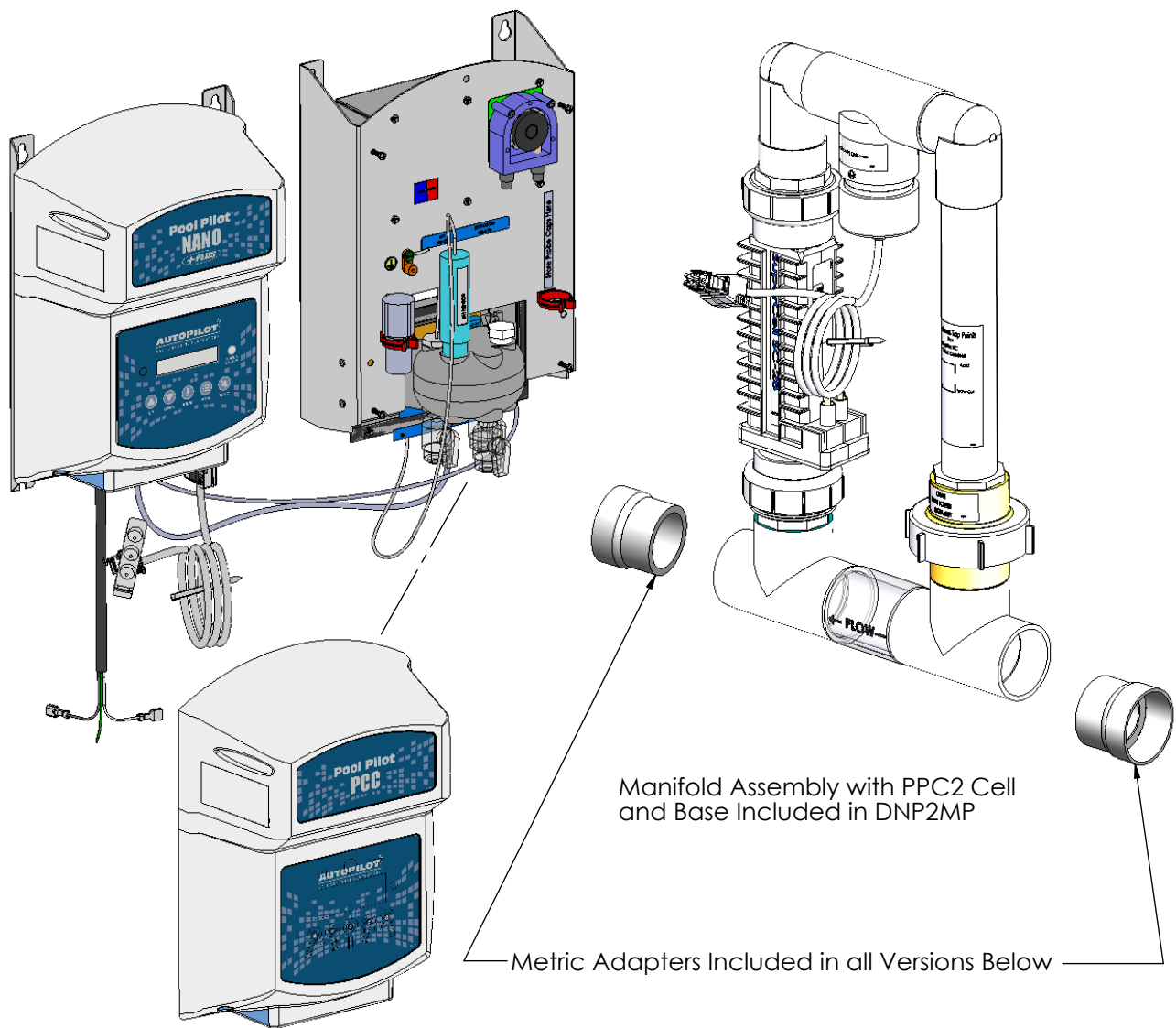
NANO⁺ PCC SYSTEMS

Nano⁺ PCC



PART #	DESCRIPTION
DNP2MS	Nano+, 220V with PPM2M Manifold, Cover Detect Switch and PCC Ready, with Metric Adapters Eng, Exp, Fra, Ger, Ita, Ces Languages

Nano⁺ PCC NANO⁺ PCC SYSTEMS
With Pool Chemistry Controller



PART #	DESCRIPTION
DNP2MP	Nano ⁺ , 220V with PPM2M Manifold, Cover Detect Switch, Peristaltic Pump, pH Probe and PCC ready, with Metric Adapters Eng, Esp, Fra, Ger, Ita, Ces Languages

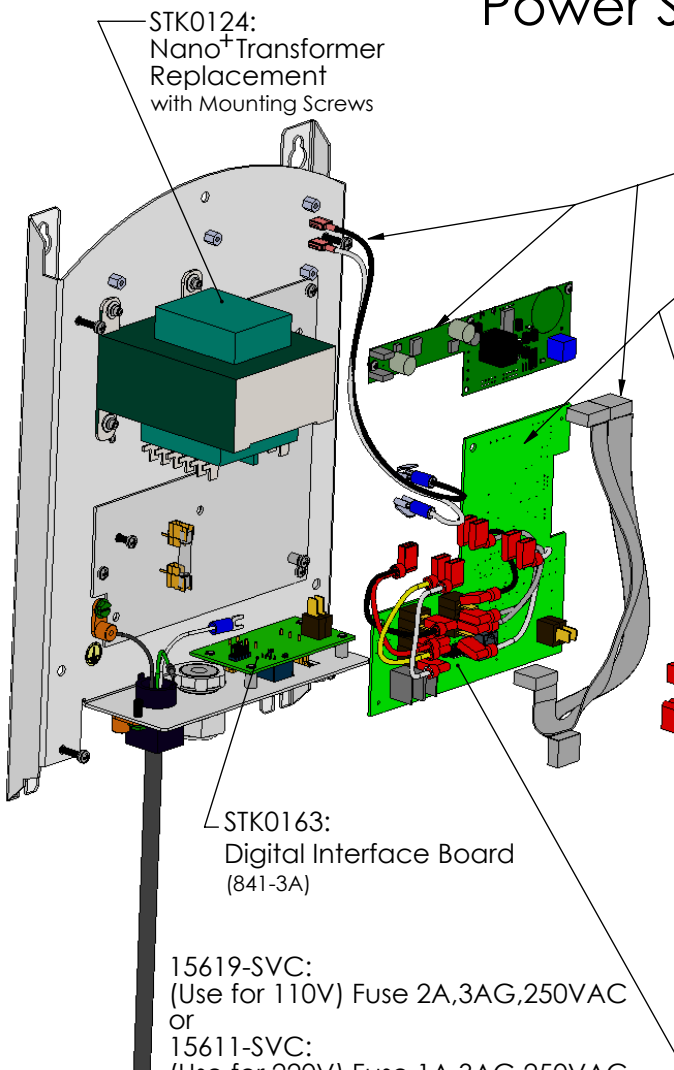


CAUTION: Sulfuric Acid is approved for dispensing by the Pool Chemistry Controller (PCC) Models 75054 and 75055. Muriatic/Hydrochloric Acid is **NOT** approved for dispensing by the PCC and will void warranty coverage if dispensed by the PCC.

NANO⁺ PCC SYSTEMS

Power Supply Parts

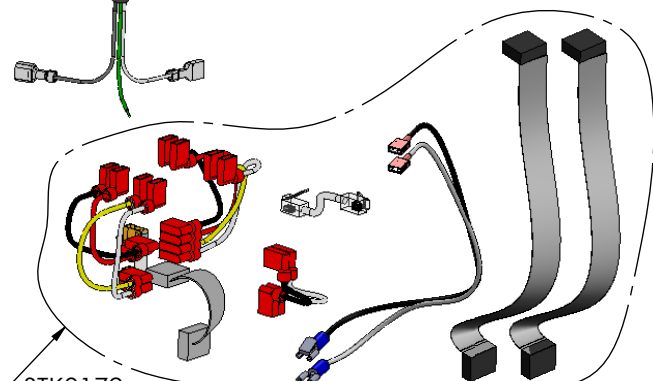
Nano⁺ PCC



STK0124:
Nano⁺ Transformer
Replacement
with Mounting Screws

STK0163:
Digital Interface Board
(841-3A)

15619-SVC:
(Use for 110V) Fuse 2A, 3AG, 250VAC
or
15611-SVC:
(Use for 220V) Fuse 1A, 3AG, 250VAC



STK0172:
Nano/Nano+ PCC Wire and Cable Replacement Kit

- Includes:
- | | | |
|--------------|--------------------------|------------|
| *04AK1800404 | Wire Assy 18 AWG, UL1007 | Black (2) |
| *04AW1800404 | Wire Assy 18 AWG, UL1007 | White (2) |
| *04AR1800404 | Wire Assy 18 AWG, UL1007 | Red (2) |
| *04AY1800404 | Wire Assy 18 AWG, UL1007 | Yellow (2) |
| *20007 | Ribbon Cable 10 CCT (1) | |
| ECP0063 | Modular Cable 12" (1) | |
| *ECA0352 | Ribbon Cable (2) | |
| *ECA0348 | 24V Power Cable to 863A | |

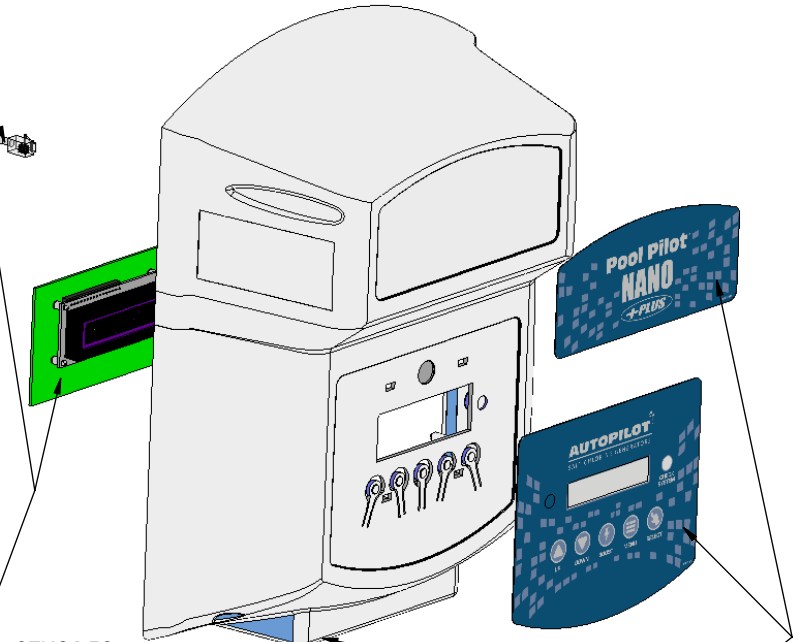
*Cannot be ordered separately

STK0156:
Kit for Nano Expansion Board

- Includes:
- *863A Expansion Board
 - *ECA0348 24V Power Cable to 863A
 - *FAP0217 Standoffs 4-40x1/4" (5)
 - *FAP0219 Screw #4-40x1/8" (5)
 - *FAP0056 Nut #4-40 Kept SS (5)
 - *ECA0352 Ribbon Cable (2)
 - *PCP0326 1/2" NPT Split Gland

STK0157:
Nano⁺ Power Supply
Board Replacement

- Includes:
- *CBA0001H Nano⁺ Power Supply PCC Ready
 - ECP0063 Modular Cable 12"
 - 15619-SVC Fuse 2A, 3AG, 250VAC (Spare-use for 110V)
 - 15611-SVC Fuse 1A, 3AG, 250VAC (Installed-use for 220V)
 - *15486 HDW Screw #6-32 x 5/16 (4)
 - STK0172 Nano/Nano⁺ PCC Wire and Cable Repl. Kit



STK0159:
Nano/Nano⁺ Display PC Board
Replacement Kit

- Includes:
- *841-2C Nano Display Board PCC Ready
 - ECP0063 Modular Cable 12"

STK0166:
Nano⁺ Cover Replacement Kit

- Includes:
- *PCP0150 Molded Cover for Nano
 - *LBP0267 Label, Nano Cover Control Panel
 - *LBP0270 Label, Nano⁺ Top Cover
 - *GKP0013 O-Ring Cord 3.5mm
 - *15403 HDW Screw #6-32 x 3/4 (4)
 - *GKP0111 O-Ring B1000-006

952-SVC:
Cell Cord 12 ft with 3 Pin
MATE-N-LOK Connector
Included with DNP2MS and DNP2MP
or
952-24:
Cell Cord 24 ft

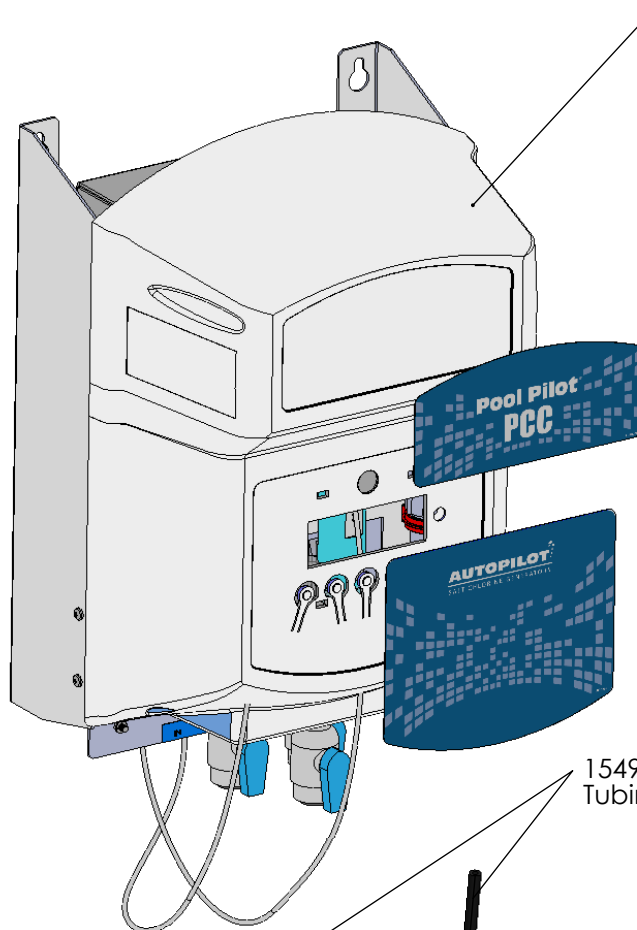


19050:
Red Protective Cap

Nano⁺ PCC

NANO⁺ PCC SYSTEMS

Pool Chemistry Controller Parts

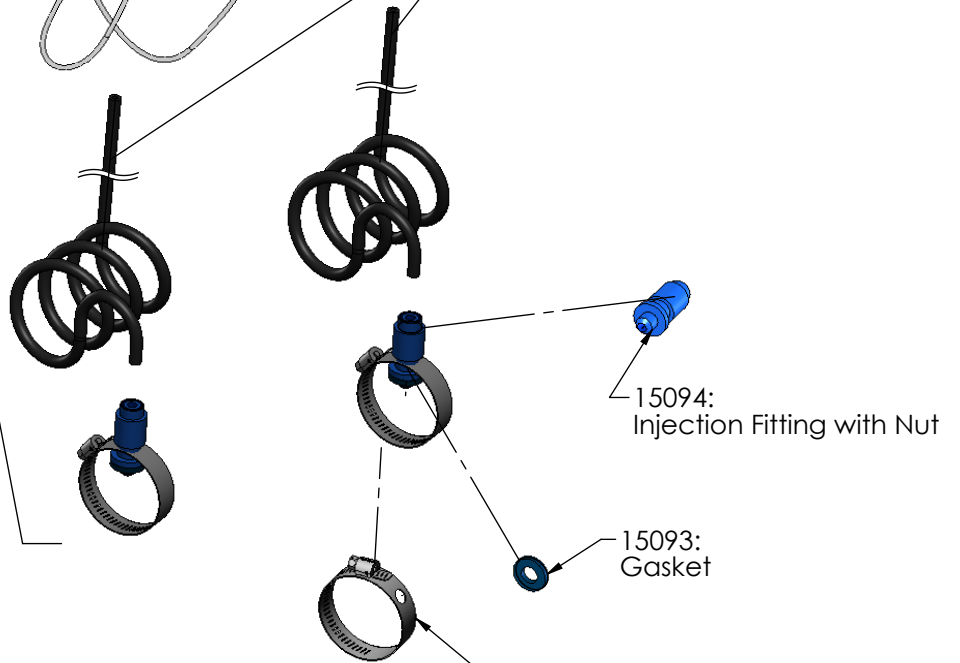


- STK0167:
Cover for Pool
Chemistry Controller
- Includes:
- *PCP0150 Cover
 - *LBP0268 Label, Top PCC
 - *LBP0269 Label, Bottom PCC
 - *18341 Label, 839 Box
 - *18346 Label, Sensor Cap
 - *LBP0276 Label, pH sensors and ORP
 - *LBP0275 Label, Service Valve
 - *18344 Label, Water Sample
 - *18340 Label, Sensor
 - *GKP0013 O-Ring Cord 3.5mm
 - *GKP0111 O-Ring B1000-006 (4)
 - *15403 Screw #6-32 x 3/4"

15495:
Tubing Polyethylene 1/4 ID, 25' Total

17013:
Accessory Kit For 75054/75055

- Includes:
- *331 Anchors (4)
 - *330-HEX HDW Screw #10 x 1 (4)
 - 15092 Saddle Clamp (2)
 - 15093 Gasket (2)
 - 15094 Injection Fitting (2)
 - 15495 Polyethylene Tubing
1/4" ID x 3/8" OD x 25'



15094:
Injection Fitting with Nut

15093:
Gasket

15092:
Saddle Clamp



CAUTION: Sulfuric Acid is approved for dispensing by the Pool Chemistry Controller (PCC) Models 75054 and 75055. Muriatic/Hydrochloric Acid is **NOT** approved for dispensing by the PCC and will void warranty coverage if dispensed by the PCC.

* Cannot be ordered separately

NANO⁺ PCC SYSTEMS

Pool Chemistry Controller Parts

Nano⁺ PCC

STK0173:
Top Box

- Includes:
 *MTA0141 Box Assy
 *9040 Screw, 6-32 x 3/8" (6)
 *INP0018 Gasket for Metal Box

STK0168:
Pump Kit

- Includes:
 *ECP0272 Peristaltic Pump
 *GKP0017 Pump Gasket
 *ECA0349 12V Pump Cable

ECS19150:
Flow Switch

19153:
Injection Flow Cell

ECS19151: pH Sensor

17555-SVC:
Ball Valve, 1/4" Male NPT to QC (3)

ECA0349:
12V Cable to Pump

17212-1:
Modular Cable

839N: New
839R: Remanufactured
ORP/pH Board

STK0164: Service Kit for PCC

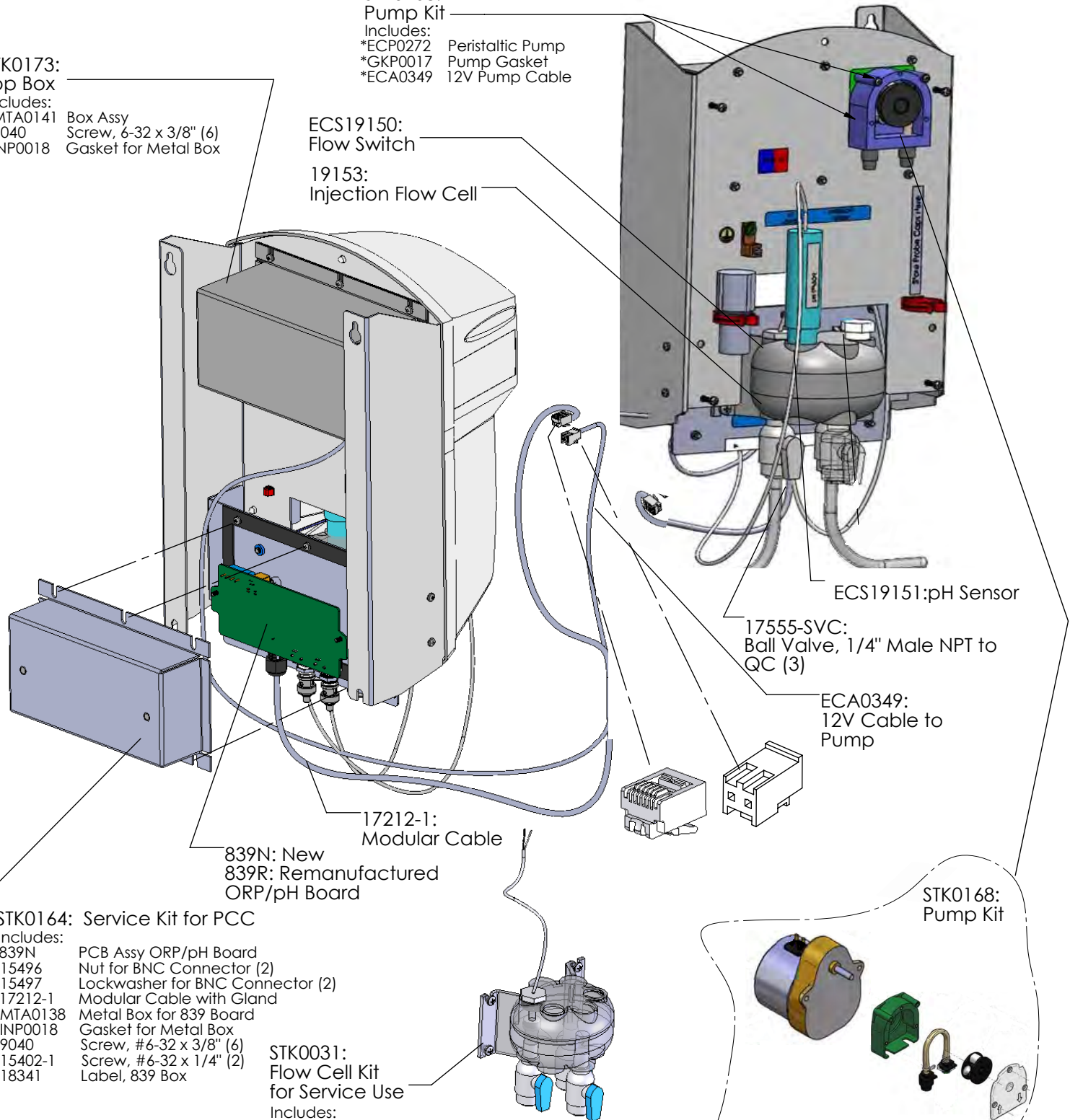
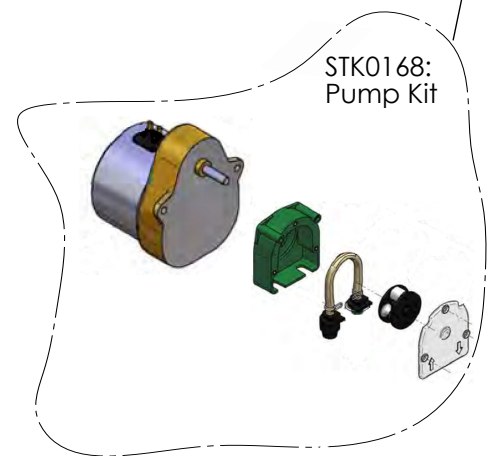
- Includes:
 839N PCB Assy ORP/pH Board
 *15496 Nut for BNC Connector (2)
 *15497 Lockwasher for BNC Connector (2)
 17212-1 Modular Cable with Gland
 *MTA0138 Metal Box for 839 Board
 *INP0018 Gasket for Metal Box
 *9040 Screw, #6-32 x 3/8" (6)
 *15402-1 Screw, #6-32 x 1/4" (2)
 *18341 Label, 839 Box

STK0031:
Flow Cell Kit
for Service Use

- Includes:
 19153 Flow Cell Injection
 ECS19150 Flow Switch Total Control
 17555-SVC Ball Valve 1/4 Male NPT to QC (3)
 *15657 HDW Screw #10-32 x 3/8 PPMS (4)
 *15432 HDW #10 Lock Washer (4)

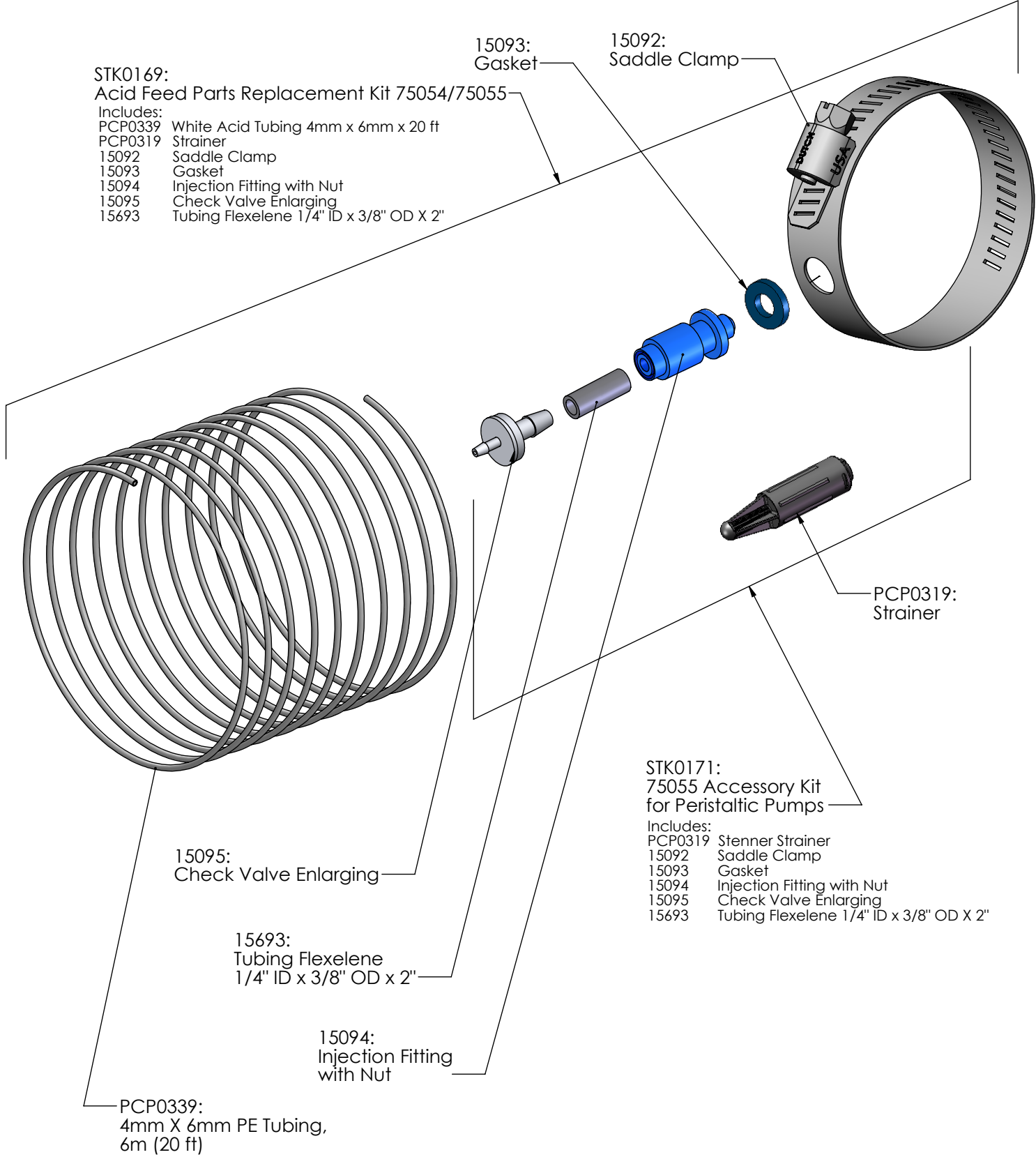
*Cannot be ordered separately

STK0168:
Pump Kit



Nano⁺ PCC NANO⁺ PCC SYSTEMS

Pool Chemistry Controller Parts



STK0169:
 Acid Feed Parts Replacement Kit 75054/75055
 Includes:
 PCP0339 White Acid Tubing 4mm x 6mm x 20 ft
 PCP0319 Strainer
 15092 Saddle Clamp
 15093 Gasket
 15094 Injection Fitting with Nut
 15095 Check Valve Enlarging
 15693 Tubing Flexelene 1/4" ID x 3/8" OD X 2"

15093:
 Gasket

15092:
 Saddle Clamp

PCP0319:
 Strainer

STK0171:
 75055 Accessory Kit
 for Peristaltic Pumps
 Includes:
 PCP0319 Stenner Strainer
 15092 Saddle Clamp
 15093 Gasket
 15094 Injection Fitting with Nut
 15095 Check Valve Enlarging
 15693 Tubing Flexelene 1/4" ID x 3/8" OD X 2"

15095:
 Check Valve Enlarging

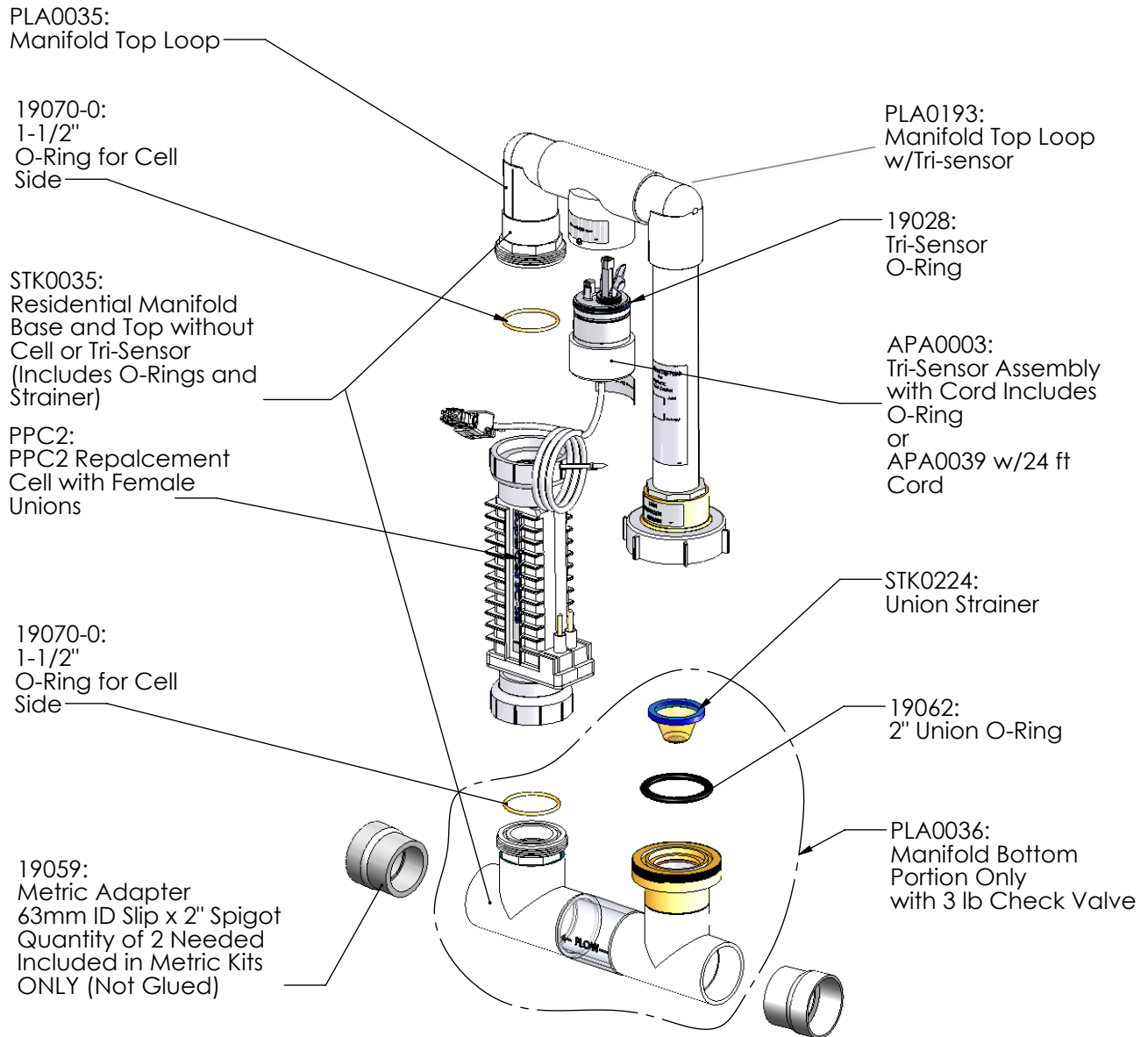
15693:
 Tubing Flexelene
 1/4" ID x 3/8" OD x 2"

15094:
 Injection Fitting
 with Nut

PCP0339:
 4mm X 6mm PE Tubing,
 6m (20 ft)

SINGLE SYSTEM MANIFOLDS

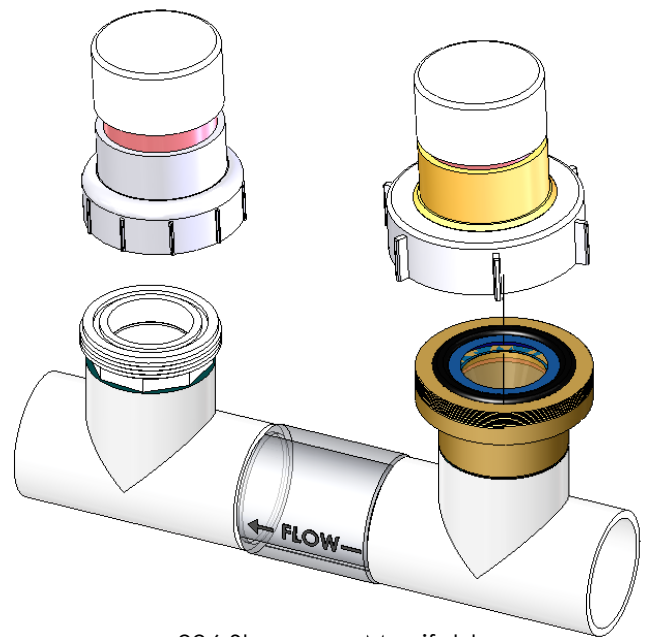
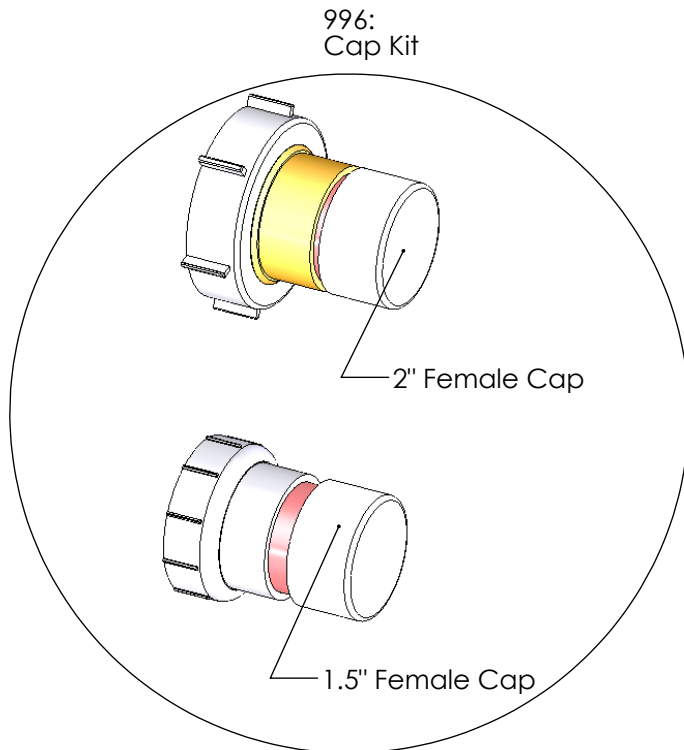
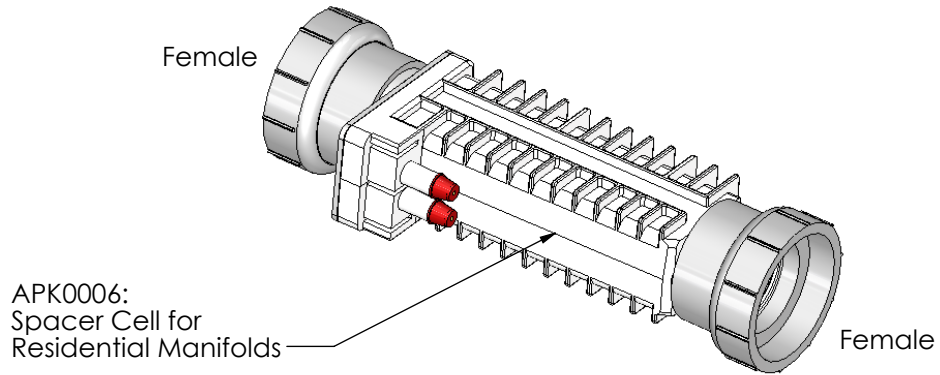
Nano⁺ PCC



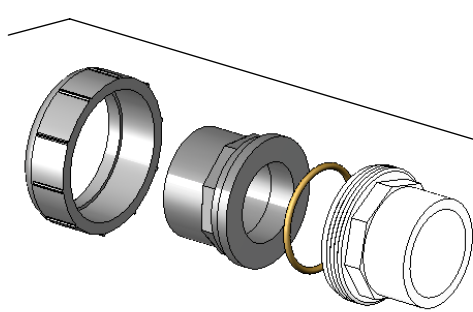
Single System Manifolds/Cells

PART #	DESCRIPTION
PPM2M	Manifold Assy with PPC2 Cell and Metric Adapters

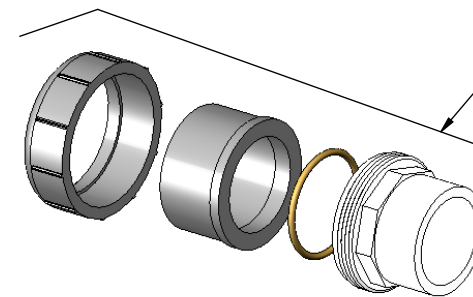
Nano+ PCC MANIFOLD ACCESSORIES/TOOLS



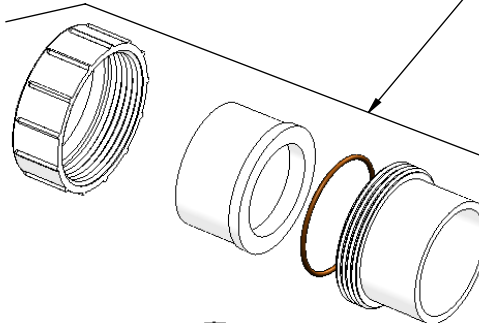
MANIFOLD ACCESSORIES/TOOLS Nano⁺ PCC



19073:
Union Kit
Includes:
312-A-SVC Union Nut
312-F Union Half, 2" Spigot/1.5" Slip X Female Union
19070-0 1-1/2" O-Ring
312-C-SVC Union Half, 1.5" Slip/2" Spigot x Male Thread Union

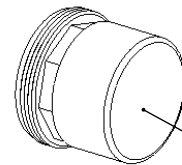


19070:
Union Kit
Includes:
312-A-SVC Union Nut
312-B-SVC Union Half, 2" Slip x Female Union
19070-0 1-1/2" O-Ring
312-C-SVC Union Half, 1.5" Slip/2" Spigot x Male Thread Union

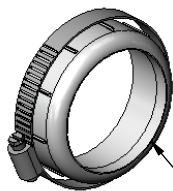


PLS2627:
Union Kit
Includes:
312-A-SVC Union Nut
312-B-SVC Union Half, 2" Slip x Female Union
312-D Union Half, 2" Slip x Male Thread Union (with O-Ring 19069-0)

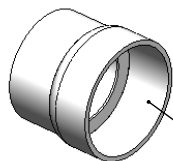
or
PLS0001:
Union Kit-Pack of 10 PLS2627



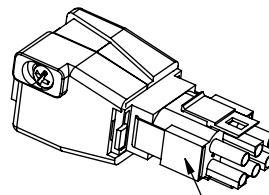
PLA0113:
Cell Cleaning Kit (Male)



STK0048:
Cracked Union Nut Service Kit



19059:
Metric Adapter
63mm ID Slip x 2" Spigot
Quantity of 2 Needed
Included in Metric Kits
ONLY (Not Glued)



986-ST:
Tri-Sensor Simulator
(Simulates APA0003)

