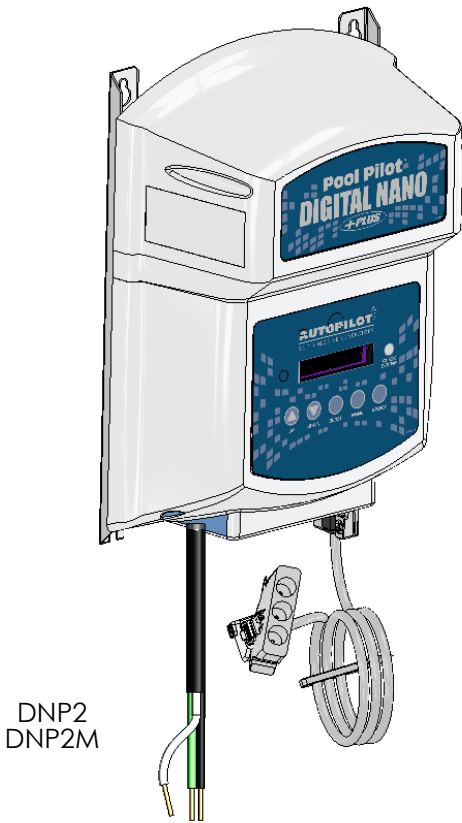
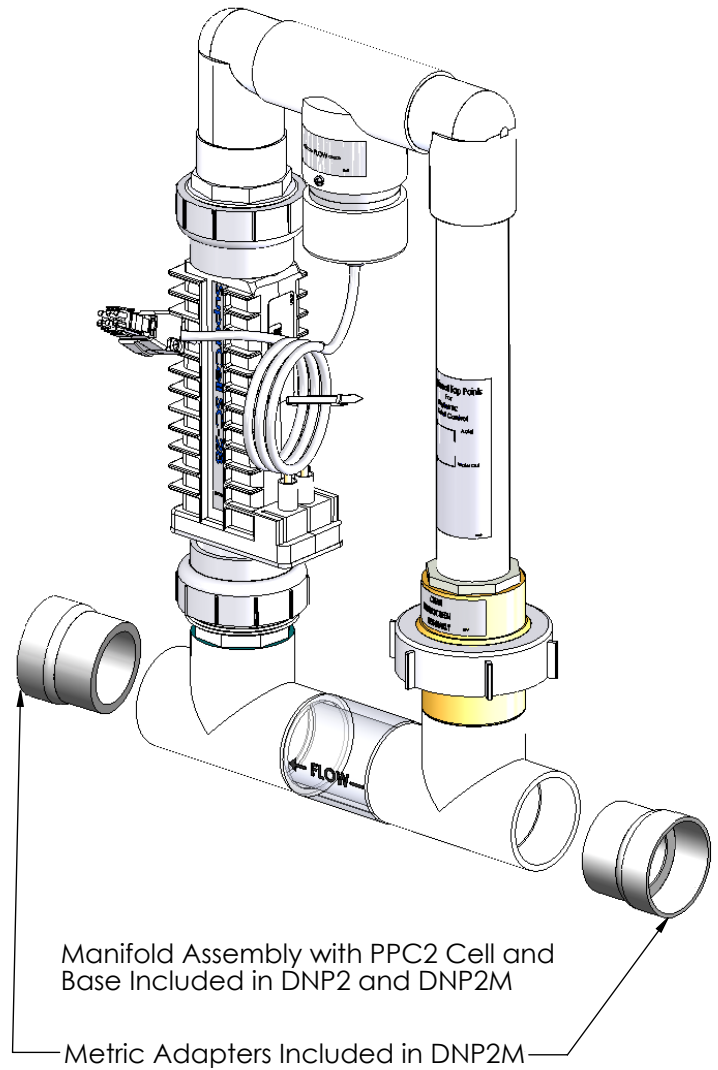


DIGITAL NANO⁺ SYSTEMS

Digital Nano⁺



DNP2
DNP2M



Manifold Assembly with PPC2 Cell and Base Included in DNP2 and DNP2M

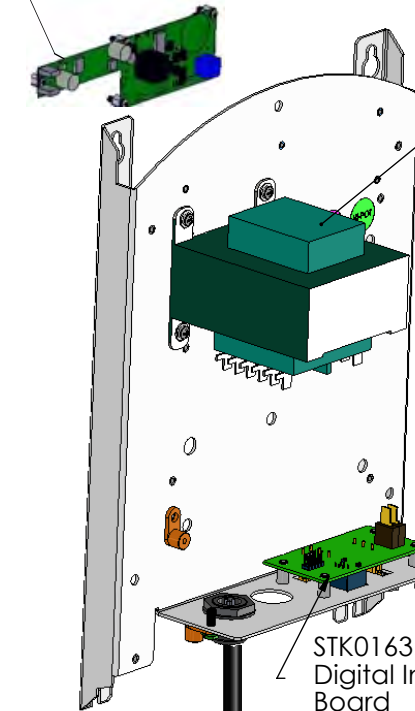
Metric Adapters Included in DNP2M

PART #	DESCRIPTION
DNP2	Digital Nano ⁺ , 110/220V with PPM2 Manifold, Eng, Esp, Fra, Ger, Ita, Ces Languages
DNP2M	Digital Nano ⁺ , 110/220V with PPM2M Manifold, Eng, Esp, Fra, Ger, Ita, Ces Languages

DIGITAL NANO⁺ SYSTEMS

Power Supply Parts

STK0156:
Kit for Nano Expansion Board:
See pg. 55 for parts breakdown



STK0124:
Nano⁺ Transformer
Replacement
with Mounting Screws

STK0123A:
Nano⁺ Power Supply
Board Replacement
Includes:
*CBA0001H Main Board Assy with 2 Amp Fuse
15619-SVC Fuse 2 A, 3AG, 250VAC (Installed-use for 110V)
15611-SVC Fuse 1 A, 3AG, 250VAC (Spare-use for 220V)
*15486 HDW Screw #6-32 x 5/16 (4)
STK0066 Nano/Nano⁺ Wire and Cable Replacement

STK0163:
Digital Interface
Board
(841-3A)

STK0220:
Power Cord Kit
220V

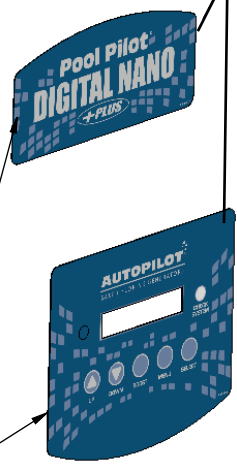
STK0196:
Power Cord
Kit 110V

STK0242: Nano⁺ Cover
Label Kit
Includes:
*LBP0237 Label, Nano⁺
Top Cover
*LBP0109 Label, Nano
Cover Control

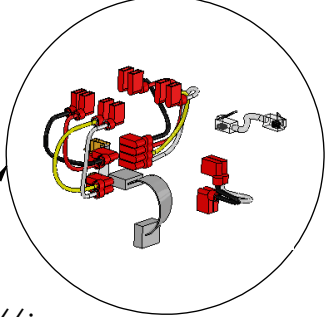


STK0159:
Nano/Nano⁺ Display PC Board
Replacement Kit
Includes:
*841-2C Nano Display
ECP0063 Modular Cable 12"

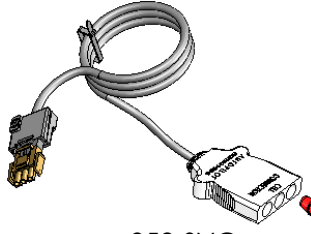
STK0125:
Nano⁺ Cover Replacement Kit
Includes:
*PCP0150 Molded Cover for Nano
*LBP0109 Label, Nano Cover Control
*LBP0237 Label, Nano⁺ Top Cover
*GKP0013 O-Ring Cord 3.5mm
*15403 HDW Screw #6-32 x 3/4 (4)
*GKP0111 O-Ring B1000-006 (4)



15619-SVC:
(Use for 110V) Fuse 2A,3AG,250VAC
15611-SVC:
(Use for 220V) Fuse 1A,3AG,250VAC



STK0066:
Nano/Nano⁺ Wire and Cable Replacement Kit
Includes:
*04AK1800404 Wire Assy 18 AWG, UL1007 Black (2)
*04AW1800404 Wire Assy 18 AWG, UL1007 White (2)
*04AR1800404 Wire Assy 18 AWG, UL1007 Red (2)
*04AY1800404 Wire Assy 18 AWG, UL1007 Yellow (2)
*20007 Ribbon Cable 10 CCT (1)
ECP0063 Modular Cable 12" (1)



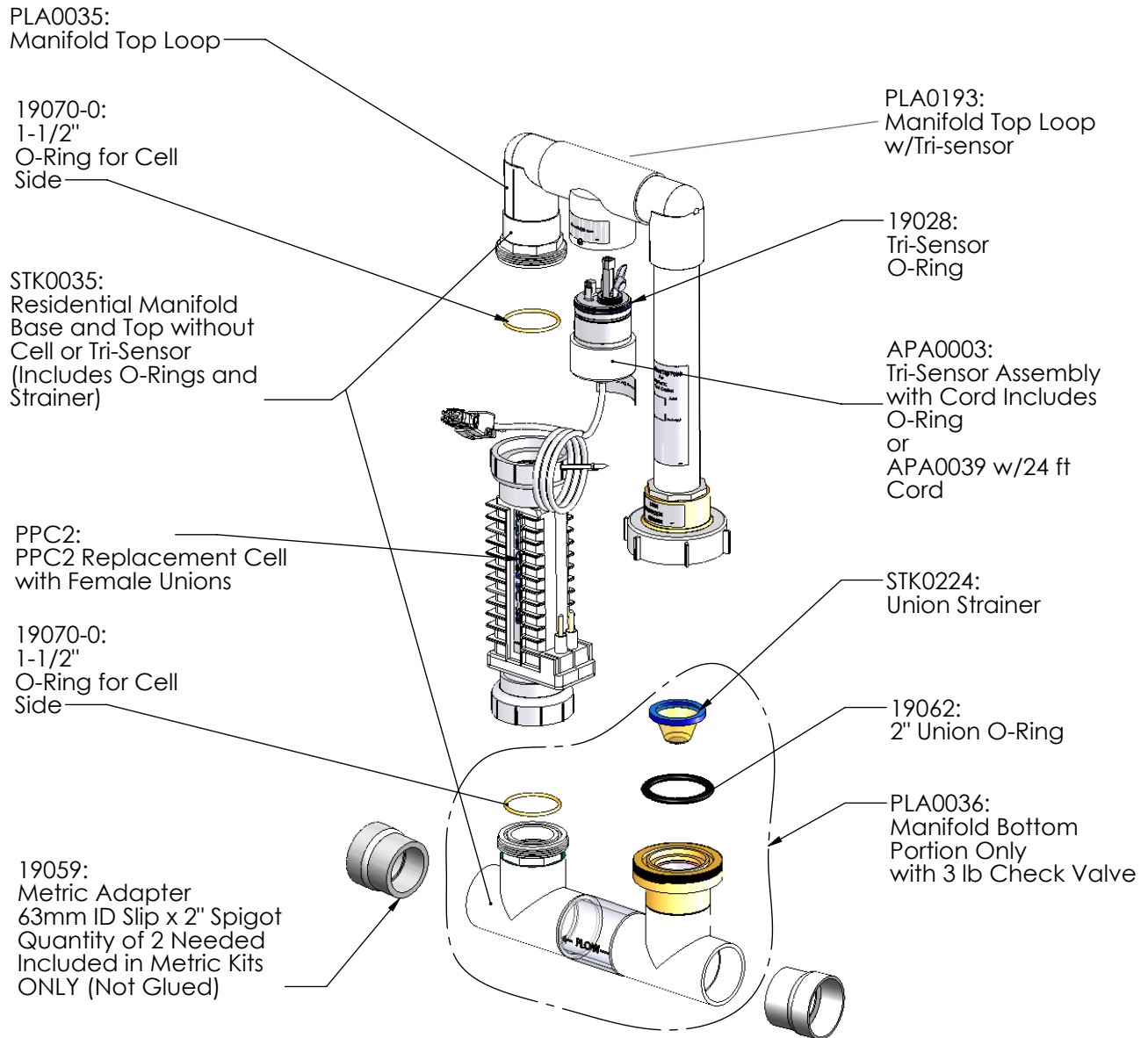
19050:
Red Protective Cap

952-SVC:
Cell Cord 12 ft with 3 Pin
MATE-N-LOK Connector Included with
DNP1, DNP2 and DNP2M
or
952-24:
Cell Cord 24 ft

*Cannot be ordered separately

SINGLE SYSTEM MANIFOLDS

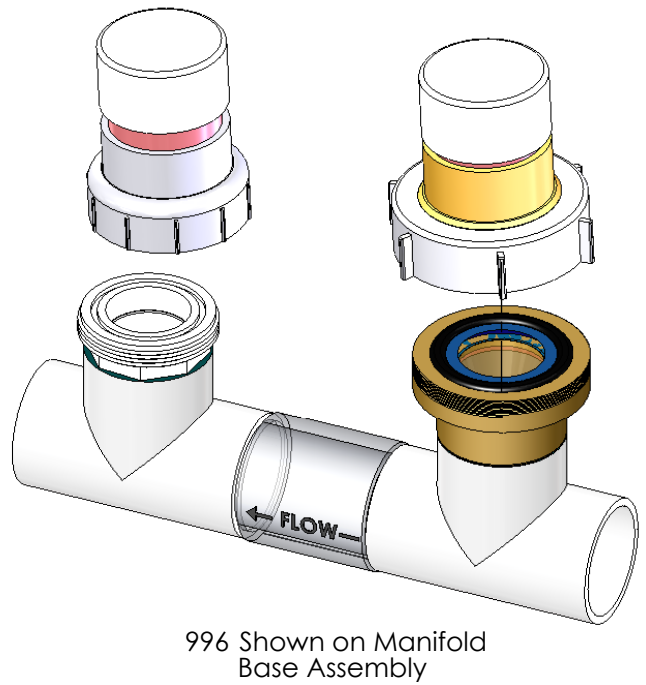
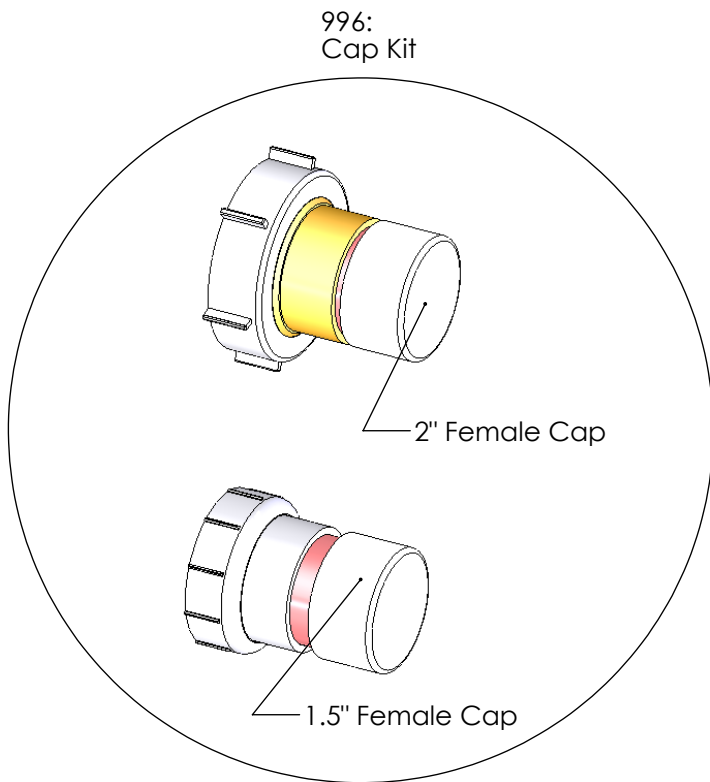
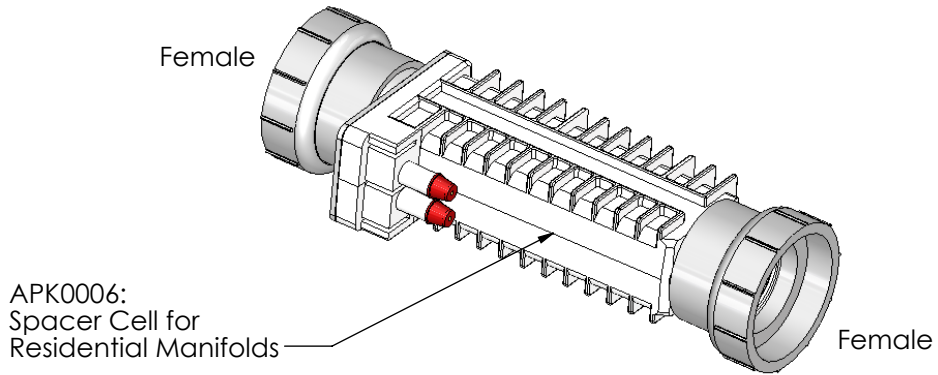
Digital Nano⁺



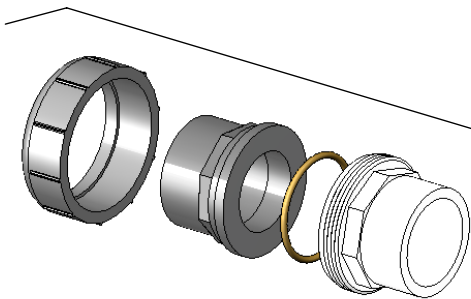
PART #	DESCRIPTION
*PPM2	Manifold Assy with PPC2 Cell
*PPM2M	Manifold Assy with PPC2 Cell and Metric Adapters

*Cannot be ordered separately

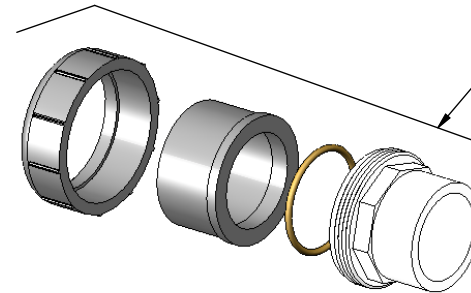
Digital Nano⁺ MANIFOLD ACCESSORIES/TOOLS



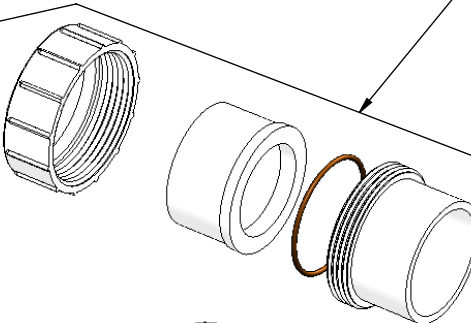
MANIFOLD ACCESSORIES/TOOLS Digital Nano⁺



19073:
 Union Kit
 Includes:
 312-A-SVC Union Nut
 312-F Union Half, 2" Spigot/1.5" Slip X Female Union
 19070-0 1-1/2" O-Ring
 312-C-SVC Union Half, 1.5" Slip/2" Spigot x Male Thread Union

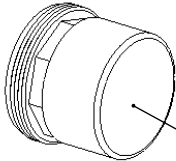


19070:
 Union Kit
 Includes:
 312-A-SVC Union Nut
 312-B-SVC Union Half, 2" Slip x Female Union
 19070-0 1-1/2" O-Ring
 312-C-SVC Union Half, 1.5" Slip/2" Spigot x Male Thread Union

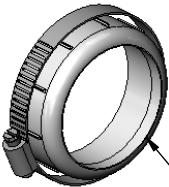


PLS2627:
 Union Kit
 Includes:
 312-A-SVC Union Nut
 312-B-SVC Union Half, 2" Slip x Female Union
 312-D Union Half, 2" Slip x Male Thread Union
 (with O-Ring 19069-0)

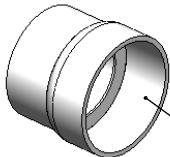
or
 PLS0001:
 Union Pack of 10 PLS2627



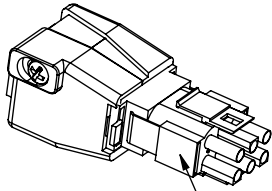
PLA0113:
 Cell Cleaning
 Kit (Male)



STK0048:
 Cracked Union Nut
 Service Kit



19059:
 Metric Adapter
 63mm ID Slip x 2" Spigot
 Quantity of 2 Needed
 Included in Metric Kits
 ONLY (Not Glued)



986-ST:
 Tri-Sensor Simulator
 (Simulates APA0003)

