



Parts Breakdown Catalog

Table of Contents

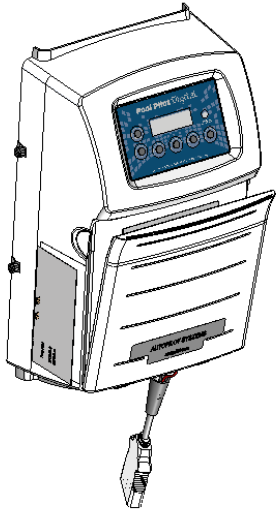
DIG-220 Digital Systems	1
Power Supply Parts	2-3
Power Supply Accessories	4
Single System Manifold	5
Multiple System Manifold	6
Cell Options	7
Manifold Accessories/Tools	8-10
ST-220 Soft Touch Systems	11
Power Supply Parts	12-13
Power Supply Accessories	14
Single System Manifold	15
Multiple System Manifold	16
Cell Options	17
Manifold Accessories/Tools	18-20
Pool Pilot® Professional Systems	21
Power Supply Parts	22
Pool Pilot® Professional Convection System	23
Convection System Power Supply Parts	24
Power Supply Accessories	25
Professional System Manifold	26
Cell Options	27
Manifold Accessories/Tools	28-29
Digital Nano Systems	31
Power Supply Parts	32
Single System Manifold	33
Manifold Accessories/Tools	34-35
Digital Nano+ Systems	37
Power Supply Parts	38
Single System Manifold	39
Manifold Accessories/Tools	40-41
Nano PCC Systems	43
Nano With Pool Chemistry Controller	44
Power Supply Parts	45
Pool Chemistry Controller Parts	46-48
Single System Manifold	49
Manifold Accessories/Tools	50-51
Nano+ PCC Systems	53
Nano+ With Pool Chemistry Controller	54
Power Supply Parts	55
Pool Chemistry Controller Parts	56-58
Single System Manifold	59
Manifold Accessories/Tools	60-61

Table of Contents

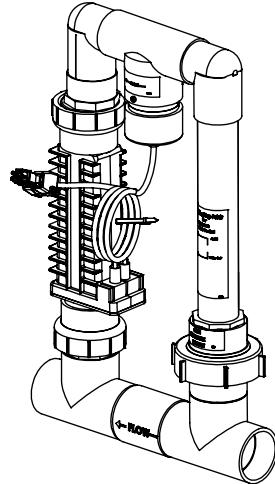
Total Control Systems	63
75003 Power Supply Parts	64-65
Single System Manifold	66
Multiple System Manifold	67
Cell Options	68
Manifold Accessories/Tools	69-70
75001 Pool Chemistry Controller Parts	71-72
Stenner Pump Systems	73
Stenner System Accessories	74-75
CoPilot® Systems	77
CoPilot® with Digital Nano Systems (COP-A)	78
CoPilot® XL with DIG-220 Systems (COP-B)	79
CoPilot® Upgrade Kits (COP-A & COP-B)	80
CoPilot® Power Supply Parts	81
CoPilot® Manifold	82
Cell Options	83
Accessories/Tools	84
ChlorSync™	85
Cell & Power Center Parts	86
Eco Nano Systems	87
Power Supply Parts	88
Eco Nano Inline Cell with Flow Switch	89
AG Systems	91
Power Supply Parts	92
AG Plumbing Options	93-93
AquaClean Robotic Pool Cleaners	95
AquaClean Plus (ACLEAN5)	96
AquaClean1 & EZ Parts	97
XVAC Suction Pool Cleaner	99
JB Fittings	101-105
Index by Part Number	107-110

DIG-220

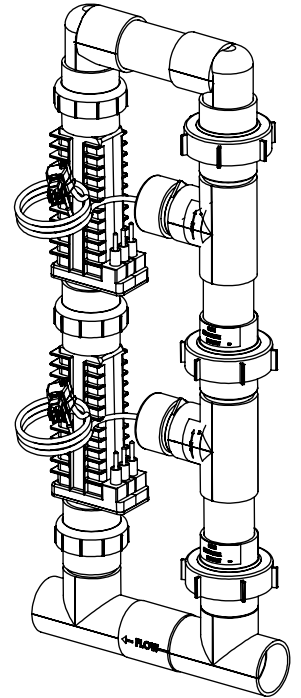
Digital



DIG-220



Single System Manifold



Dual System Manifold

Power Supply

PART #	DESCRIPTION
DIG-220	Digital Power Supply Eng, Esp, Fra, Ita Languages
DIG-220CE	Digital Power Supply CE Version Eng, Esp, Fra, Ita Languages
DIG-220CE-GERMAN	Digital Power Supply Ger, Eng, Esp, Fra, Ita Languages

Single System Manifold Types

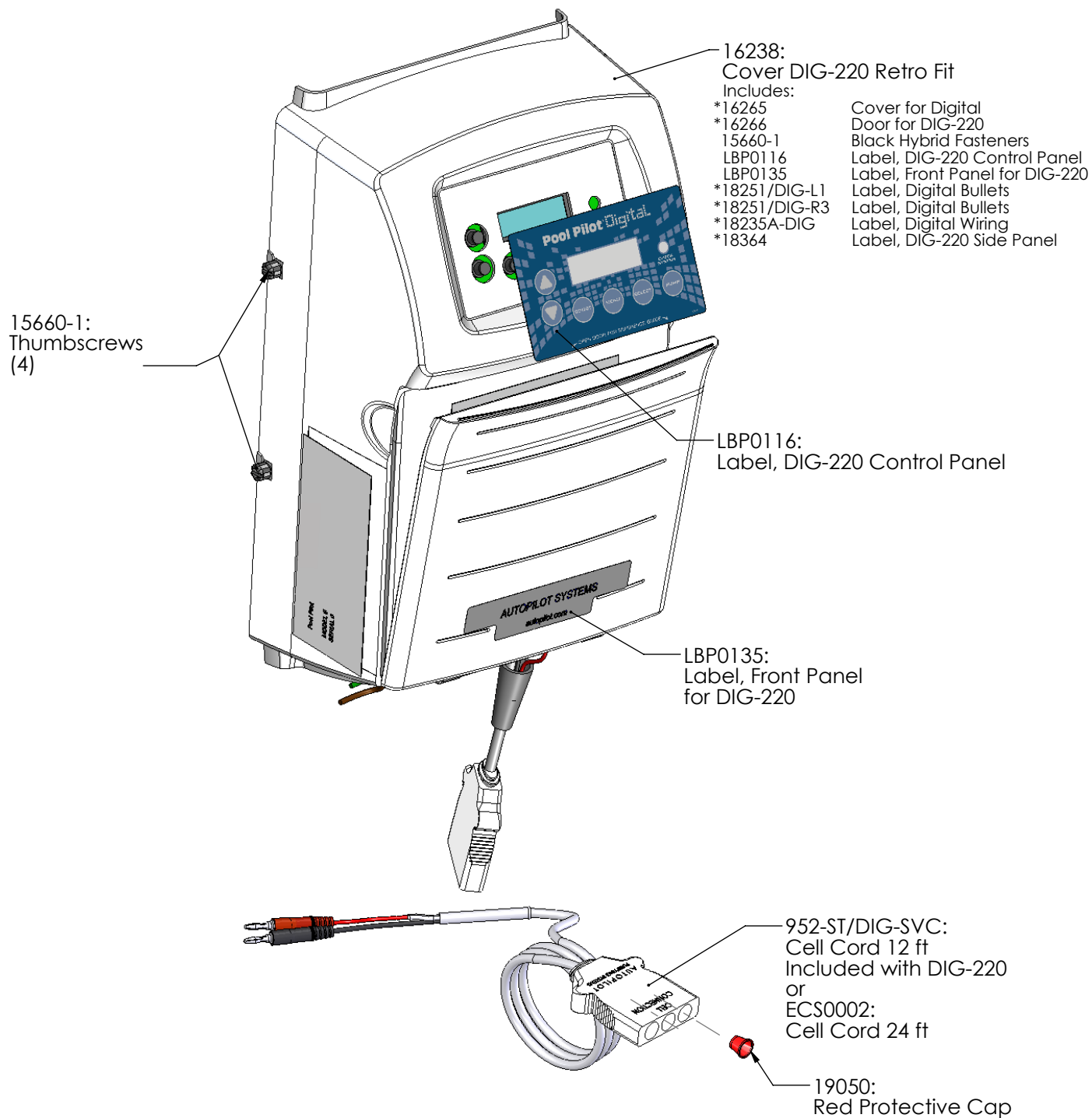
PART #	DESCRIPTION	PAGE #
PPM1	Manifold Assy with PPC1 Cell	5
PPM3	Manifold Assy with PPC3 Cell	5
PPM4	Manifold Assy with PPC4 Cell	5
PPM5	Manifold Assy with PPC5 Cell	5
PPM1M	Manifold Assy with PPC1 Cell and Metric Adapters	5
PPM3M	Manifold Assy with PPC3 Cell and Metric Adapters	5
PPM4M	Manifold Assy with PPC4 Cell and Metric Adapters	5
PPC5M	Manifold Assy with PPC5 Cell and Metric Adapters	5
APK0006	Spacer Cell for Maintenance	9

Dual System Manifold Types

PART #	DESCRIPTION	PAGE #
941-215C-A	Manifold Commercial	6
938-SC	Spacer Cell	9

Digital

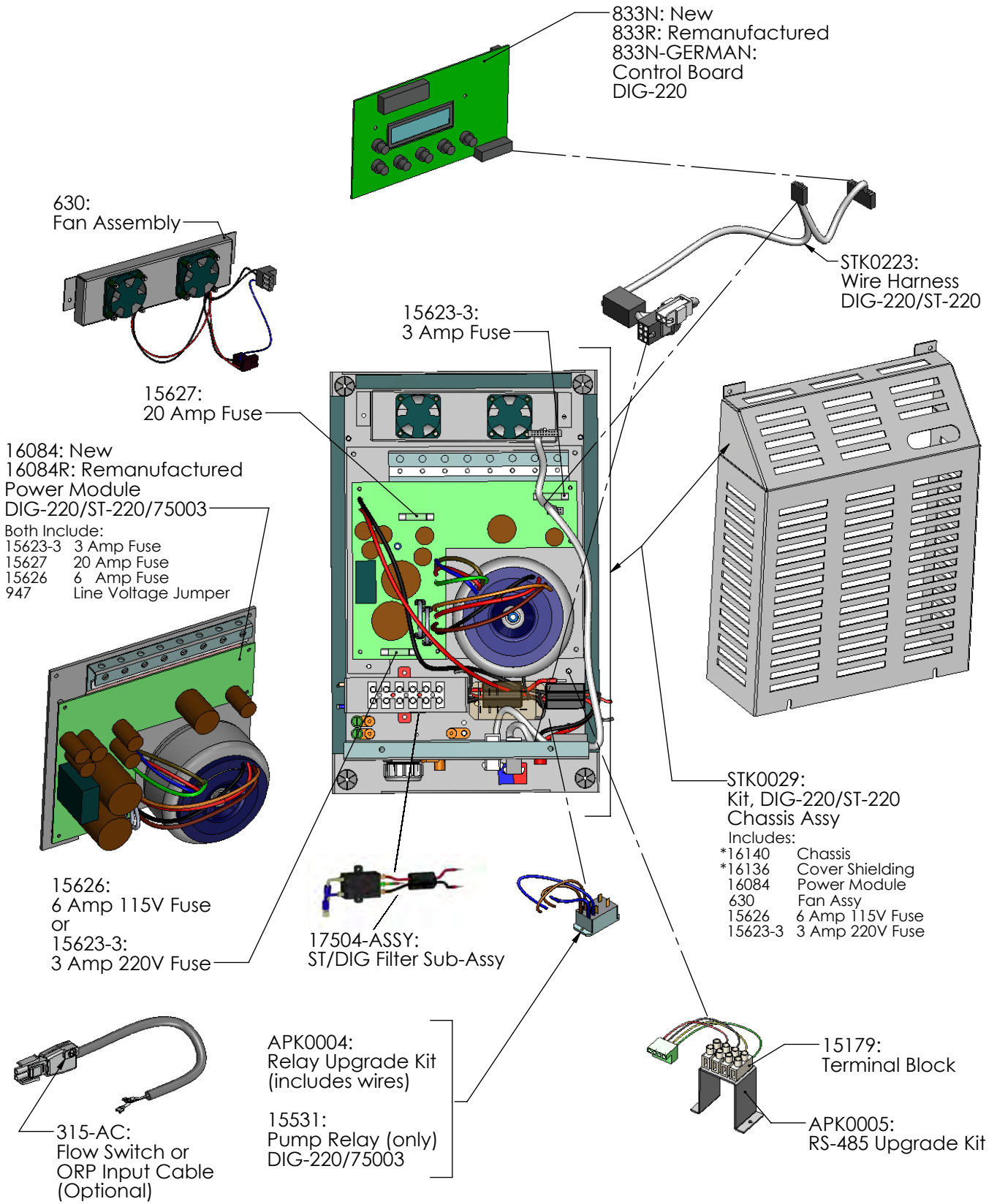
DIG-220 Power Supply Parts



*Cannot be ordered separately

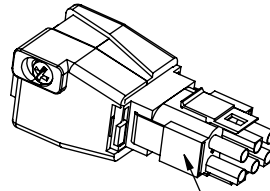
DIG-220 Power Supply Parts

Digital

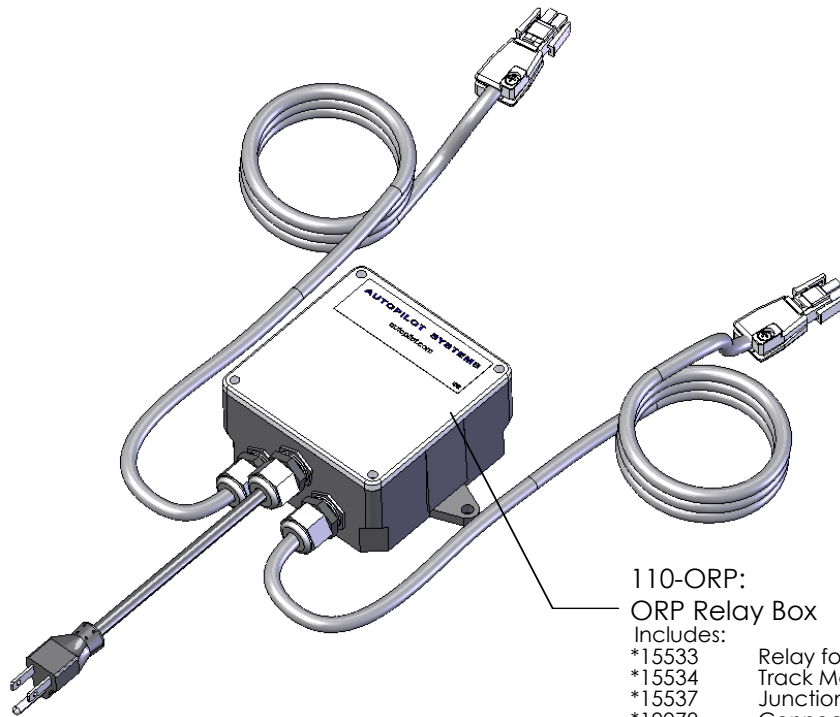


*Cannot be ordered separately

POWER SUPPLY ACCESSORIES



986-ST:
Tri-Sensor Simulator
(Simulates APA0003)



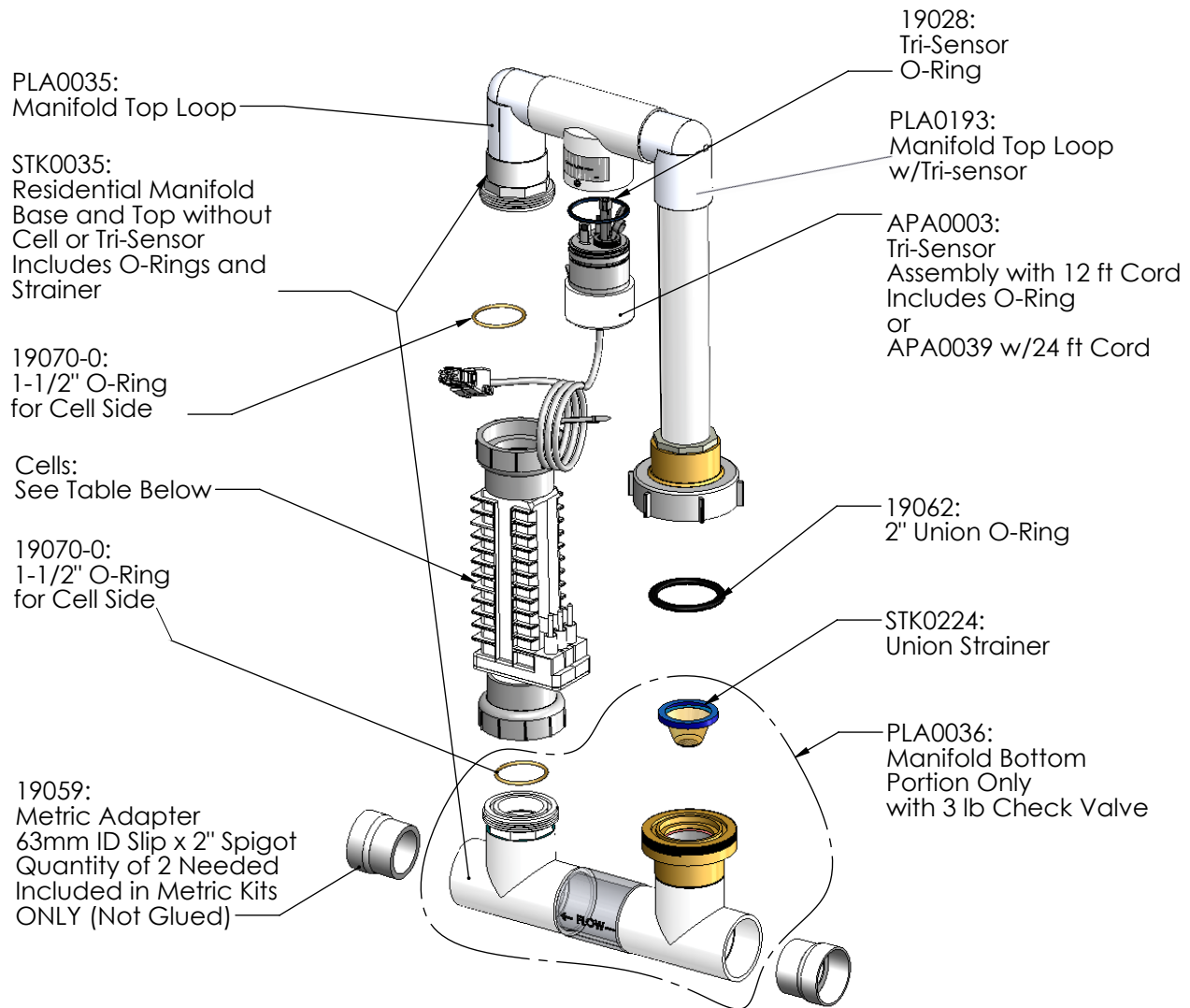
110-ORP:
ORP Relay Box

- Includes:
- *15533 Relay for ORP
 - *15534 Track Mount Socket
 - *15537 Junction Box 4x4x2
 - *19078 Connector Cable Clamp
 - *19078N Nut for Cable Clamp
 - *ECA0085 Flow Switch Cable Assy (12 ft),2X
 - *17220 Cord 110V #16 AWG (6 ft
 - *15402-1 Screw(s) #6-32 x 1/4 PPMS S
 - *ECP0069 Cable Clamp

*Cannot be ordered separately

SINGLE SYSTEM MANIFOLDS

Digital

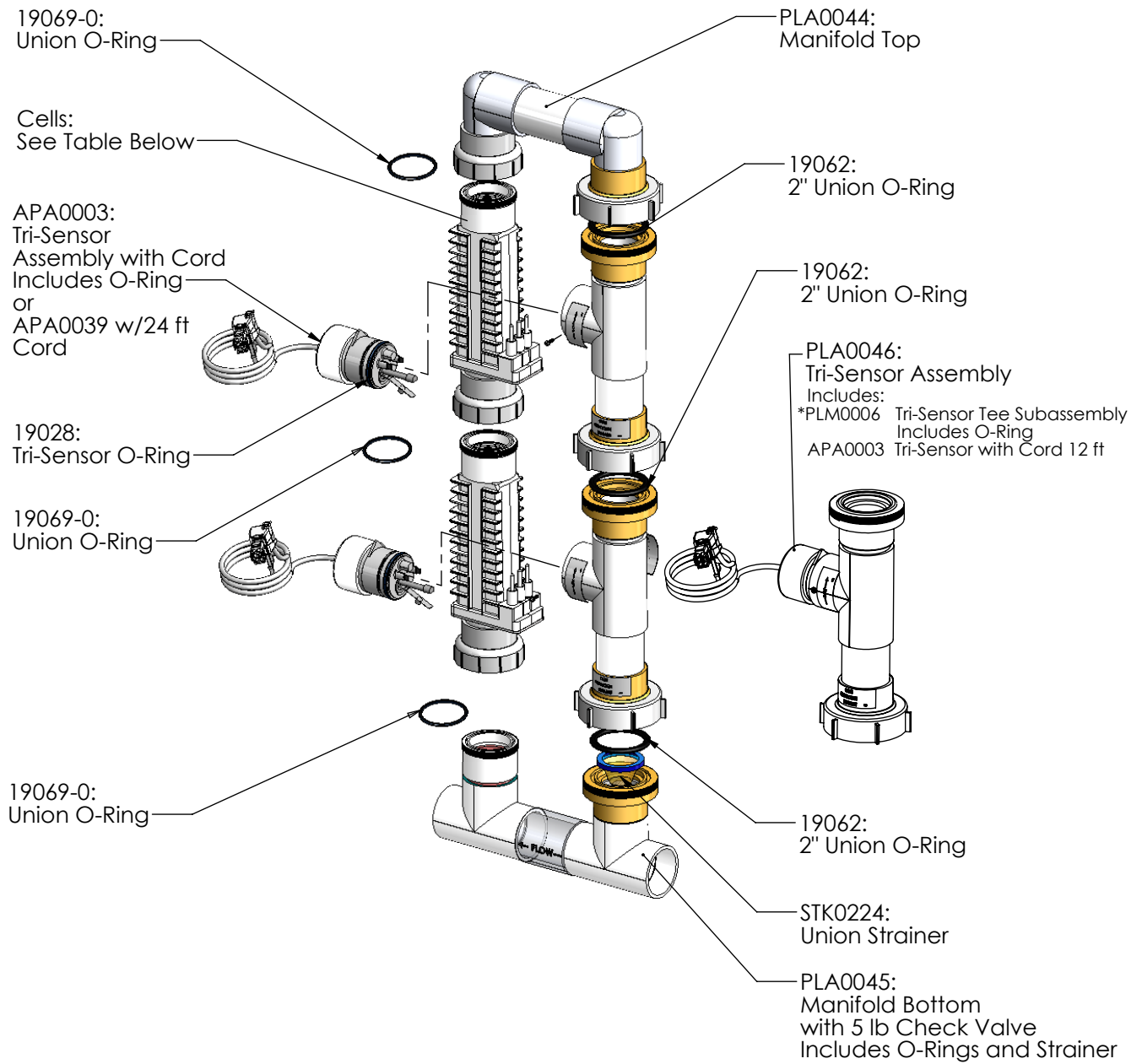


PART #	DESCRIPTION	PAGE
PPM1	Manifold Assy with PPC1 Cell	7
PPM3	Manifold Assy with PPC3 Cell	7
PPM4	Manifold Assy with PPC4 Cell	7
PPM5	Manifold Assy with PPC5 Cell	7
PPM1M	Manifold Assy with PPC1 Cell and Metric Adapters	7
PPM3M	Manifold Assy with PPC3 Cell and Metric Adapters	7
PPM4M	Manifold Assy with PPC4 Cell and Metric Adapters	7
PPM5M	Manifold Assy with PPC5 Cell and Metric Adapters	7
APK0006	Spacer Cell for Maintenance	9

Digital

MULTIPLE SYSTEM MANIFOLD

For Use with Dual Power Supply Systems



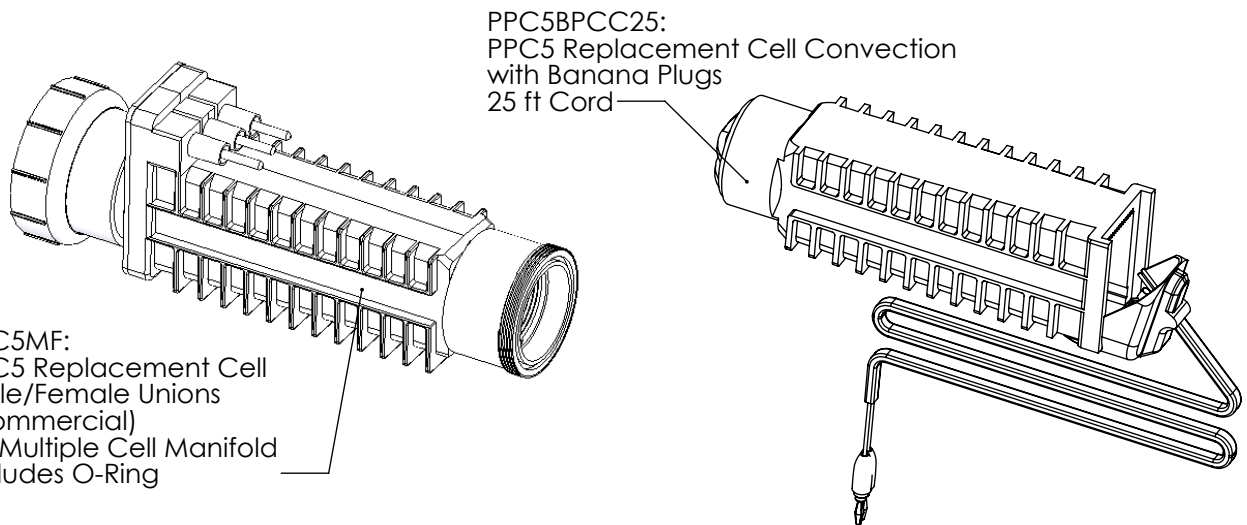
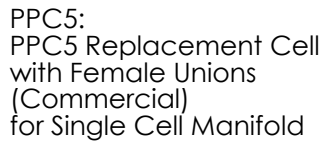
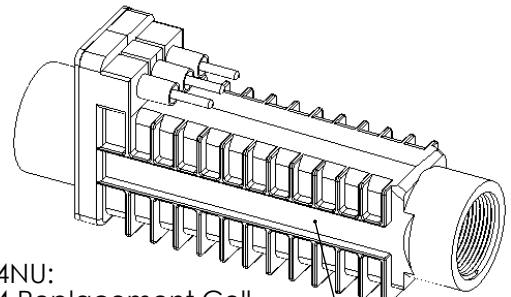
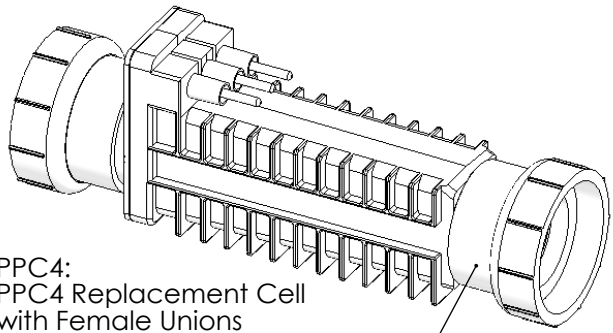
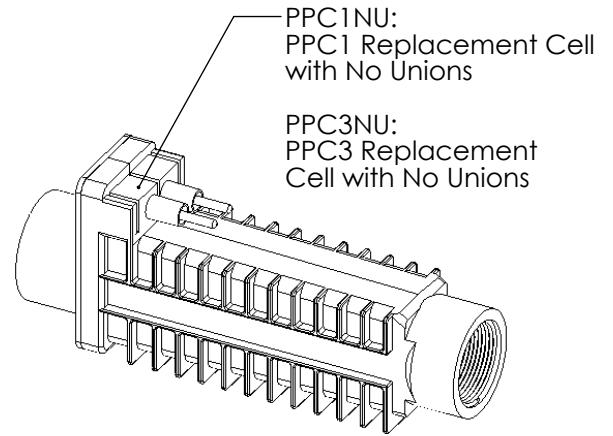
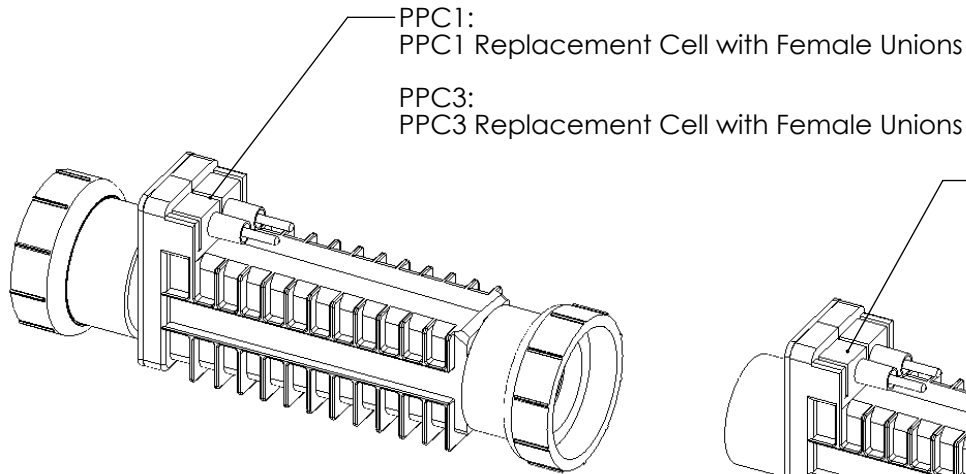
Part #	DESCRIPTION	PAGE #
941-215C-A	Manifold Commercial with 2 PPC5MF Cells	7
ALL	Spacer Cell for Maintenance	9

To convert from dual to triple system, add PLA0046, PPC5MF and Power Supply of choice, ST-220/DIG-220/75003, typically ST-220 is used.

*Cannot be ordered separately

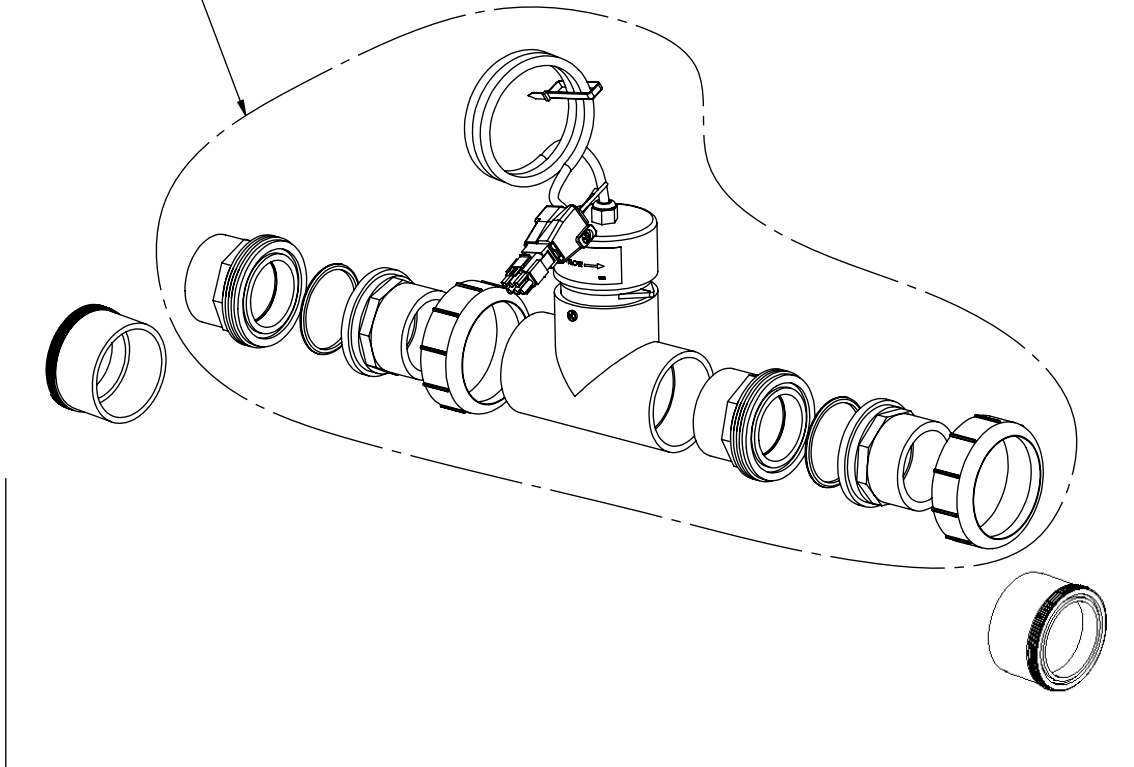
CELL OPTIONS

Digital



MANIFOLD ACCESSORIES/TOOLS

- APK0038:
Tri-Sensor Assy for Convection Cell Applications
Includes:
401-020 2" T Slip x Slip x Slip
312-A-SVC Union Nut
312-F 2" Spigot/1.5" Slip X Female Union
312-C-SVC Union Half, 1.5" Slip/2" Spigot x Male Thread Union
*15405 HDW Screw #6x1/2 PPSMS SS
APA0003 Tri-Sensor with Cord Assy 12 ft

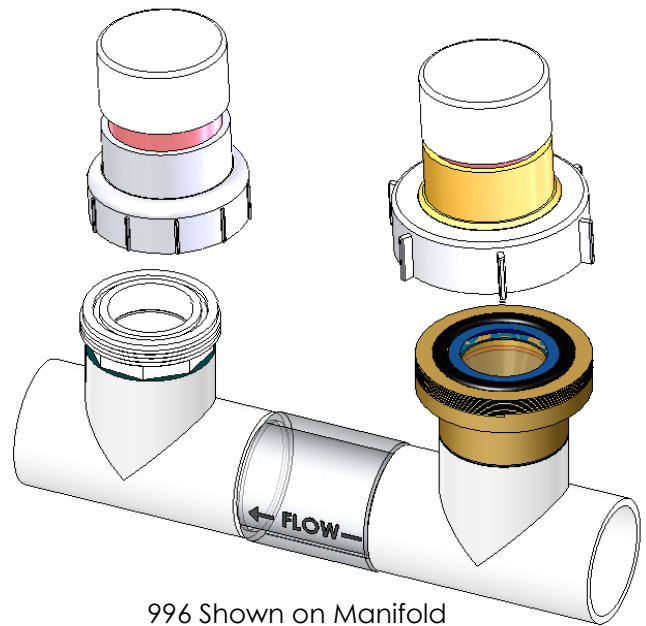
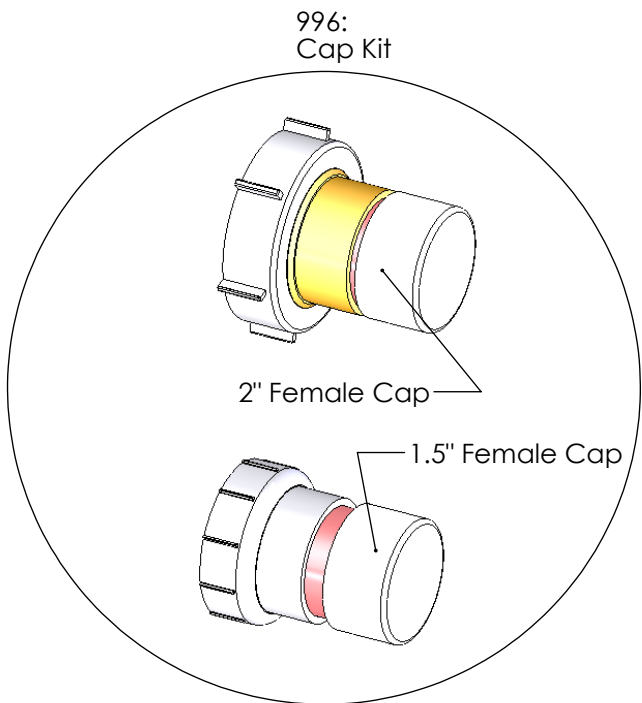
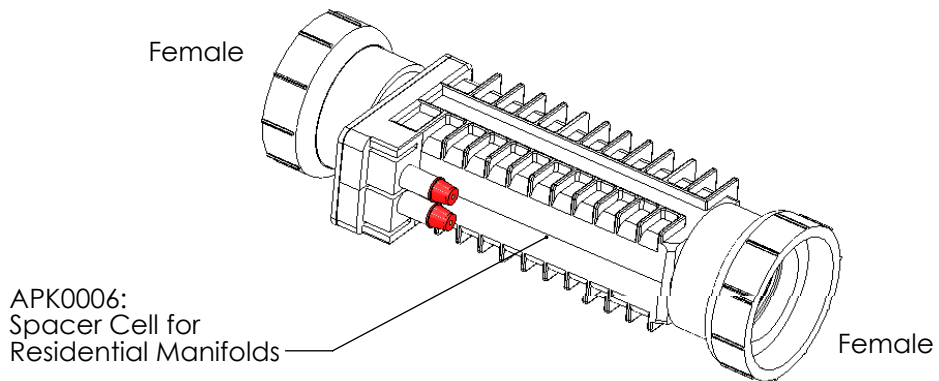
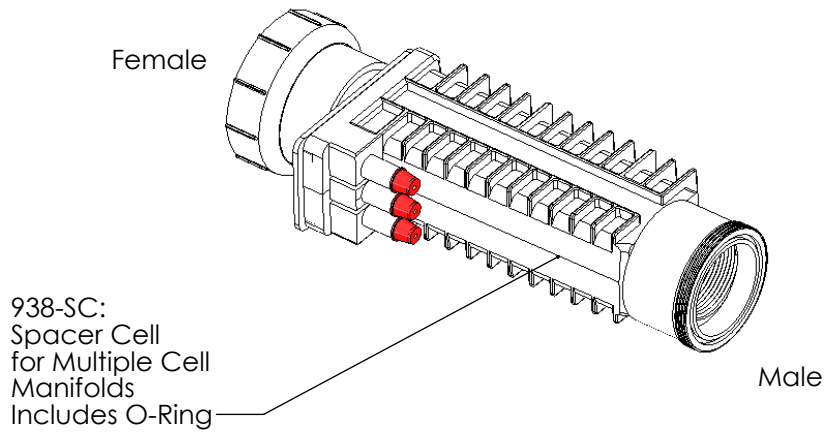


- APA0065:
Inline Conversion Kit
Same as APK0038 Kit Above but with Additional Two 312-D
Union Halves, 2" S x MT Union

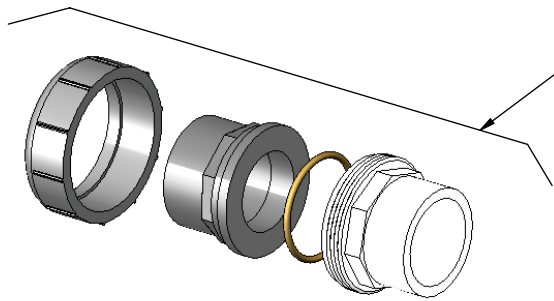
*Cannot be ordered separately

MANIFOLD ACCESSORIES/TOOLS

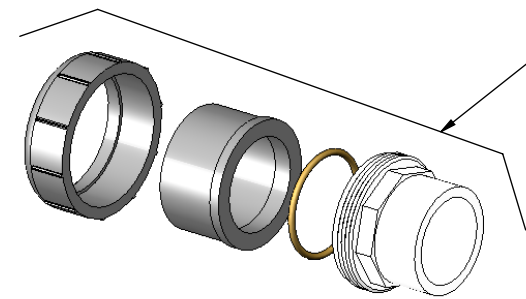
Digital



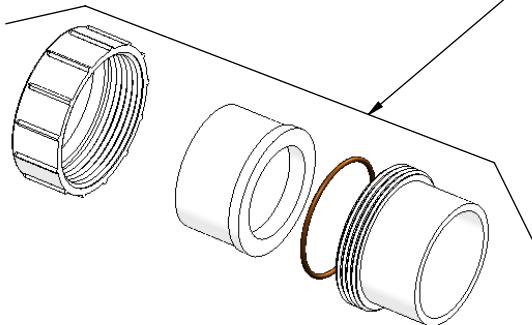
MANIFOLD ACCESSORIES/TOOLS



19073:
Union Kit
Includes:
312-A-SVC Union Nut
312-F Union Half, 2" Spigot/1.5" Slip X Female Union
19070-0 1-1/2" O-Ring
312-C-SVC Union Half, 1.5" Slip/2" Spigot x Male Thread Union

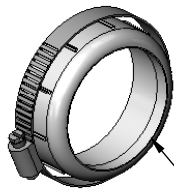


19070:
Union Kit
Includes:
312-A-SVC Union Nut
312-B-SVC Union Half, 2" Slip x Female Union
19070-0 1-1/2" O-Ring
312-C-SVC Union Half, 1.5" Slip/2" Spigot x Male Thread Union

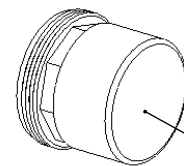


PLS2627:
Union Kit
Includes:
312-A-SVC Union Nut
312-B-SVC Union Half, 2" Slip x Female Union
312-D Union Half, 2" Slip x Male Thread Union
(with O-Ring 19069-0)

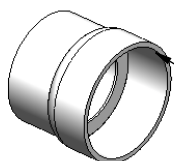
or
PLS0001:
Union Kit-Pack of 10 PLS2627



STK0048:
Cracked Union Nut
Service Kit



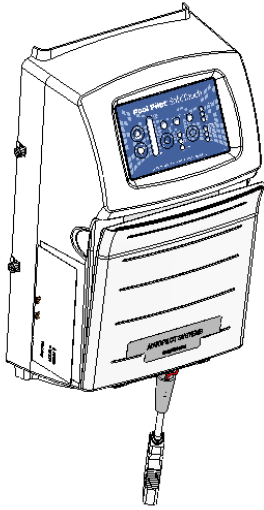
PLA0113:
Cell Cleaning
Kit (Male)



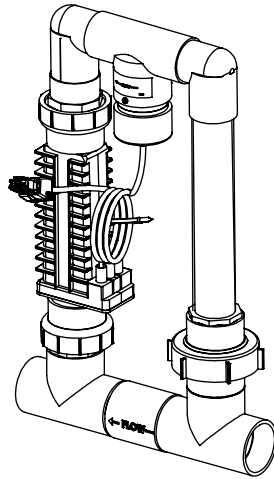
19059:
Metric Adapter
63mm ID Slip x 2" Spigot
Quantity of 2 Needed
Included in Metric Kits
ONLY (Not Glued)

ST-220

Soft Touch



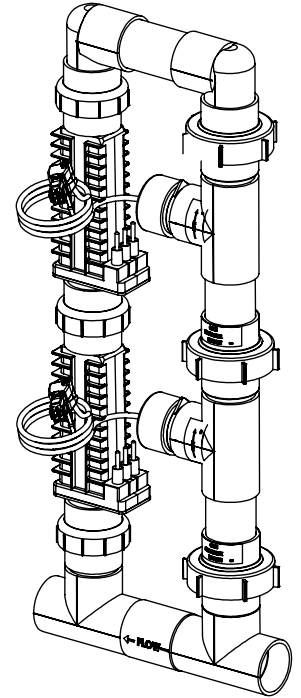
ST-220



Single System Manifold

Power Supply

PART #	DESCRIPTION
ST-220	Soft Touch Power Supply
ST-220CE	Digital Power Supply CE Version



Dual System Manifold

Single System Manifold Types

PART #	DESCRIPTION	PAGE #
PPM1	Manifold Assy with PPC1 Cell	15
PPM3	Manifold Assy with PPC3 Cell	15
PPM4	Manifold Assy with PPC4 Cell	15
PPM5	Manifold Assy with PPC5 Cell	15
PPM1M	Manifold Assy with PPC1 Cell and Metric Adapters	15
PPM3M	Manifold Assy with PPC3 Cell and Metric Adapters	15
PPM4M	Manifold Assy with PPC4 Cell and Metric Adapters	15
PPM5M	Manifold Assy with PPC5 Cell and Metric Adapters	15
APK0006	Spacer Cell for Maintenance	19

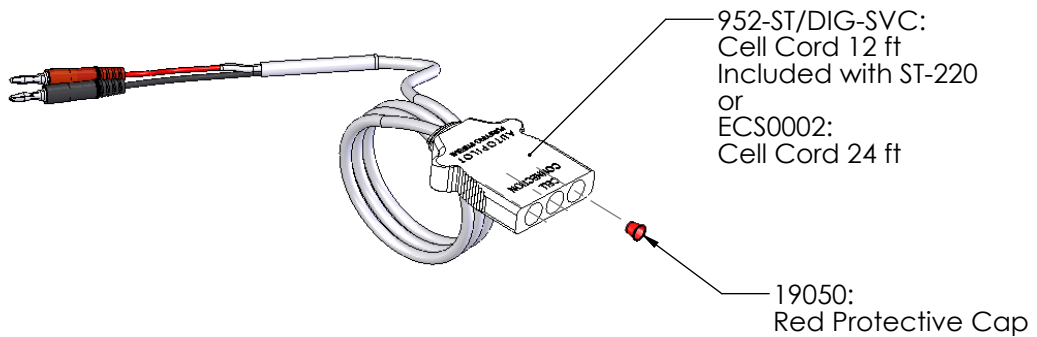
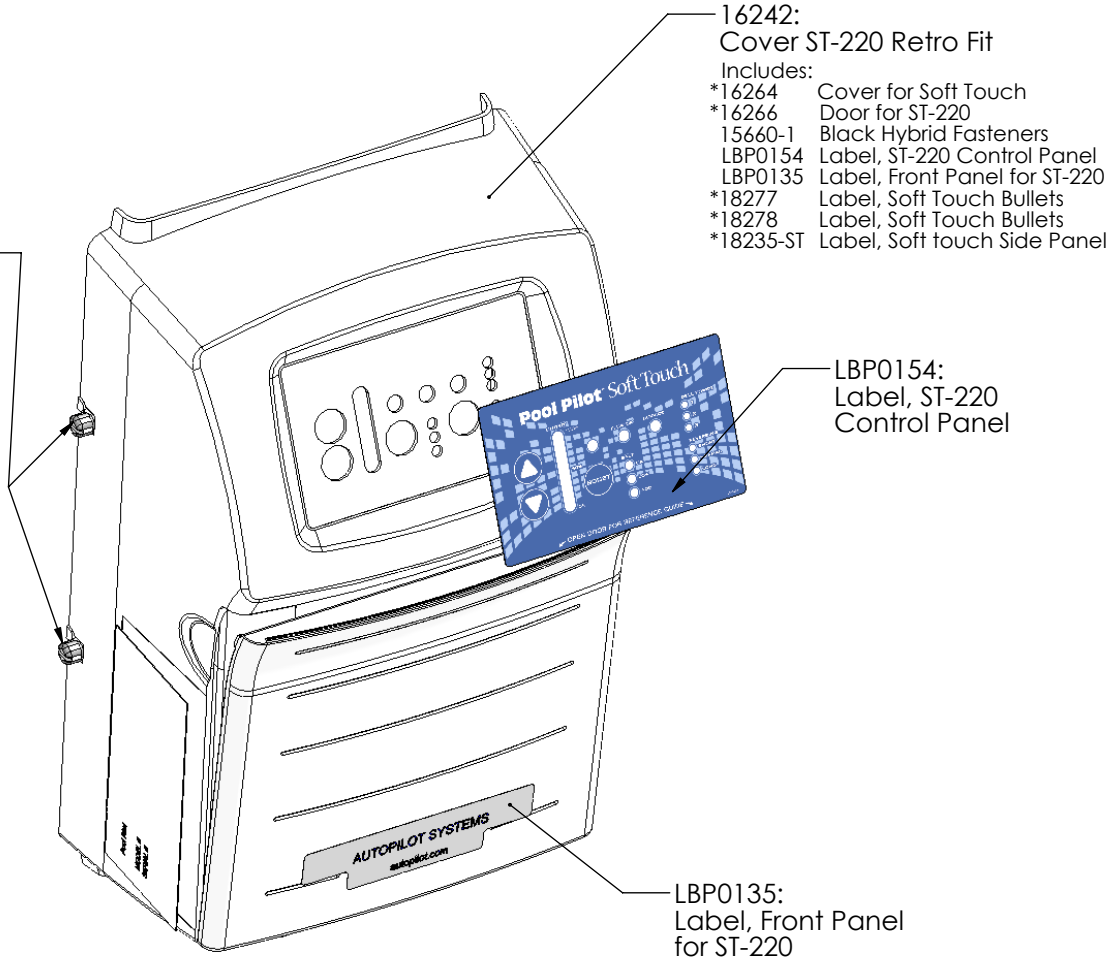
Dual System Manifold Types

PART #	DESCRIPTION	PAGE #
941-215C-A	Manifold Commercial	16
938-SC	Spacer Cell	19

Soft Touch

ST-220 Power Supply Parts

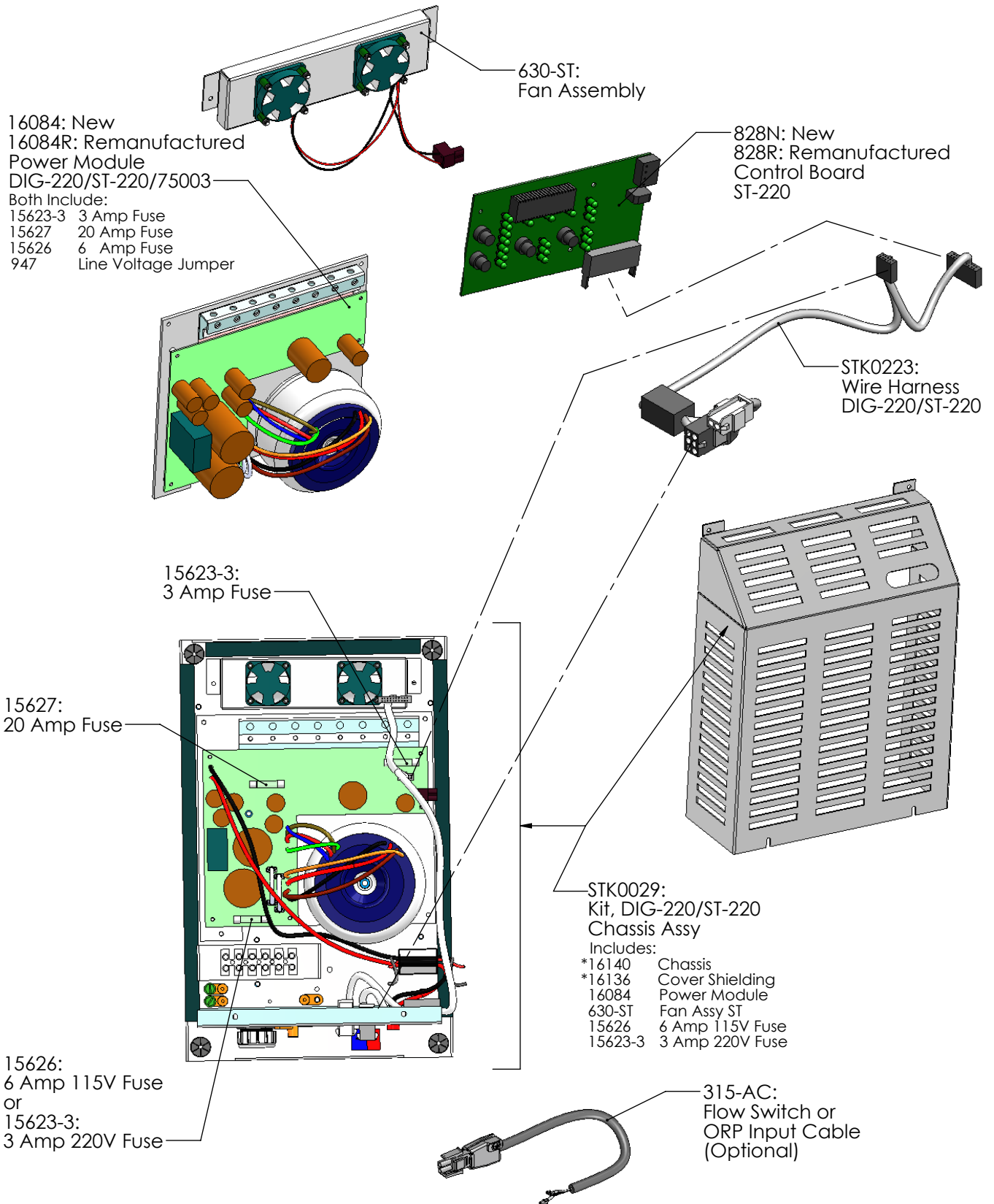
15660-1:
Thumbscrews
(4)



*Cannot be ordered separately

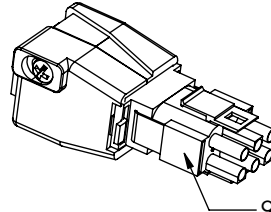
ST-220 Power Supply Parts

Soft Touch

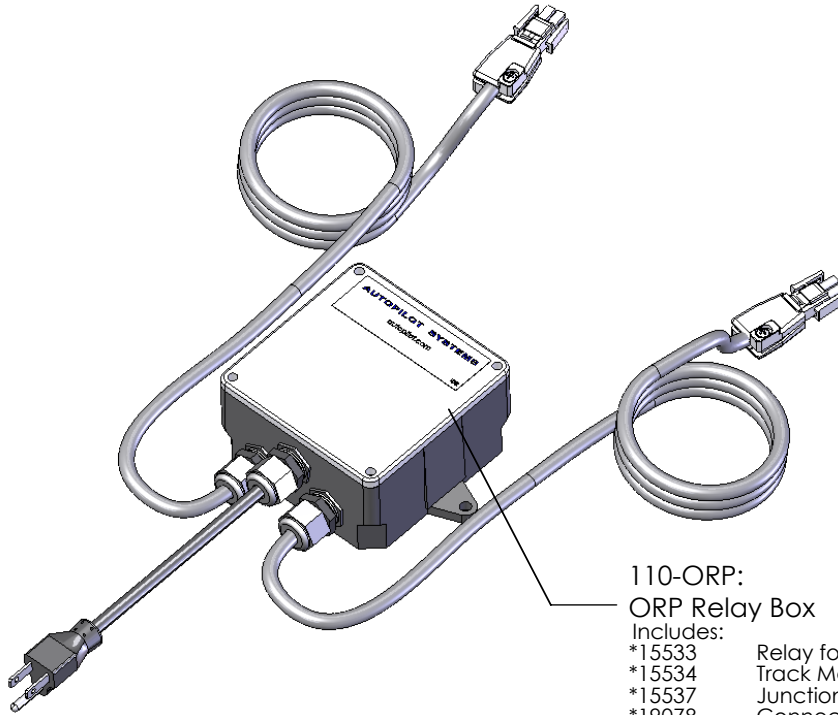


*Cannot be ordered separately

POWER SUPPLY ACCESSORIES



986-ST:
Tri-Sensor Simulator
(Simulates APA0003)



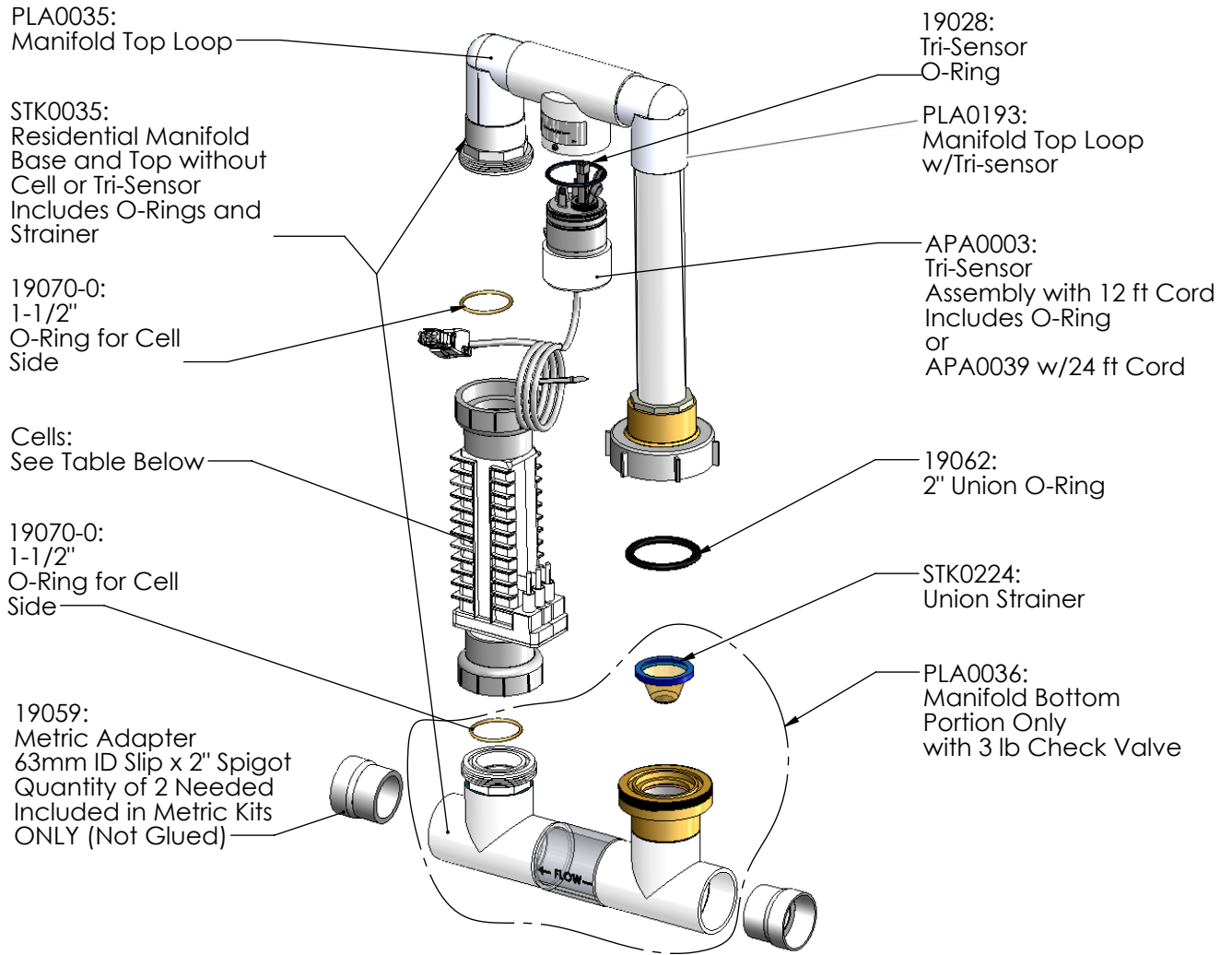
110-ORP:
ORP Relay Box

- Includes:
- *15533 Relay for ORP
 - *15534 Track Mount Socket
 - *15537 Junction Box 4x4x2
 - *19078 Connector Cable Clamp
 - *19078N Nut for Cable Clamp
 - *ECA0085 Flow Switch Cable Assy (12 ft),2X
 - *17220 Cord 110V #16 AWG (6 ft)
 - *15402-1 Screw(s) #6-32 x 1/4 PPMS SS
 - *ECP0069 Cable Clamp

*Cannot be ordered separately

SINGLE SYSTEM MANIFOLDS

Soft Touch

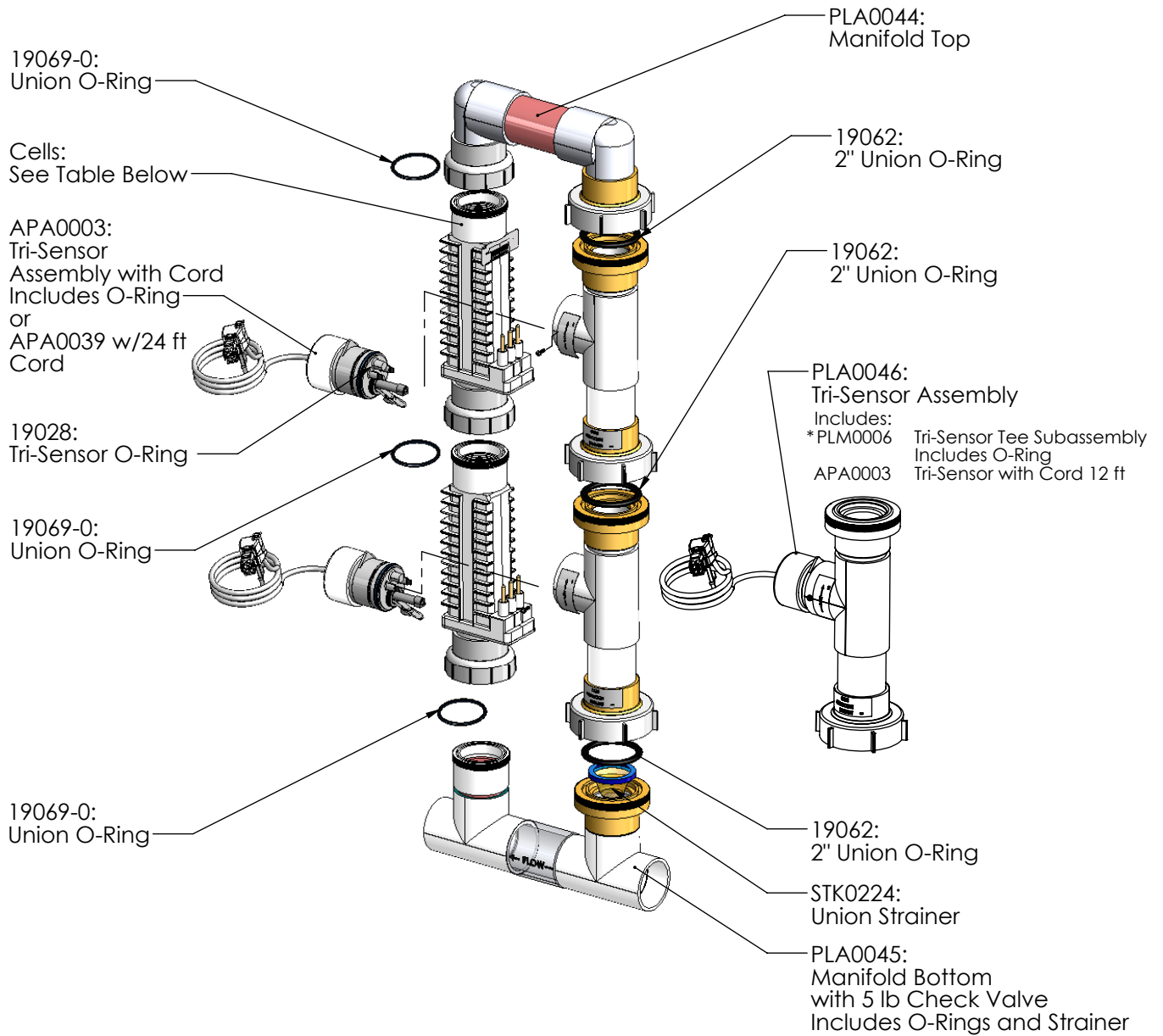


PART #	DESCRIPTION	PAGE #
PPM1	Manifold Assy with PPC1 Cell	17
PPM3	Manifold Assy with PPC3 Cell	17
PPM4	Manifold Assy with PPC4 Cell	17
PPM5	Manifold Assy with PPC5 Cell	17
PPM1M	Manifold Assy with PPC1 Cell and Metric Adapters	17
PPM3M	Manifold Assy with PPC3 Cell and Metric Adapters	17
PPM4M	Manifold Assy with PPC4 Cell and Metric Adapters	17
PPM5M	Manifold Assy with PPC5 Cell and Metric Adapters	17
APK0006	Spacer Cell for Maintenance	19

Soft Touch

MULTIPLE SYSTEM MANIFOLD

For Use With Dual Power Supply Systems

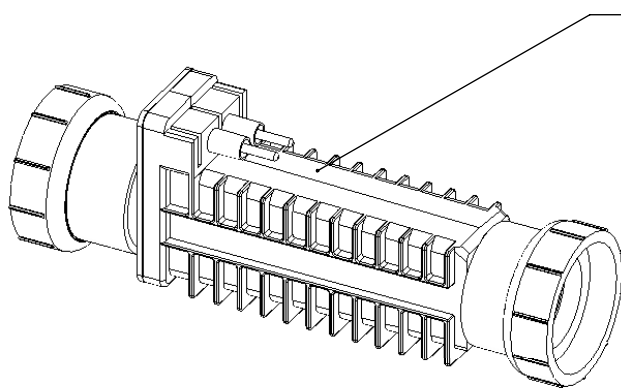


PART #	DESCRIPTION	PAGE #
941-215C-A	Manifold Commercial with 2 PPC5MF Cells	17
938-SC	Spacer Cell for Maintenance	19
To convert from dual to triple system, add PLA0046, PPC5MF and Power Supply of choice, ST-220/DIG-220/75003, typically ST-220 is used.		

*Cannot be ordered separately

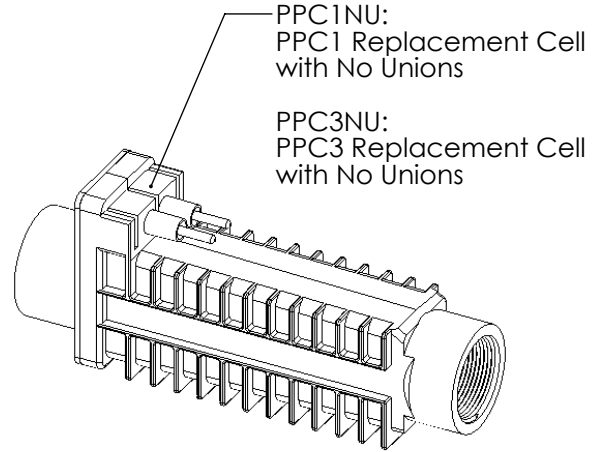
CELL OPTIONS

Soft Touch



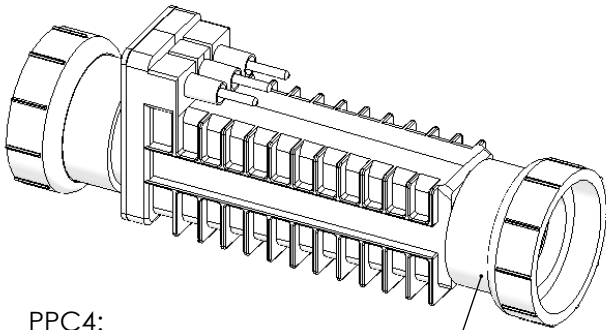
PPC1:
PPC1 Replacement Cell with Female Unions

PPC3:
PPC3 Replacement Cell with Female Unions



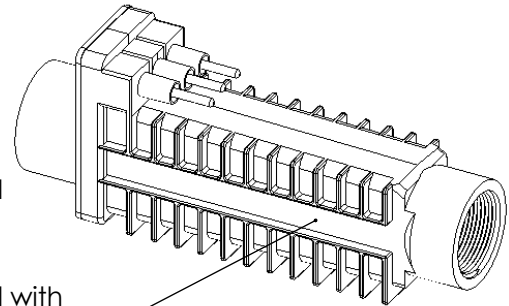
PPC1NU:
PPC1 Replacement Cell
with No Unions

PPC3NU:
PPC3 Replacement Cell
with No Unions



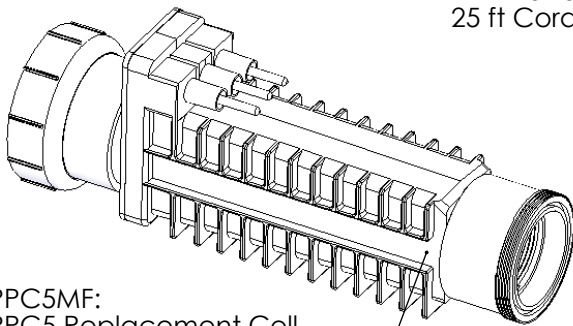
PPC4:
PPC4 Replacement Cell
with Female Unions

PPC5:
PPC5 Replacement Cell
with Female Unions
(Commercial)
for Single Cell Manifold



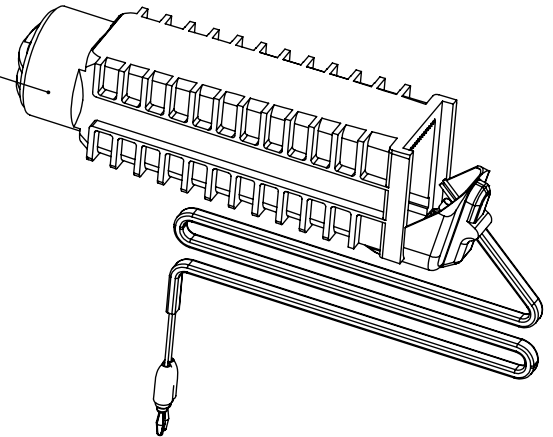
PPC4NU:
PPC4 Replacement Cell
with No Unions

PPC5NU:
PPC5 Replacement Cell with
No Unions (Commercial)



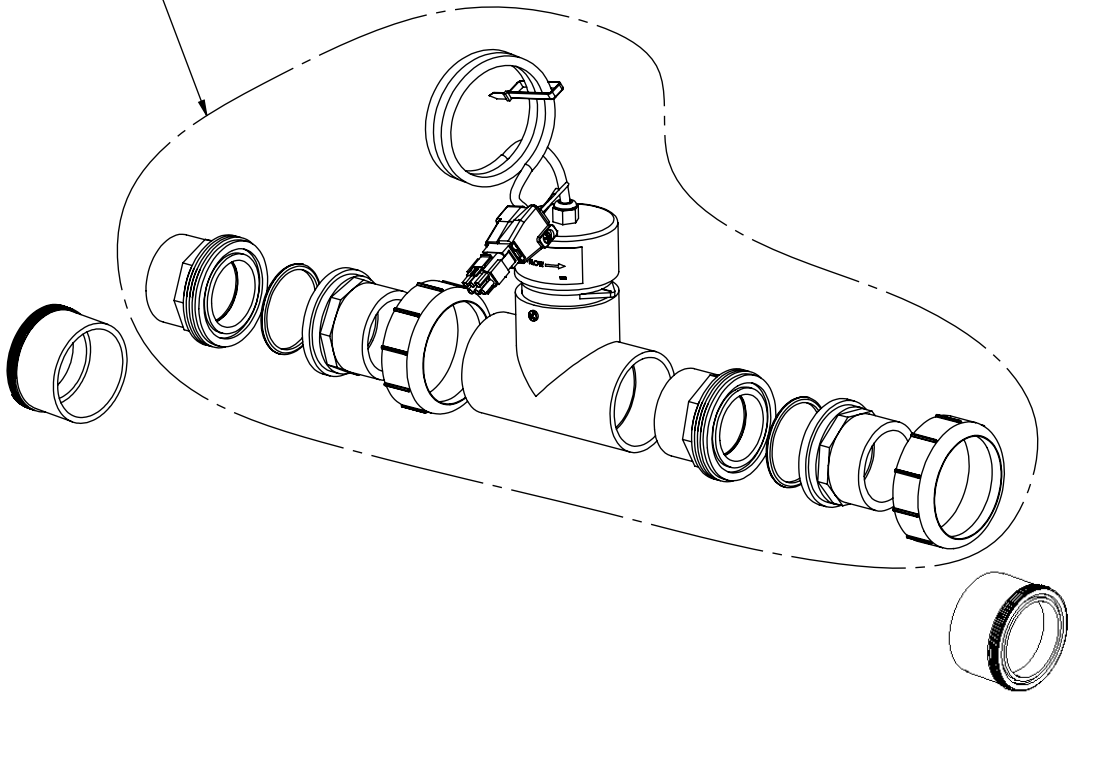
PPC5MF:
PPC5 Replacement Cell
Male/Female Unions
(Commercial)
for Multiple Cell Manifold
Includes O-Ring

PPC5BPCC25:
PPC5 Replacement Cell Convection
with Banana Plugs
25 ft Cord



Soft Touch MANIFOLD ACCESSORIES/TOOLS

- APK0038:
Tri-Sensor Assy for Convection Cell Applications
Includes:
401-020 2" T Slip x Slip x Slip
312-A-SVC Union Nut
312-F 2" Spigot/1.5" Slip X Female Union
312-C-SVC Union Half, 1.5" Slip/2" Spigot x Male Thread Union
*15405 HDW Screw #6x1/2 PPSMS SS
APA0003 Tri-Sensor with Cord Assy 12 ft

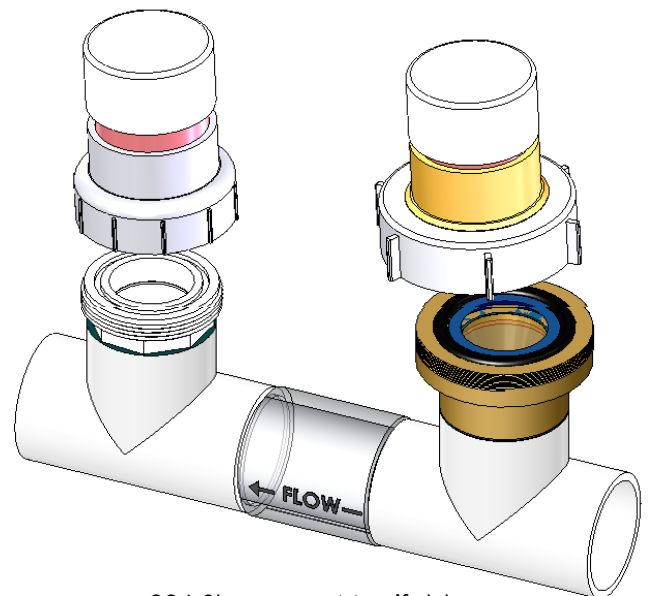
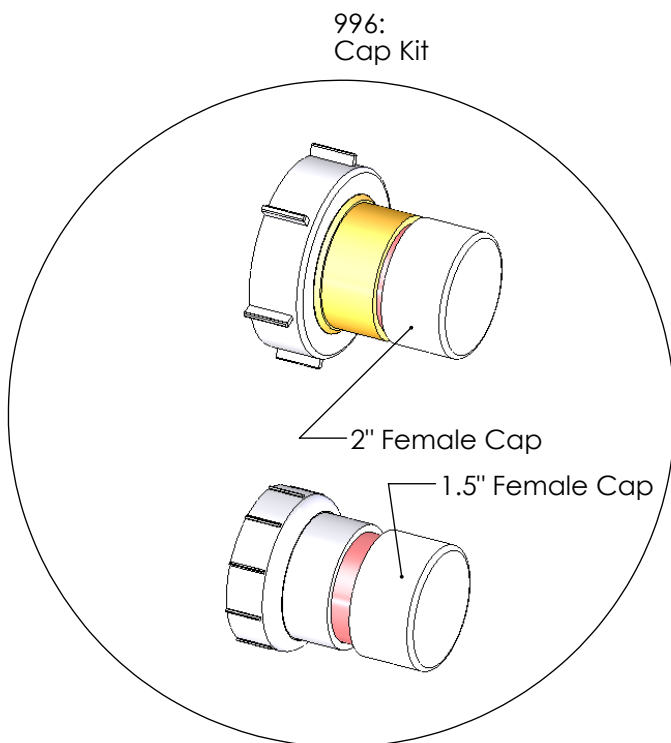
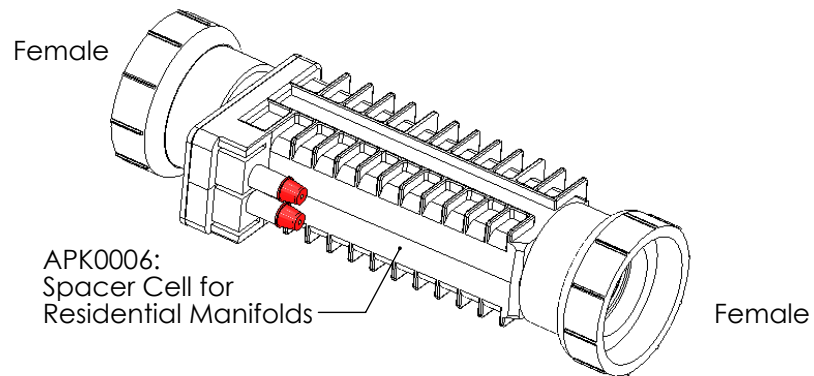
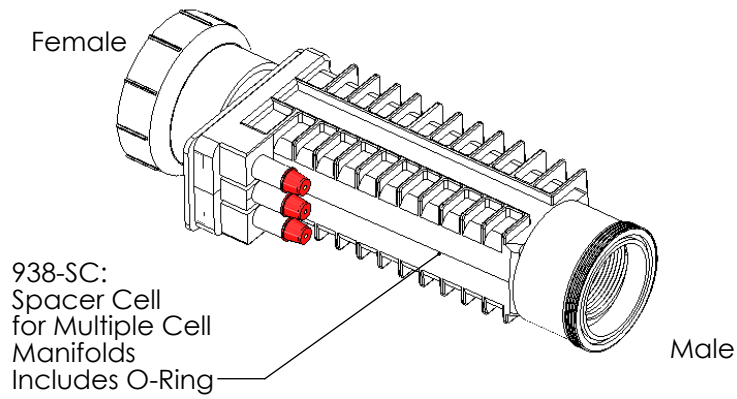


- APA0065:
Inline Conversion Kit
Same as APK0038 Kit above but with additional two 312-D
Union Halves, 2" S x MT Union

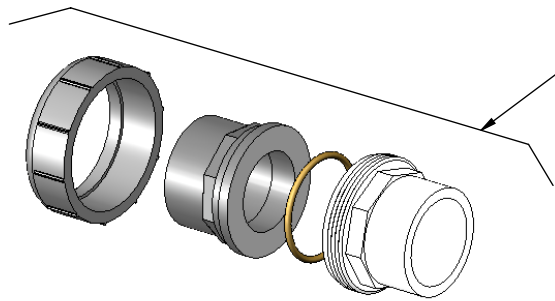
*Cannot be ordered separately

MANIFOLD ACCESSORIES/TOOLS

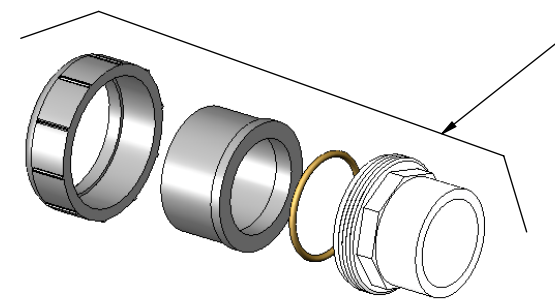
Soft Touch



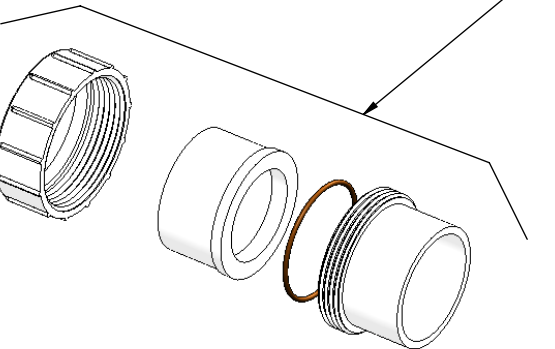
MANIFOLD ACCESSORIES/TOOLS



19073:
 Union Kit
 Includes:
 312-A-SVC Union Nut
 312-F Union Half, 2" Spigot/1.5" Slip X Female Union
 19070-0 1-1/2" O-Ring
 312-C-SVC Union Half, 1.5" Slip/2" Spigot x Male Thread Union

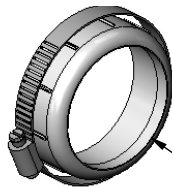


19070:
 Union Kit
 Includes:
 312-A-SVC Union Nut
 312-B-SVC Union Half, 2" Slip x Female Union
 19070-0 1-1/2" O-Ring
 312-C-SVC Union Half, 1.5" Slip/2" Spigot x Male Thread Union

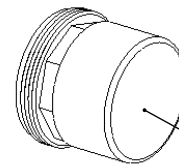


PLS2627:
 Union Kit
 Includes:
 312-A-SVC Union Nut
 312-B-SVC Union Half, 2" Slip x Female Union
 312-D Union Half, 2" Slip x Male Thread Union
 (with O-Ring 19069-0)

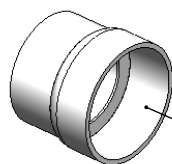
OR
 PLS0001:
 Union Kit-Pack of 10 PLS2627



STK0048:
 Cracked Union Nut
 Service Kit



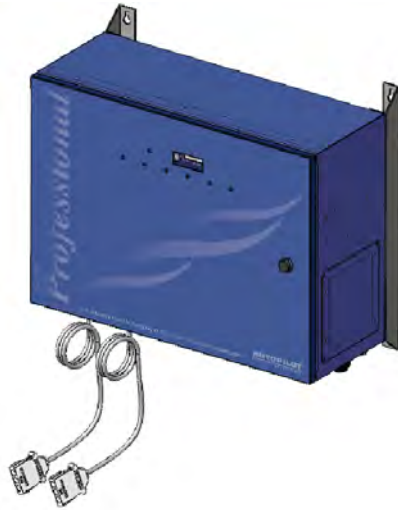
PLA0113:
 Cell Cleaning
 Kit (Male)



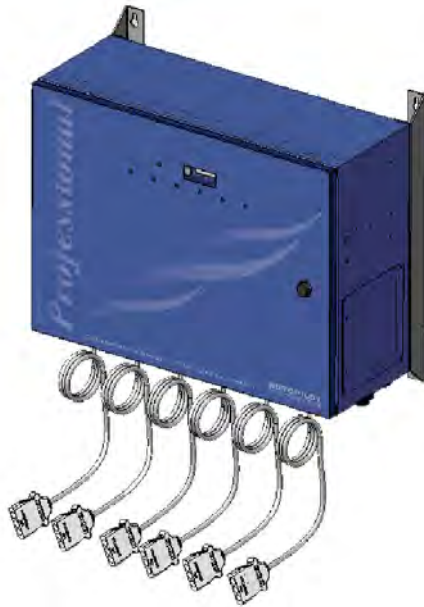
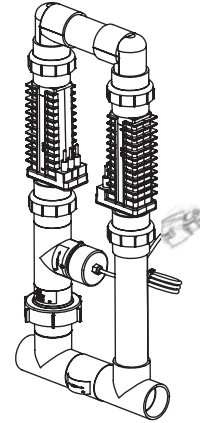
19059:
 Metric Adapter
 63mm ID Slip x 2" Spigot
 Quantity of 2 Needed
 Included in Metric Kits
 ONLY (Not Glued)

POOL PILOT® PROFESSIONAL

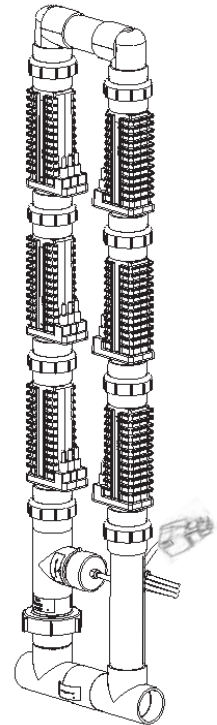
Professional



PRO2US:
Professional System
Includes:
78102A Professional Unit with 2 Power Modules
941-215AC Professional Manifold 2-Cells



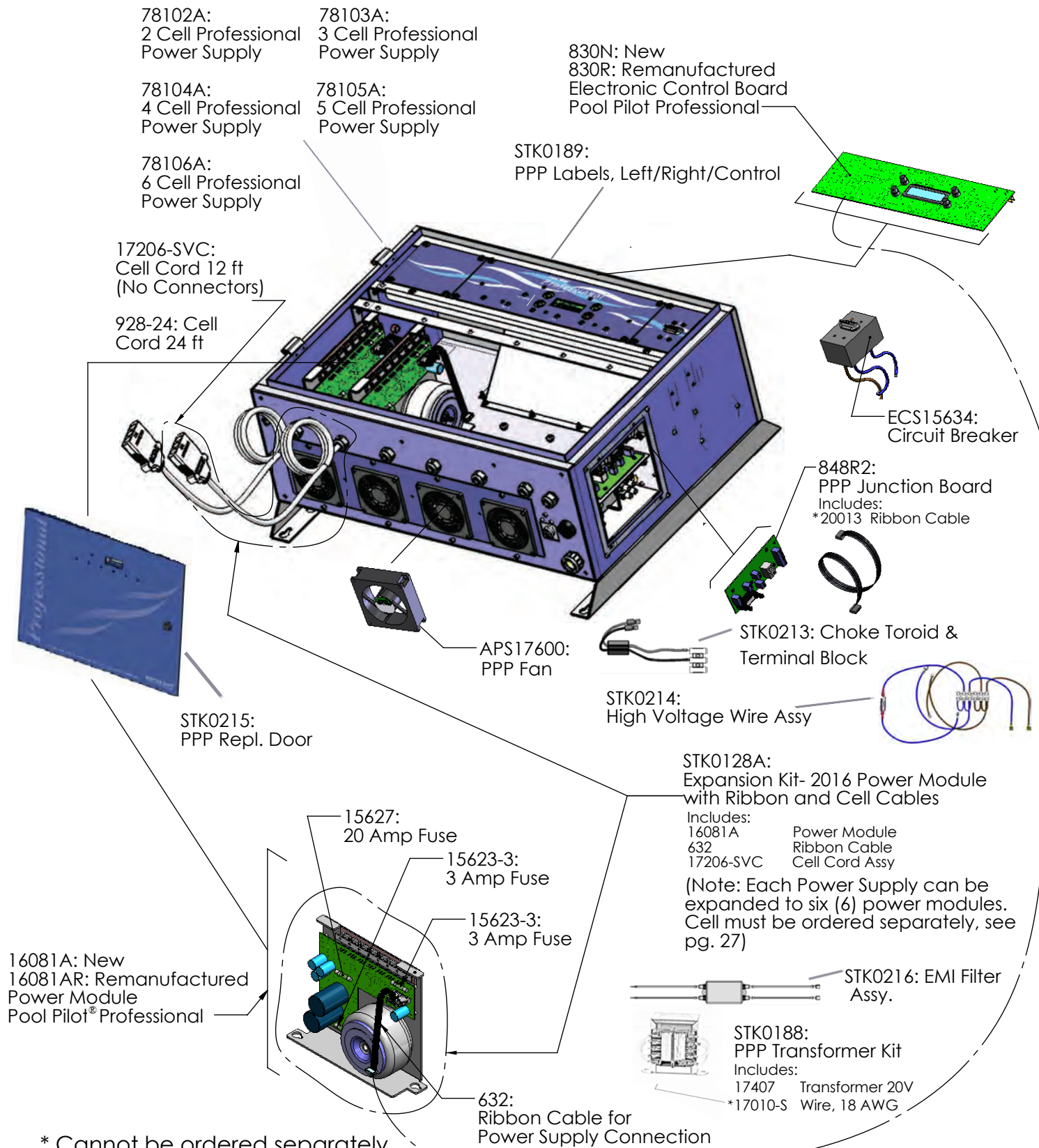
PRO6US:
Professional System
Includes:
78106A Professional Unit with 6 Power Modules
941-615AC Professional Manifold 6-Cells



Complete Systems

PART #	DESCRIPTION
PRO2US	Professional with 2 Power Modules & 2 Comm. Cell Manifold
PRO3US	Professional with 3 Power Modules & 3 Comm. Cell Manifold
PRO4US	Professional with 4 Power Modules & 4 Comm. Cell Manifold
PRO5US	Professional with 5 Power Modules & 5 Comm. Cell Manifold
PRO6US	Professional with 6 Power Modules & 6 Comm. Cell Manifold
PRO2EU	CE Professional with 2 Power Modules & 2 Comm. Cell Manifold
PRO3EU	CE Professional with 3 Power Modules & 3 Comm. Cell Manifold
PRO4EU	CE Professional with 4 Power Modules & 4 Comm. Cell Manifold
PRO5EU	CE Professional with 5 Power Modules & 5 Comm. Cell Manifold
PRO6EU	CE Professional with 6 Power Modules & 6 Comm. Cell Manifold

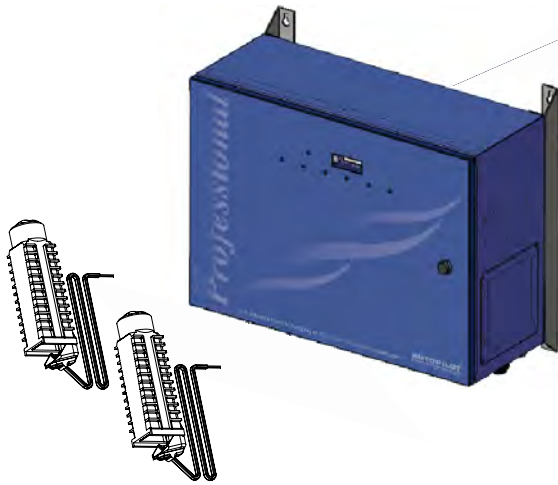
Professional POOL PILOT® PROFESSIONAL (PPP) Power Supply Parts For 78102A - 78106A (78102A Shown)



* Cannot be ordered separately

POOL PILOT® PROFESSIONAL CONVECTION SYSTEM

Professional



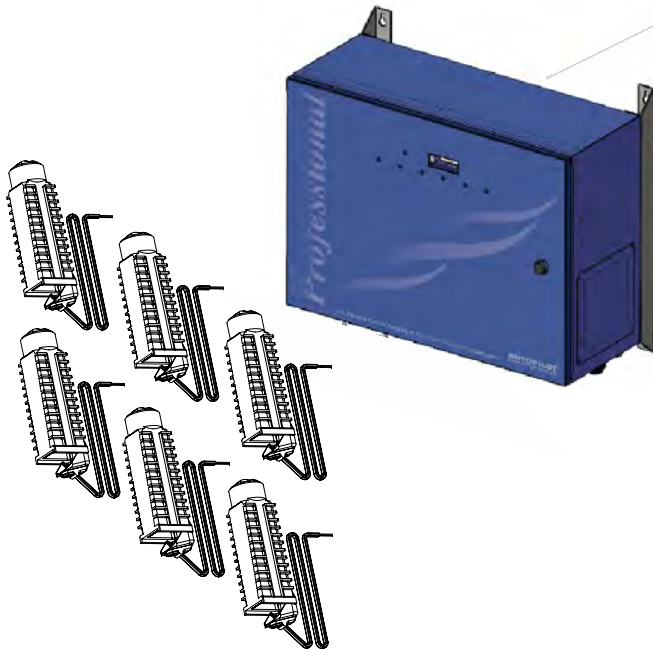
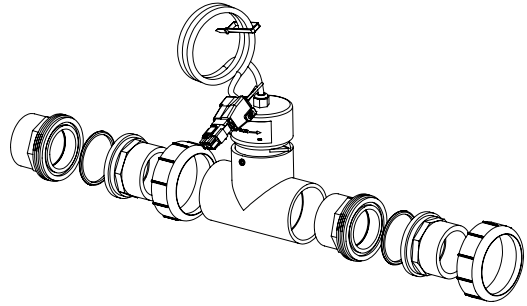
PRO2US-CONV:

Professional System

Includes:

78102A-CONV
PPC5BPCC25
APK0038

Professional Unit with (2) Power Modules
(2) Commercial Convection Cells
Tri-Sensor Assy for Convection Cell



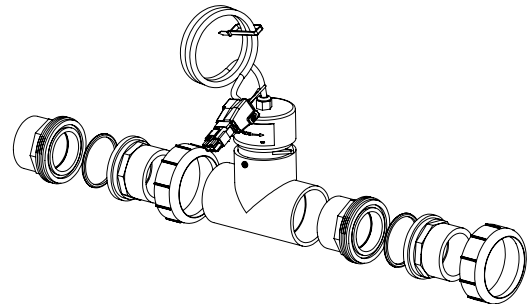
PRO6US-CONV:

Professional System

Includes:

78106A-CONV
PPC5BPCC25
APK0038

Professional Unit with (6) Power Modules
(6) Commercial Convection Cells
Tri-Sensor Assy for Convection Cell



Complete Systems

PART #	DESCRIPTION
PRO2US-CONV	Professional with 2 Power Modules, 2 Comm. Convection Cells & Tri-sensor Assy
PRO3US-CONV	Professional with 3 Power Modules, 3 Comm. Convection Cells & Tri-sensor Assy
PRO4US-CONV	Professional with 4 Power Modules, 4 Comm. Convection Cells & Tri-sensor Assy
PRO5US-CONV	Professional with 5 Power Modules, 5 Comm. Convection Cells & Tri-sensor Assy
PRO6US-CONV	Professional with 6 Power Modules, 6 Comm. Convection Cells & Tri-sensor Assy

Professional POOL PILOT® PROFESSIONAL (PPP)

Power Supply Parts For 78102A-CONV--78106A-CONV (78102A-CONV Shown)

78102A-CONV:
2 Cell Professional
Power Supply

78103A-CONV:
3 Cell Professional
Power Supply

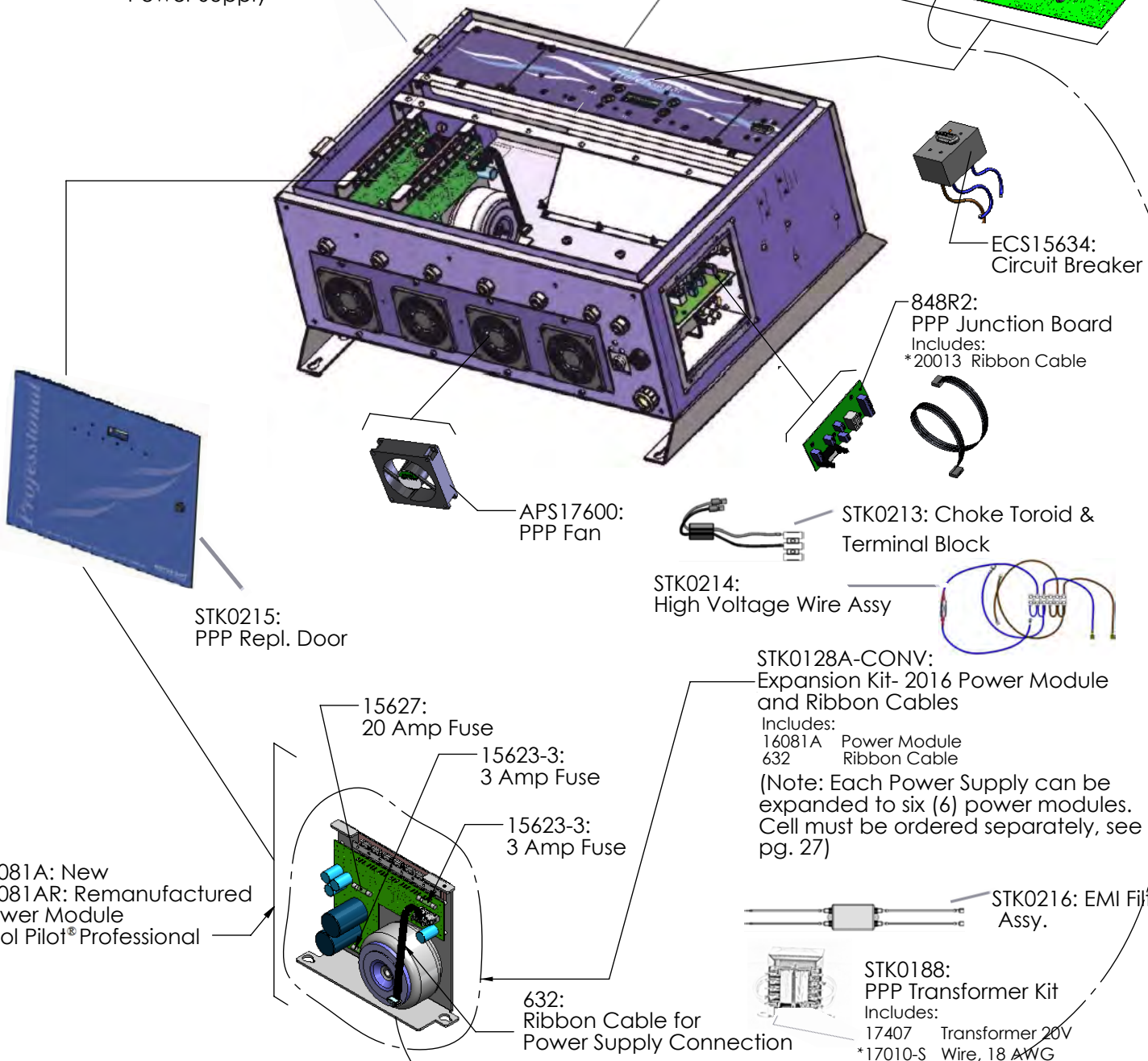
78104A-CONV:
4 Cell Professional
Power Supply

78105A-CONV:
5 Cell Professional
Power Supply

78106A-CONV:
6 Cell Professional
Power Supply

830N: New
830R: Remanufactured
Electronic Control Board
Pool Pilot Professional

STK0189:
PPP Labels, Left/Right/Control



16081A: New
16081AR: Remanufactured
Power Module
Pool Pilot® Professional

STK0215:
PPP Repl. Door

APS17600:
PPP Fan

ECS15634:
Circuit Breaker

848R2:
PPP Junction Board
Includes:
*20013 Ribbon Cable

STK0213: Choke Toroid &
Terminal Block

STK0214:
High Voltage Wire Assy

STK0128A-CONV:
Expansion Kit- 2016 Power Module
and Ribbon Cables
Includes:
16081A Power Module
632 Ribbon Cable
(Note: Each Power Supply can be
expanded to six (6) power modules.
Cell must be ordered separately, see
pg. 27)

STK0216: EMI Filter
Assy.

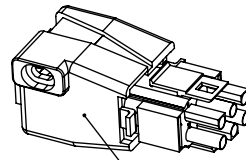
STK0188:
PPP Transformer Kit
Includes:
17407 Transformer 20V
*17010-S Wire, 18 AWG

632:
Ribbon Cable for
Power Supply Connection

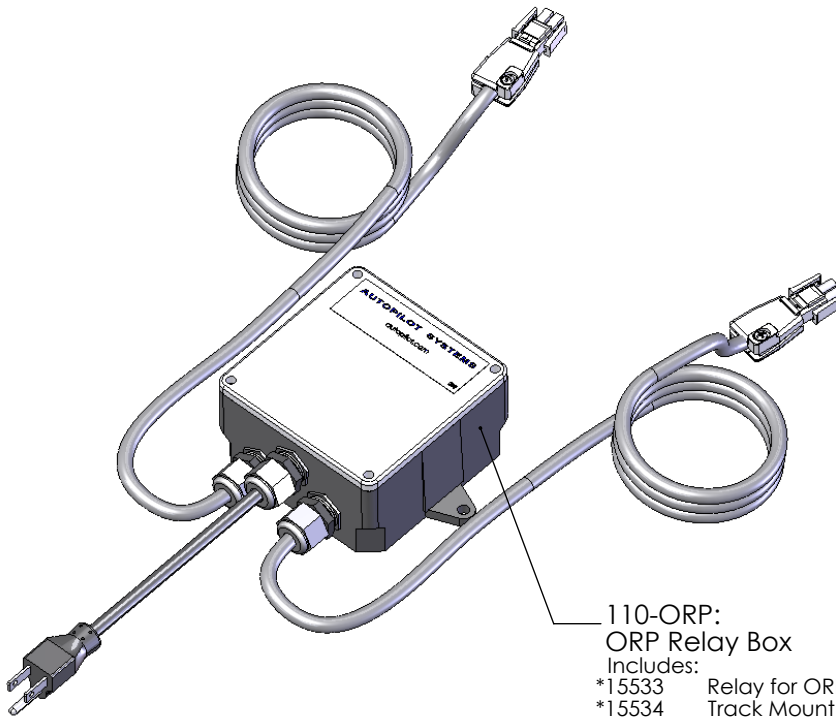
*Cannot be ordered separately

POWER SUPPLY ACCESSORIES

Professional



986-ST:
Tri-Sensor Simulator
(Simulates APA0003)



110-ORP:
ORP Relay Box

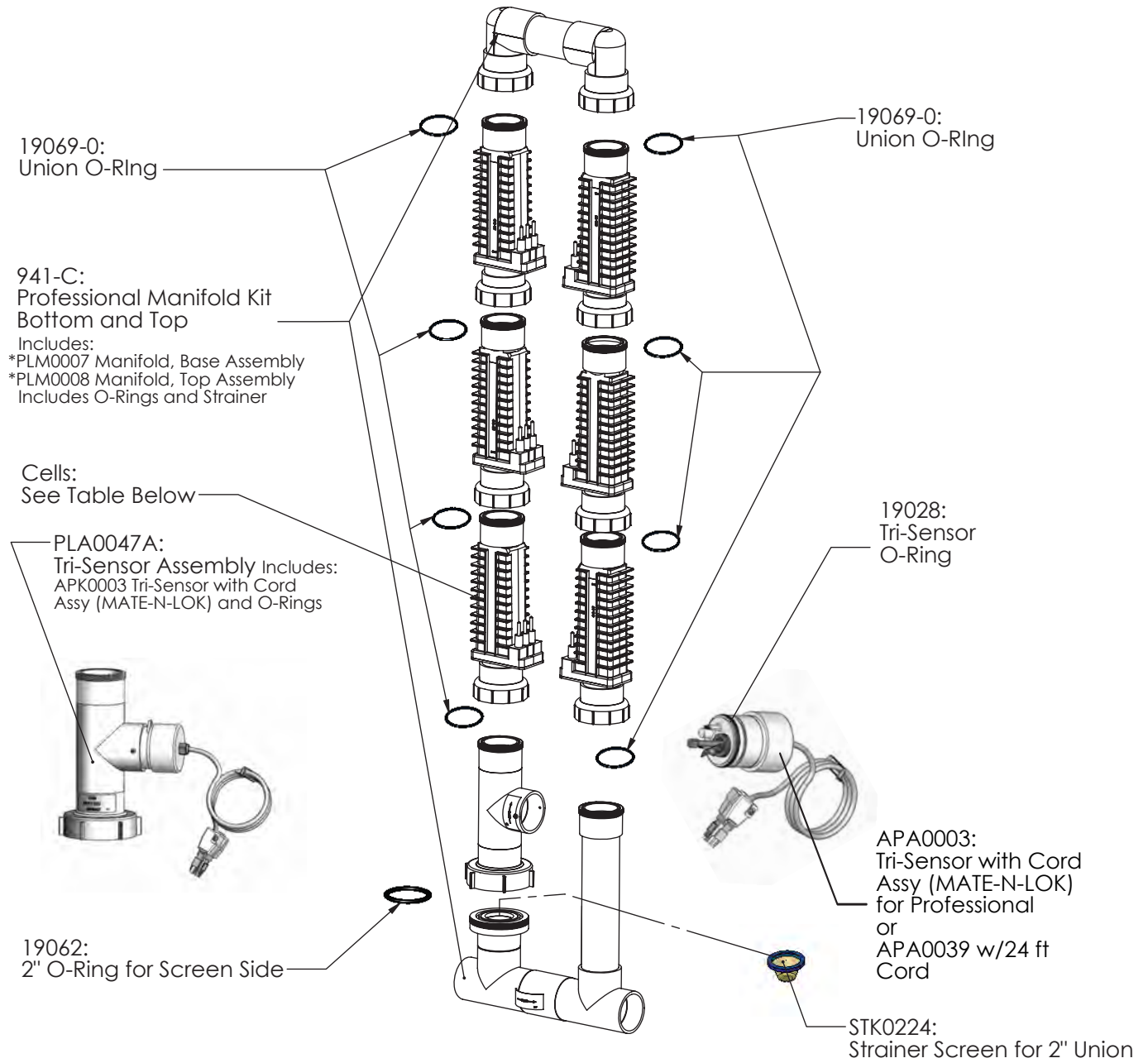
Includes:

- *15533 Relay for ORP
- *15534 Track Mount Socket
- *15537 Junction Box 4x4x2
- *19078 Connector Cable Clamp
- *19078N Nut for Cable Clamp
- *ECA0085 Flow Switch Cable Assy (12 ft), 2X
- *17220 Cord 110V #16 AWG (6 ft)
- *15402-1 Screw(s) #6-32 x 1/4 PPMS SS
- *ECP0069 Cable Clamp

* Cannot be ordered separately

Professional PROFESSIONAL SYSTEM MANIFOLDS

For 941-215AC - 941-615AC (941-615AC Shown)

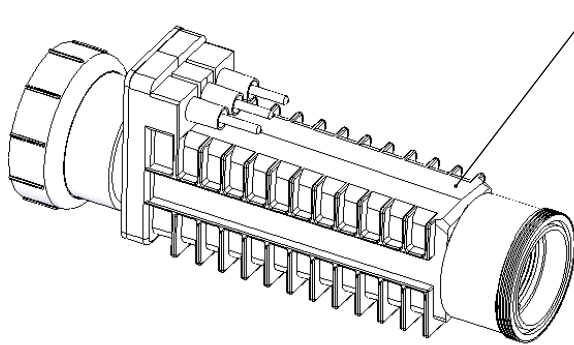


PART#	DESCRIPTION	PAGE #
941-215AC	Manifold Commercial with 2 PPC5MF Cells	27
941-315AC	Manifold Commercial with 3 PPC5MF Cells	27
941-415AC	Manifold Commercial with 4 PPC5MF Cells	27
941-515AC	Manifold Commercial with 5 PPC5MF Cells	27
941-615AC	Manifold Commercial with 6 PPC5MF Cells	27

*Cannot be ordered separately

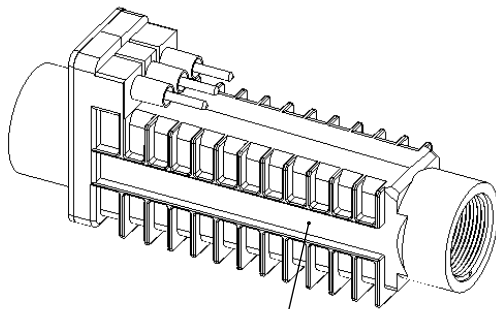
CELL OPTIONS

Professional

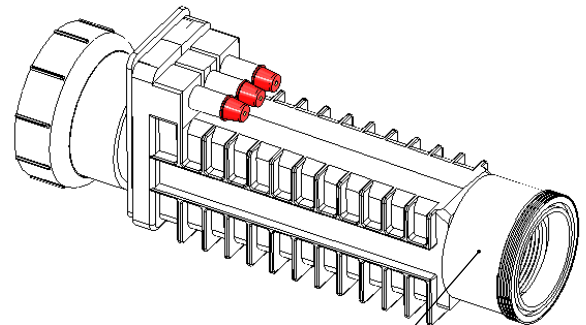


PPC5MF:
PPC5 Replacement Cell
Male/Female Unions
(Commercial)
for Multiple Cell Manifolds

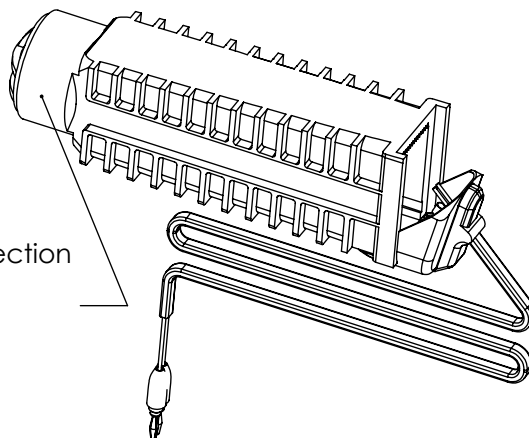
Note: When ordering STK0128A (see pg. 22 or 24) to expand a Professional System, also order one (1) PPC5MF per STK0128. If the number of PPC5MF cell(s) is odd in the completed Professional Manifold, then also order one (1) 938-SC Spacer Cell to bring the number of cells up to an even number, if the existing manifold does not already have a 938-SC. Each Professional Manifold can be expanded to six (6) cells.



PPC5NU:
PPC5 Replacement Cell with
No Unions (Commercial)



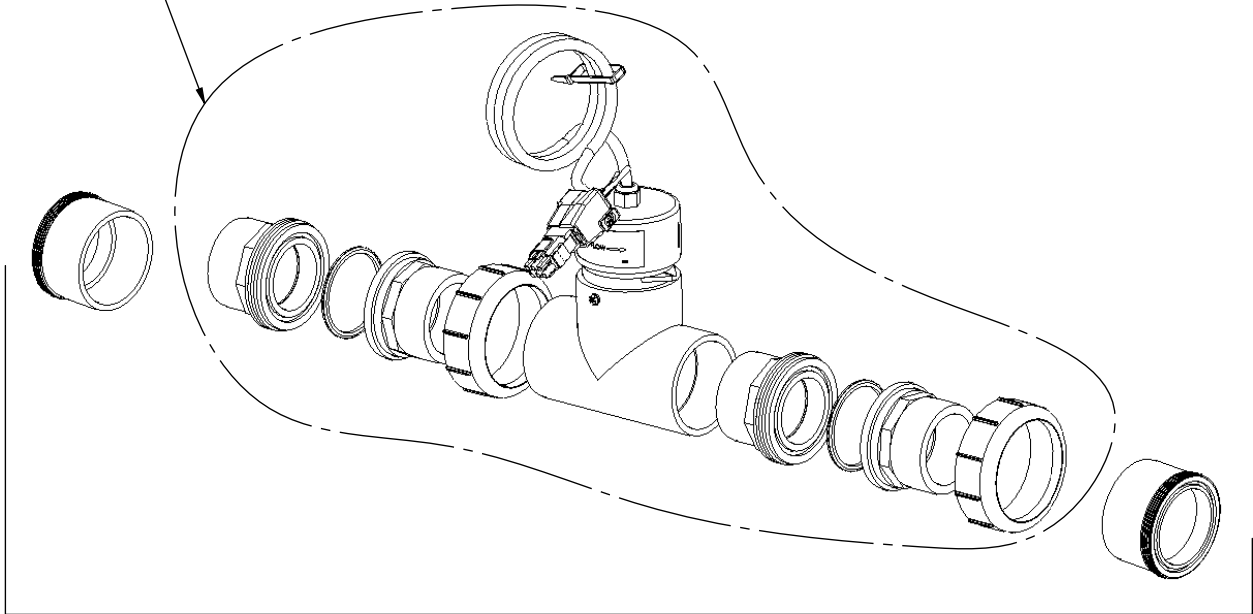
938-SC:
Spacer Cell
for Multiple Cell
Manifolds



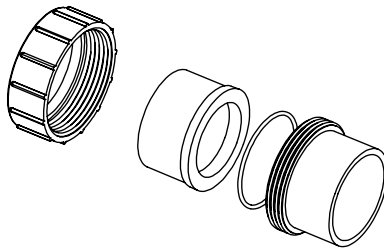
PPC5BPCC25:
PPC5 Replacement Cell Convection
with Banana Plugs
25 ft Cord

MANIFOLD ACCESSORIES/TOOLS

- APK0038:
 Tri-Sensor Assy for Convection Cell Applications
 Includes:
 401-020 2" T Slip x Slip x Slip
 312-A-SVC Union Nut
 312-F 2" Spigot/1.5" Slip X Female Union
 312-C-SVC Union Half, 1.5" Slip/2" Spigot x Male Thread Union
 * 15405 HDW Screw #6x1/2 PPSMS SS
 APA0003 Tri-Sensor with Cord Assy 12 ft



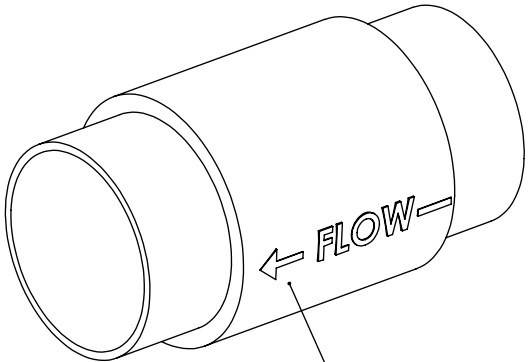
- APA0065:
 Inline Conversion Kit
 Same as APK0038 Kit above but with additional
 two 312-D Union Halves, 2" S x MT Union



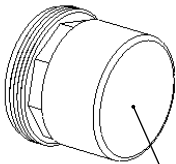
- PLS2627:
 Union Kit
 Includes:
 312-A-SVC Union Nut
 312-B-SVC Union Half, 2" Slip x Female Union
 312-D Union Half, 2" Slip x Male Thread Union (with O-Ring 19069-0)
 or
 PLS0001:
 Union Kit-Pack of 10 PLS2627

*Cannot be ordered separately

MANIFOLD ACCESSORIES/TOOLS Professional

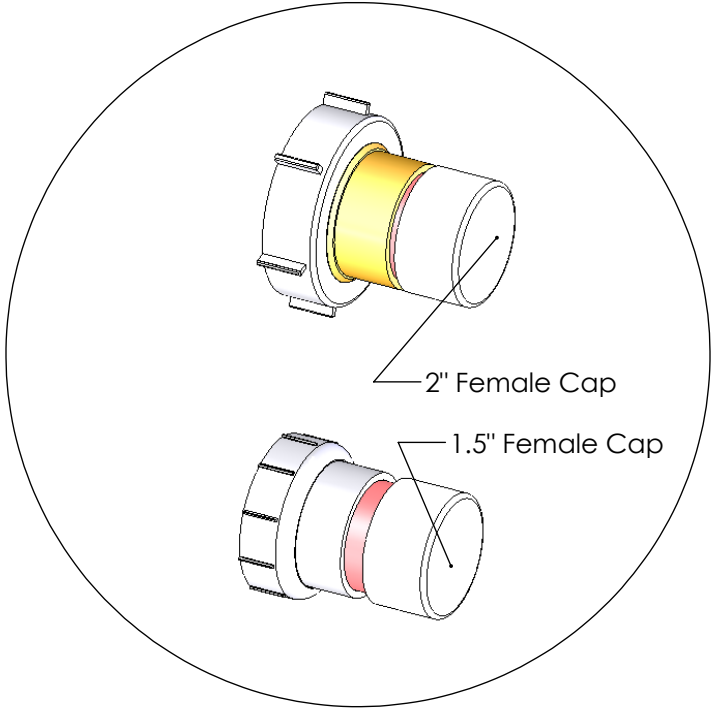


PLS19096:
2" Check Valve 5 lbs



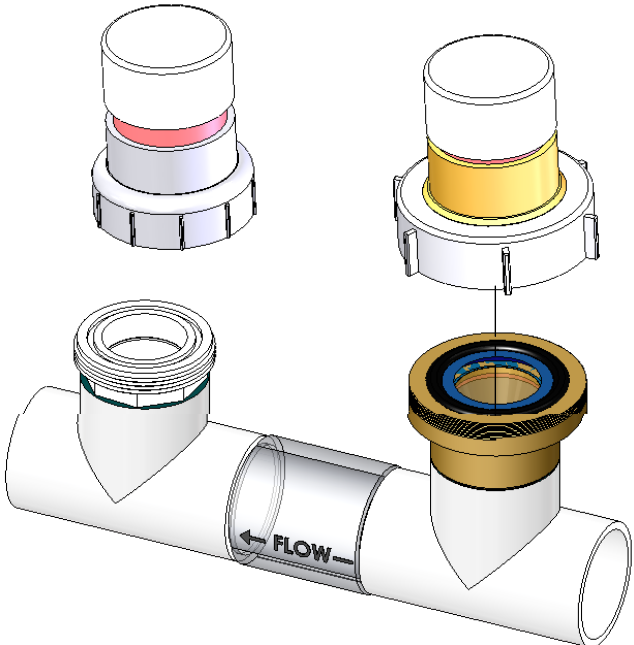
PLA0113:
Cell Cleaning
Kit (Male)

996:
Cap Kit



2" Female Cap

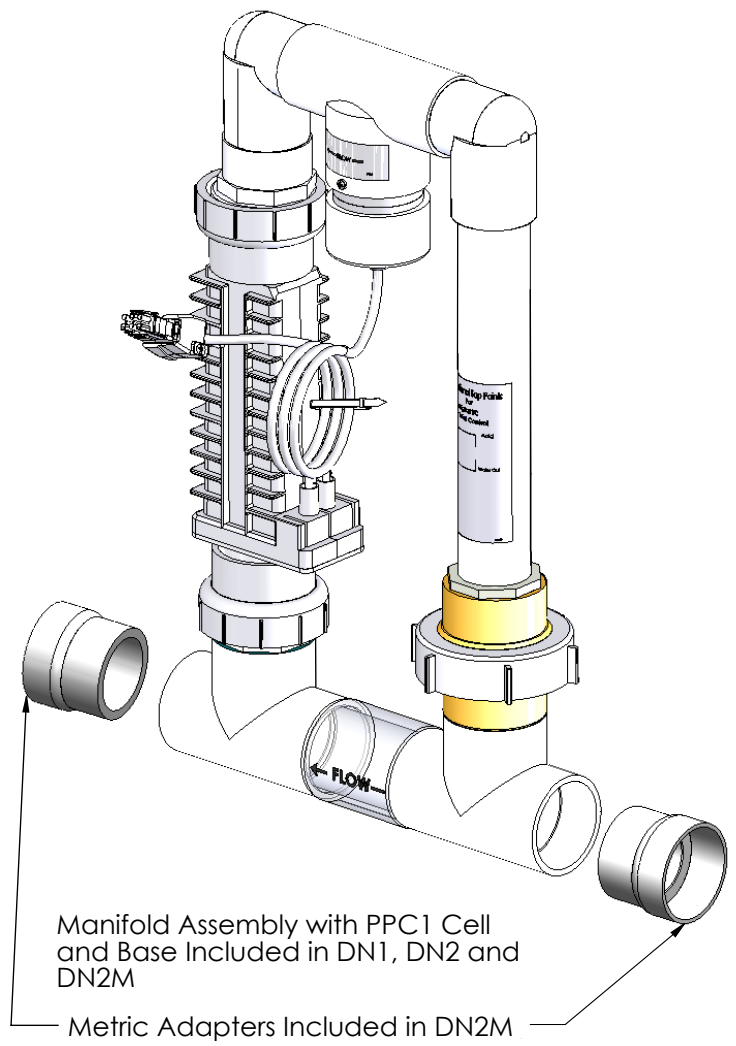
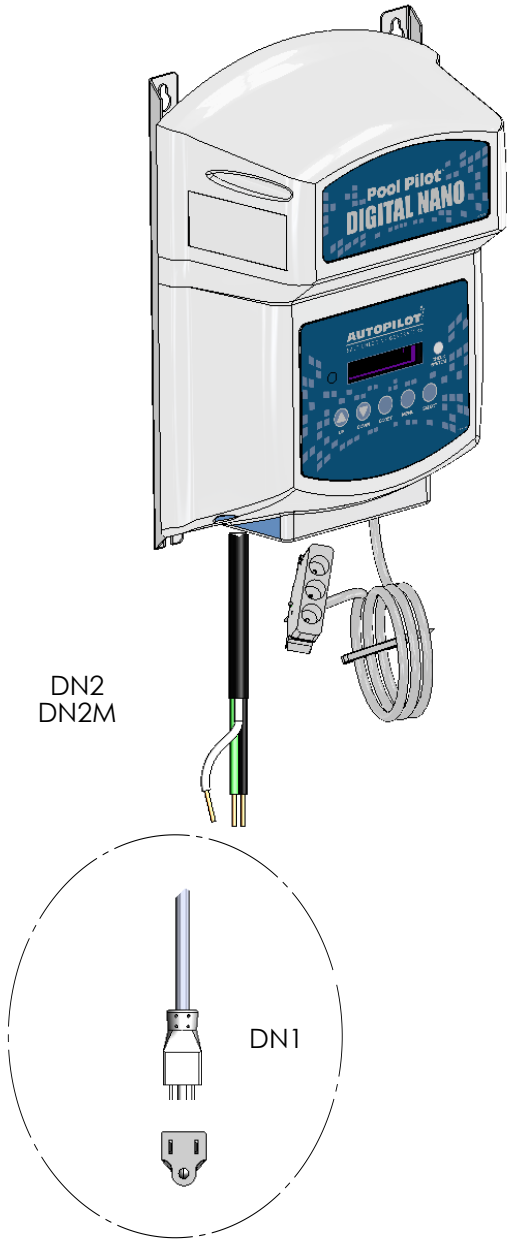
1.5" Female Cap



996 Shown on Manifold
Base Assembly

DIGITAL NANO SYSTEMS

Digital Nano

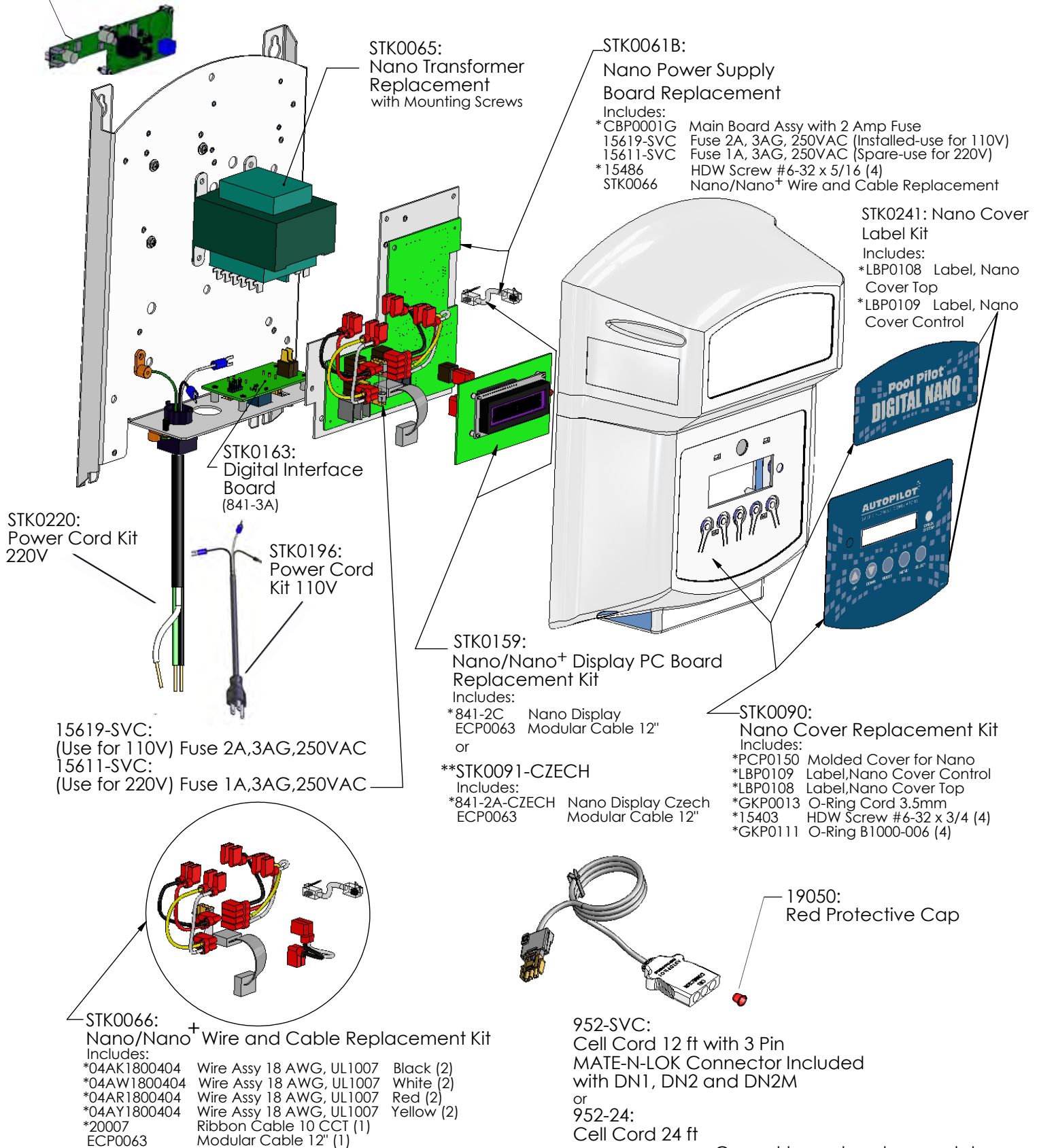


PART #	DESCRIPTION
DN1	Digital Nano, 115V with PPM1 Manifold, Eng, Esp, Fra, Ger, Ita, Ces Languages
DN2	Digital Nano, 220V with PPM1 Manifold, Eng, Esp, Fra, Ger, Ita, Ces Languages
DN2M	Digital Nano, 220V CE with PPM1M Manifold and Metric Adapters Eng, Esp, Fra, Ger, Ita, Ces Languages

Digital Nano

STK0156:
Kit for Nano Expansion Board:
See pg. 45 for parts breakdown

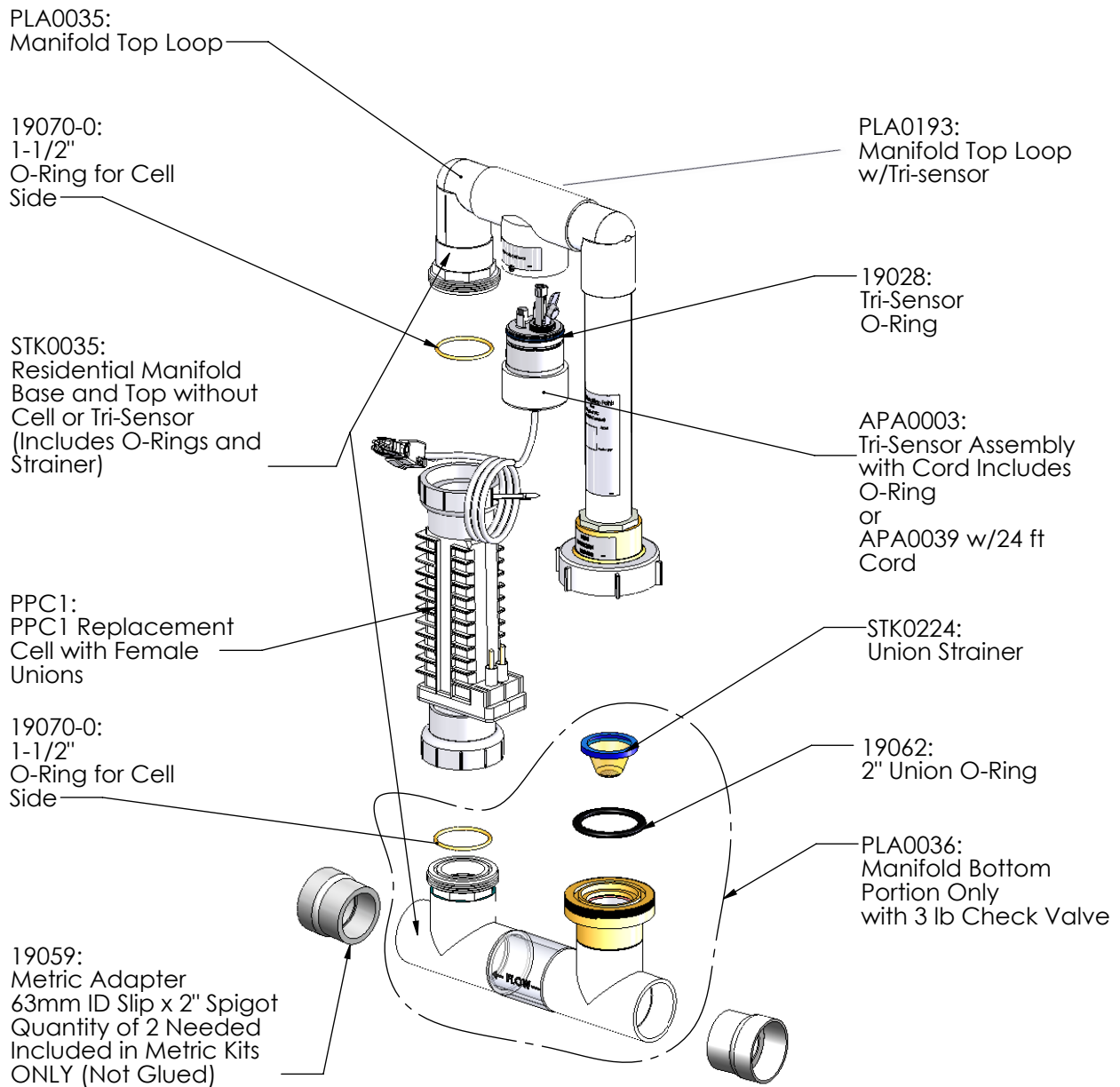
DIGITAL NANO Power Supply Parts



* Cannot be ordered separately
** For DN2M-CZECH

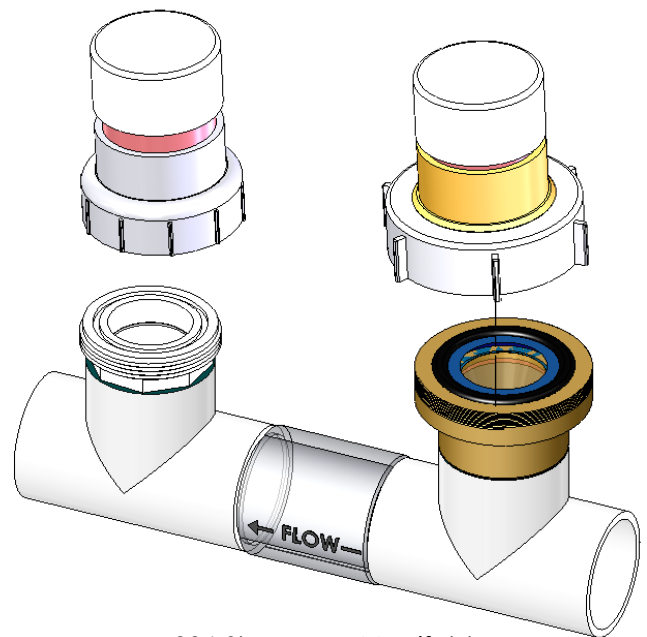
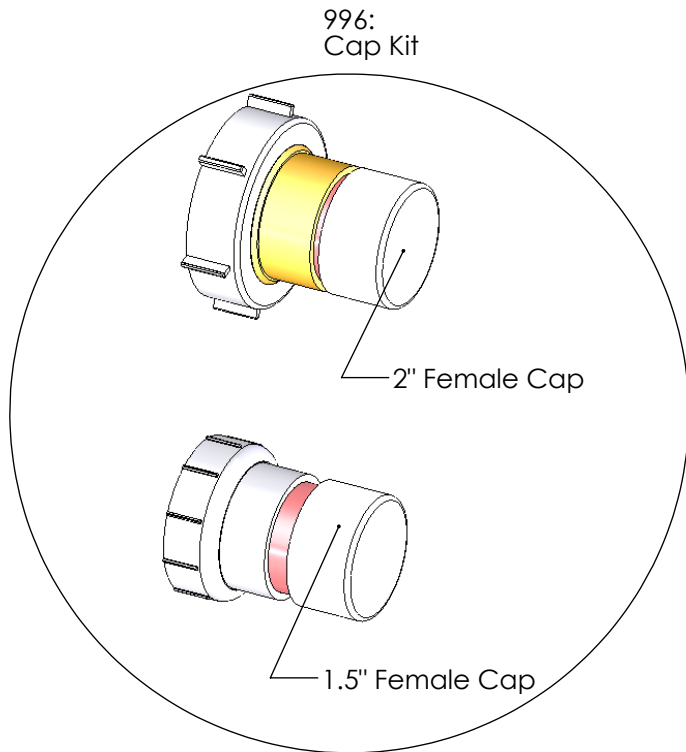
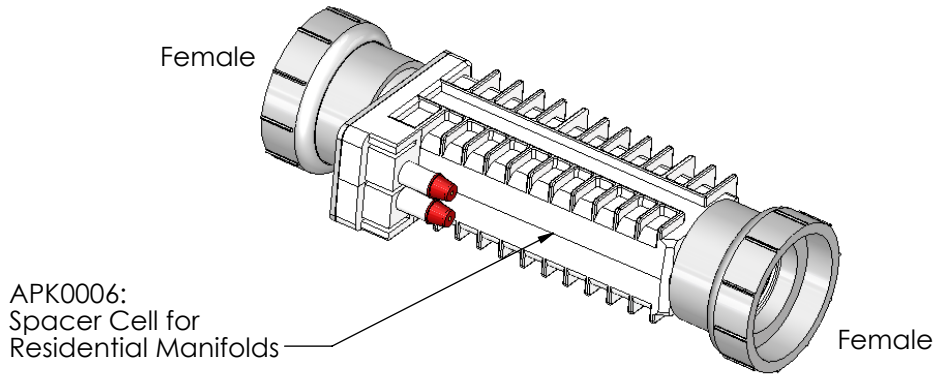
SINGLE SYSTEM MANIFOLDS

Digital Nano

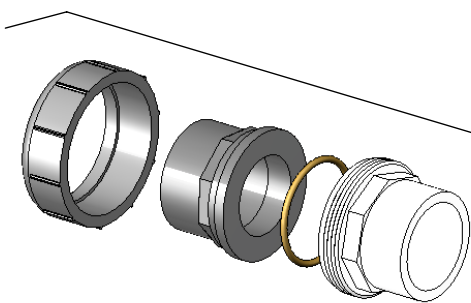


PART #	DESCRIPTION
PPM1	Manifold Assy with PPC1 Cell
PPM1M	Manifold Assy with PPC1 Cell and Metric Adapters

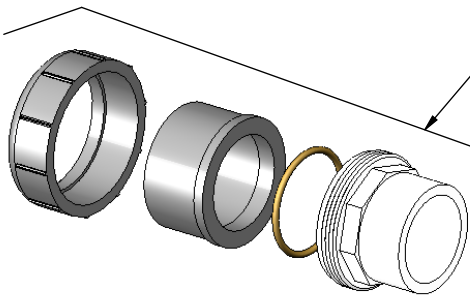
Digital Nano MANIFOLD ACCESSORIES/TOOLS



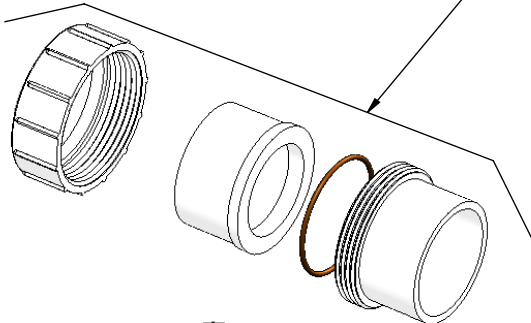
MANIFOLD ACCESSORIES/TOOLS Digital Nano



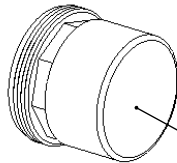
19073:
 Union Kit
 Includes:
 312-A-SVC Union Nut
 312-F Union Half, 2" Spigot/1.5" Slip X Female Union
 19070-0 1-1/2" O-Ring
 312-C-SVC Union Half, 1.5" Slip/2" Spigot x Male Thread Union



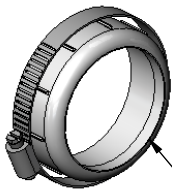
19070:
 Union Kit
 Includes:
 312-A-SVC Union Nut
 312-B-SVC Union Half, 2" Slip x Female Union
 19070-0 1-1/2" O-Ring
 312-C-SVC Union Half, 1.5" Slip/2" Spigot x Male Thread Union



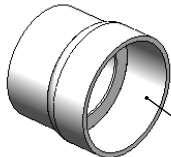
PLS2627:
 Union Kit
 Includes:
 312-A-SVC Union Nut
 312-B-SVC Union Half, 2" Slip x Female Union
 312-D Union Half, 2" Slip x Male Thread Union
 (with O-Ring 19069-0)
 or
 PLS0001:
 Union Kit-Pack of 10 PLS2627



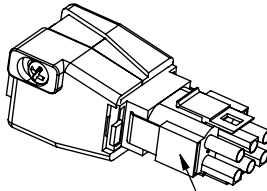
PLA0113:
 Cell Cleaning
 Kit (Male)



STK0048:
 Cracked Union Nut
 Service Kit



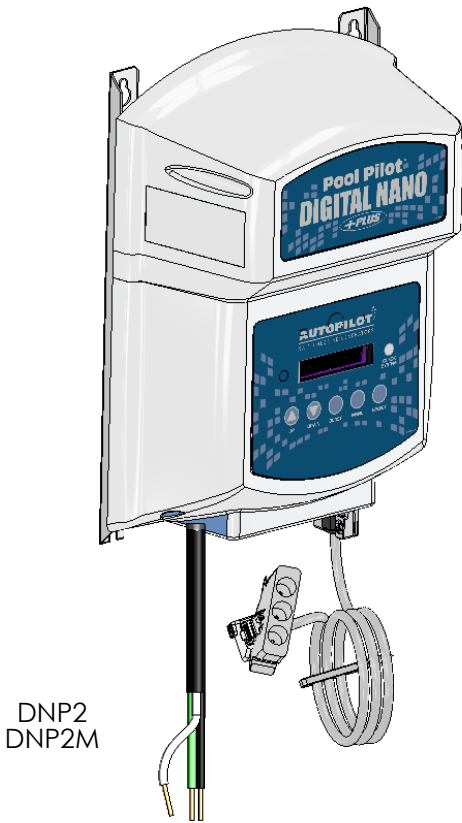
19059:
 Metric Adapter
 63mm ID Slip x 2" Spigot
 Quantity of 2 Needed
 Included in Metric Kits
 ONLY (Not Glued)



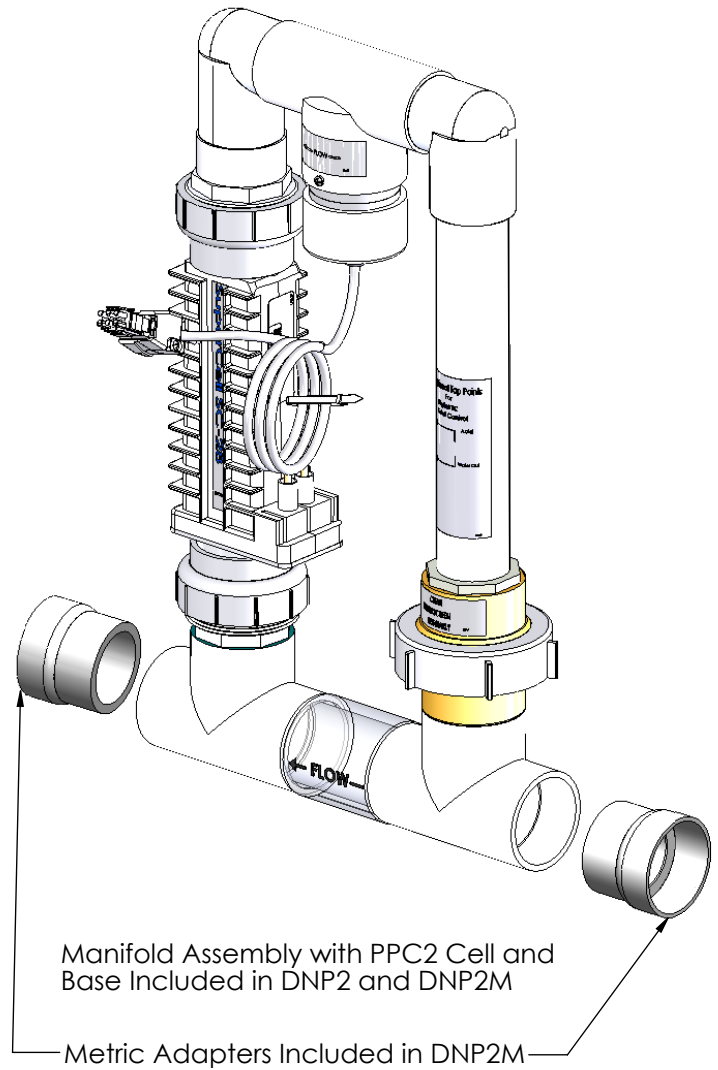
986-ST:
 Tri-Sensor Simulator
 (Simulates APA0003)

DIGITAL NANO⁺ SYSTEMS

Digital Nano⁺



DNP2
DNP2M



Manifold Assembly with PPC2 Cell and Base Included in DNP2 and DNP2M

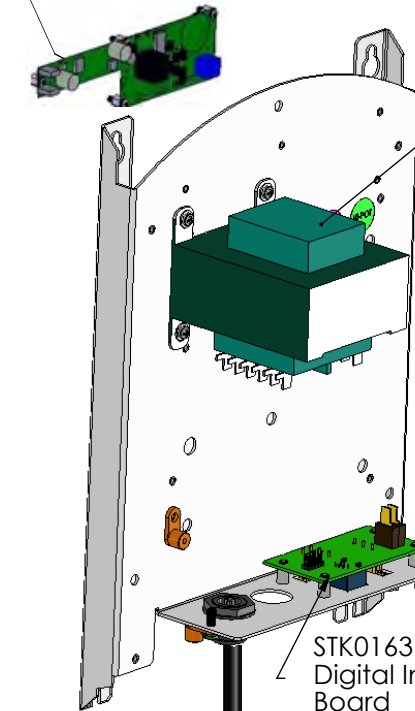
Metric Adapters Included in DNP2M

PART #	DESCRIPTION
DNP2	Digital Nano ⁺ , 110/220V with PPM2 Manifold, Eng, Esp, Fra, Ger, Ita, Ces Languages
DNP2M	Digital Nano ⁺ , 110/220V with PPM2M Manifold, Eng, Esp, Fra, Ger, Ita, Ces Languages

DIGITAL NANO⁺ SYSTEMS

Power Supply Parts

STK0156:
Kit for Nano Expansion Board:
See pg. 55 for parts breakdown



STK0124:
Nano⁺ Transformer
Replacement
with Mounting Screws

STK0123A:
Nano⁺ Power Supply
Board Replacement
Includes:
*CBA0001H Main Board Assy with 2 Amp Fuse
15619-SVC Fuse 2 A, 3AG, 250VAC (Installed-use for 110V)
15611-SVC Fuse 1 A, 3AG, 250VAC (Spare-use for 220V)
*15486 HDW Screw #6-32 x 5/16 (4)
STK0066 Nano/Nano⁺ Wire and Cable Replacement

STK0163:
Digital Interface
Board
(841-3A)

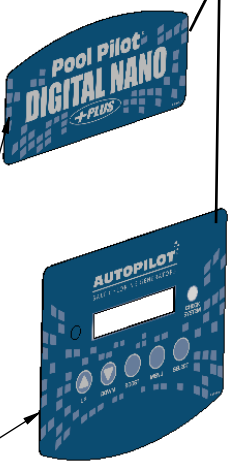
STK0220:
Power Cord Kit
220V

STK0196:
Power Cord
Kit 110V

STK0242: Nano⁺ Cover
Label Kit
Includes:
*LBP0237 Label, Nano⁺
Top Cover
*LBP0109 Label, Nano
Cover Control

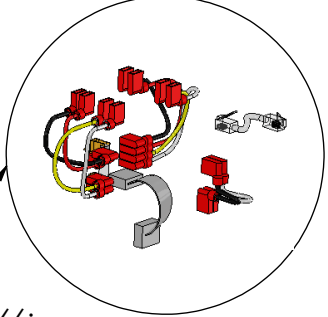


STK0159:
Nano/Nano⁺ Display PC Board
Replacement Kit
Includes:
*841-2C Nano Display
ECP0063 Modular Cable 12"

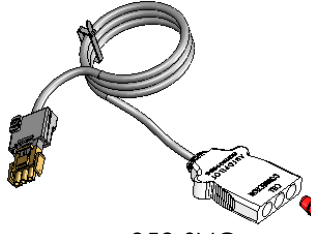


STK0125:
Nano⁺ Cover Replacement Kit
Includes:
*PCP0150 Molded Cover for Nano
*LBP0109 Label, Nano Cover Control
*LBP0237 Label, Nano⁺ Top Cover
*GKP0013 O-Ring Cord 3.5mm
*15403 HDW Screw #6-32 x 3/4 (4)
*GKP0111 O-Ring B1000-006 (4)

15619-SVC:
(Use for 110V) Fuse 2A,3AG,250VAC
15611-SVC:
(Use for 220V) Fuse 1A,3AG,250VAC



STK0066:
Nano/Nano⁺ Wire and Cable Replacement Kit
Includes:
*04AK1800404 Wire Assy 18 AWG, UL1007 Black (2)
*04AW1800404 Wire Assy 18 AWG, UL1007 White (2)
*04AR1800404 Wire Assy 18 AWG, UL1007 Red (2)
*04AY1800404 Wire Assy 18 AWG, UL1007 Yellow (2)
*20007 Ribbon Cable 10 CCT (1)
ECP0063 Modular Cable 12" (1)



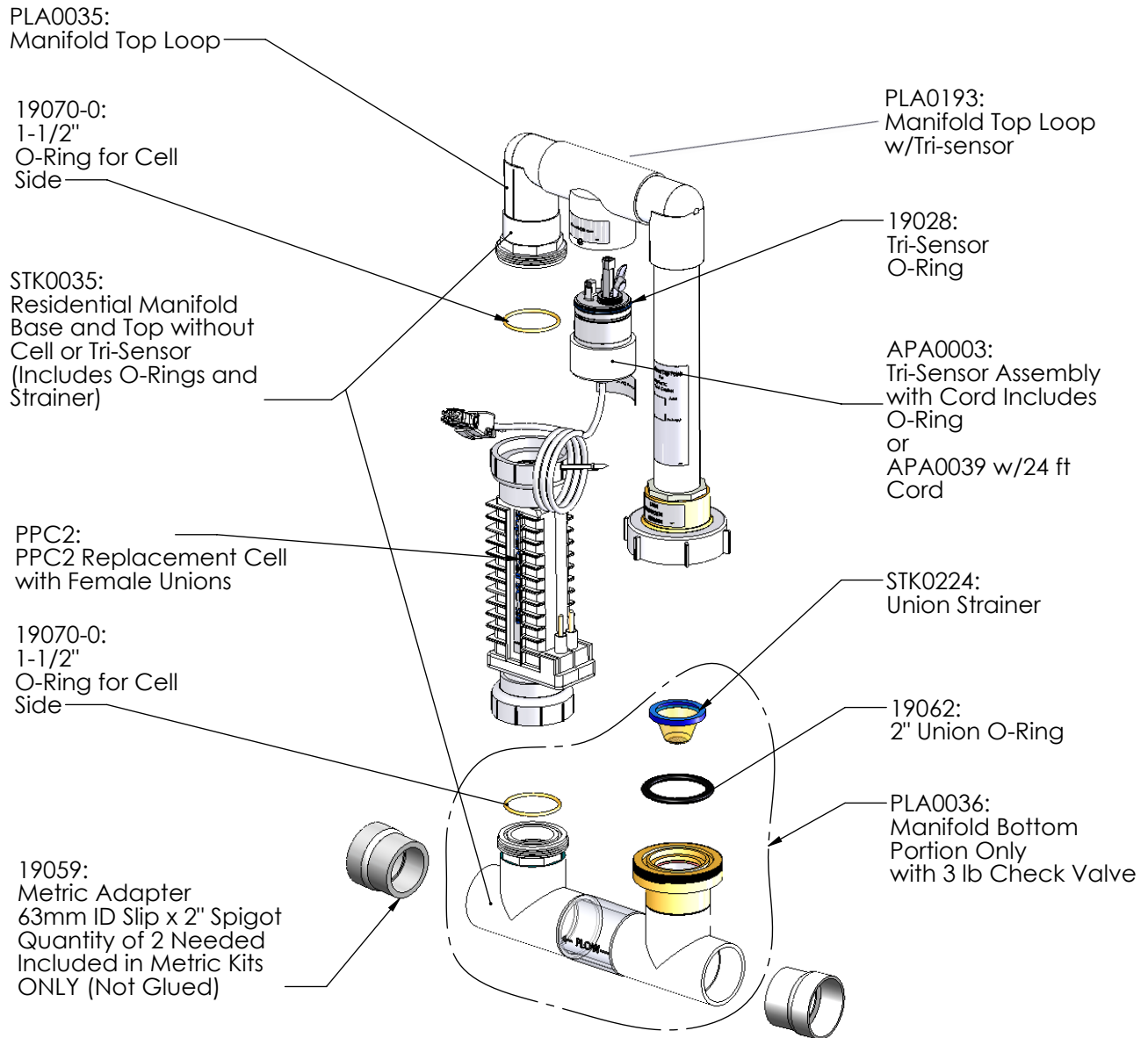
19050:
Red Protective Cap

952-SVC:
Cell Cord 12 ft with 3 Pin
MATE-N-LOK Connector Included with
DNP1, DNP2 and DNP2M
or
952-24:
Cell Cord 24 ft

*Cannot be ordered separately

SINGLE SYSTEM MANIFOLDS

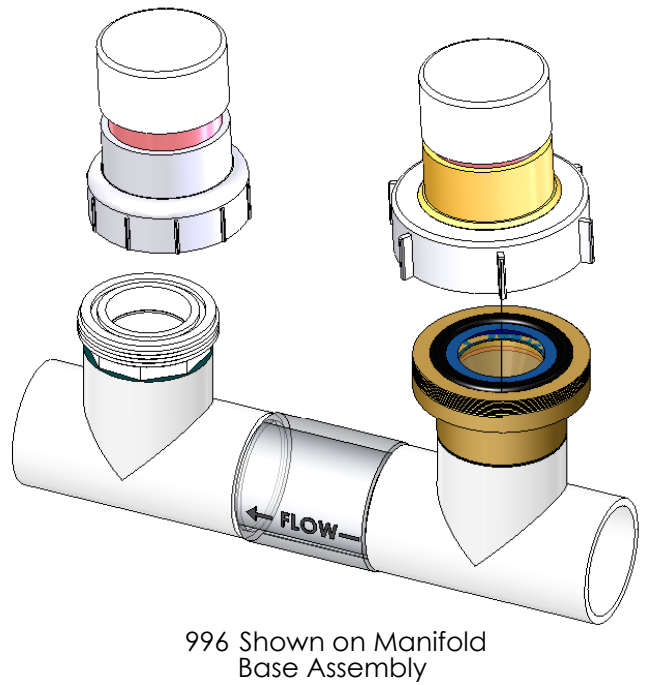
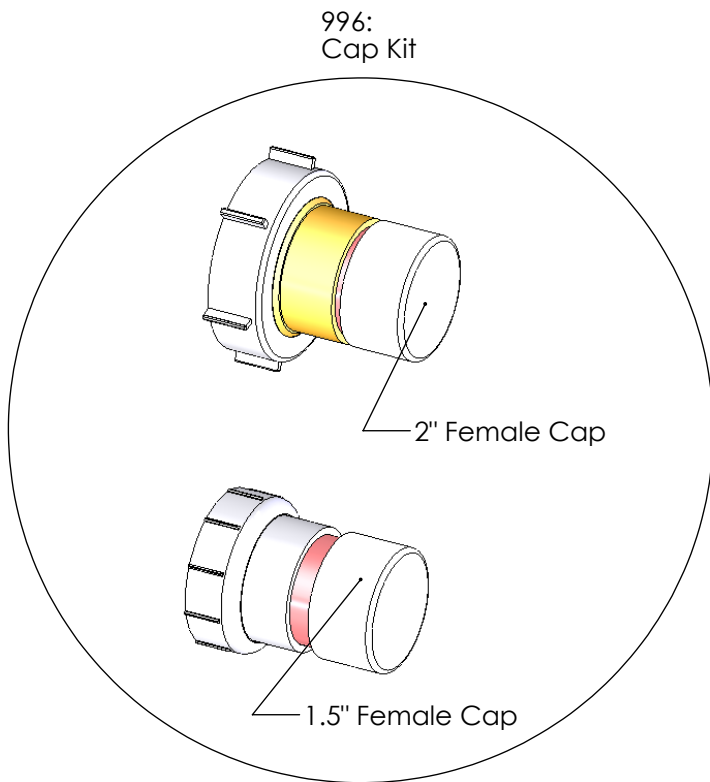
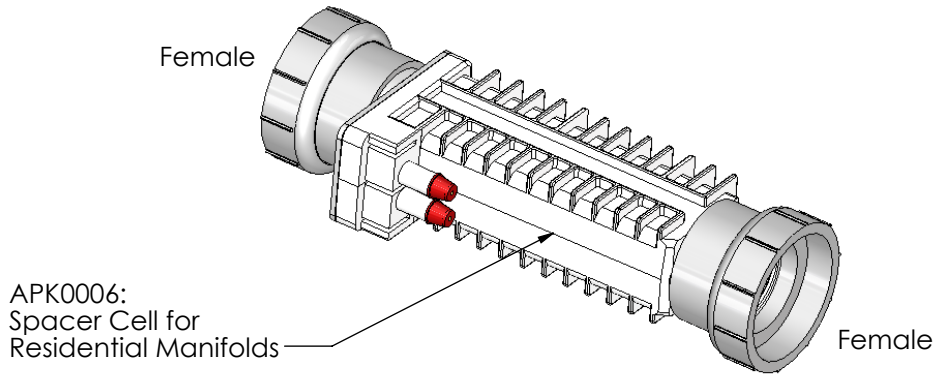
Digital Nano⁺



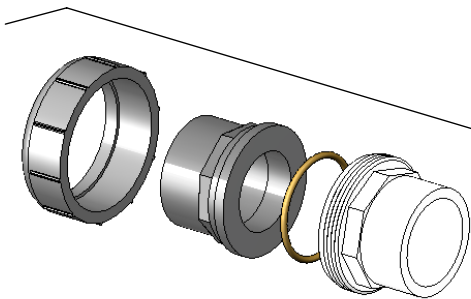
PART #	DESCRIPTION
*PPM2	Manifold Assy with PPC2 Cell
*PPM2M	Manifold Assy with PPC2 Cell and Metric Adapters

*Cannot be ordered separately

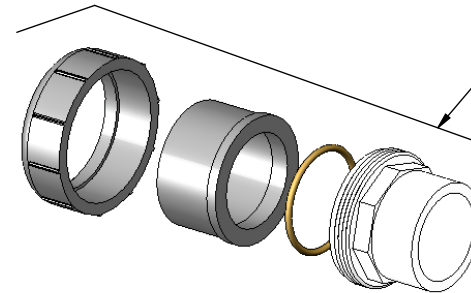
Digital Nano⁺ MANIFOLD ACCESSORIES/TOOLS



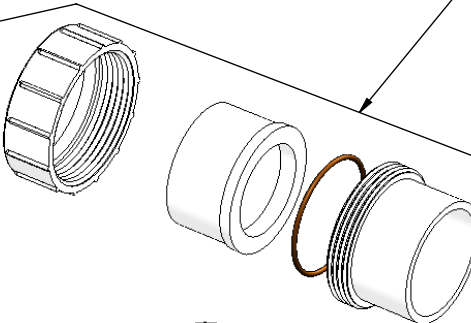
MANIFOLD ACCESSORIES/TOOLS Digital Nano⁺



19073:
 Union Kit
 Includes:
 312-A-SVC Union Nut
 312-F Union Half, 2" Spigot/1.5" Slip X Female Union
 19070-0 1-1/2" O-Ring
 312-C-SVC Union Half, 1.5" Slip/2" Spigot x Male Thread Union

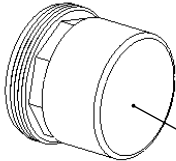


19070:
 Union Kit
 Includes:
 312-A-SVC Union Nut
 312-B-SVC Union Half, 2" Slip x Female Union
 19070-0 1-1/2" O-Ring
 312-C-SVC Union Half, 1.5" Slip/2" Spigot x Male Thread Union

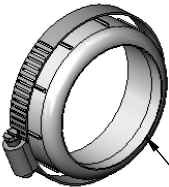


PLS2627:
 Union Kit
 Includes:
 312-A-SVC Union Nut
 312-B-SVC Union Half, 2" Slip x Female Union
 312-D Union Half, 2" Slip x Male Thread Union
 (with O-Ring 19069-0)

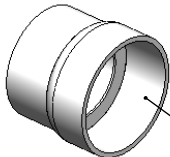
or
 PLS0001:
 Union Pack of 10 PLS2627



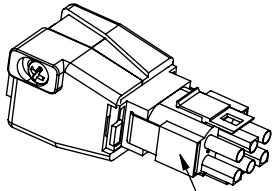
PLA0113:
 Cell Cleaning
 Kit (Male)



STK0048:
 Cracked Union Nut
 Service Kit



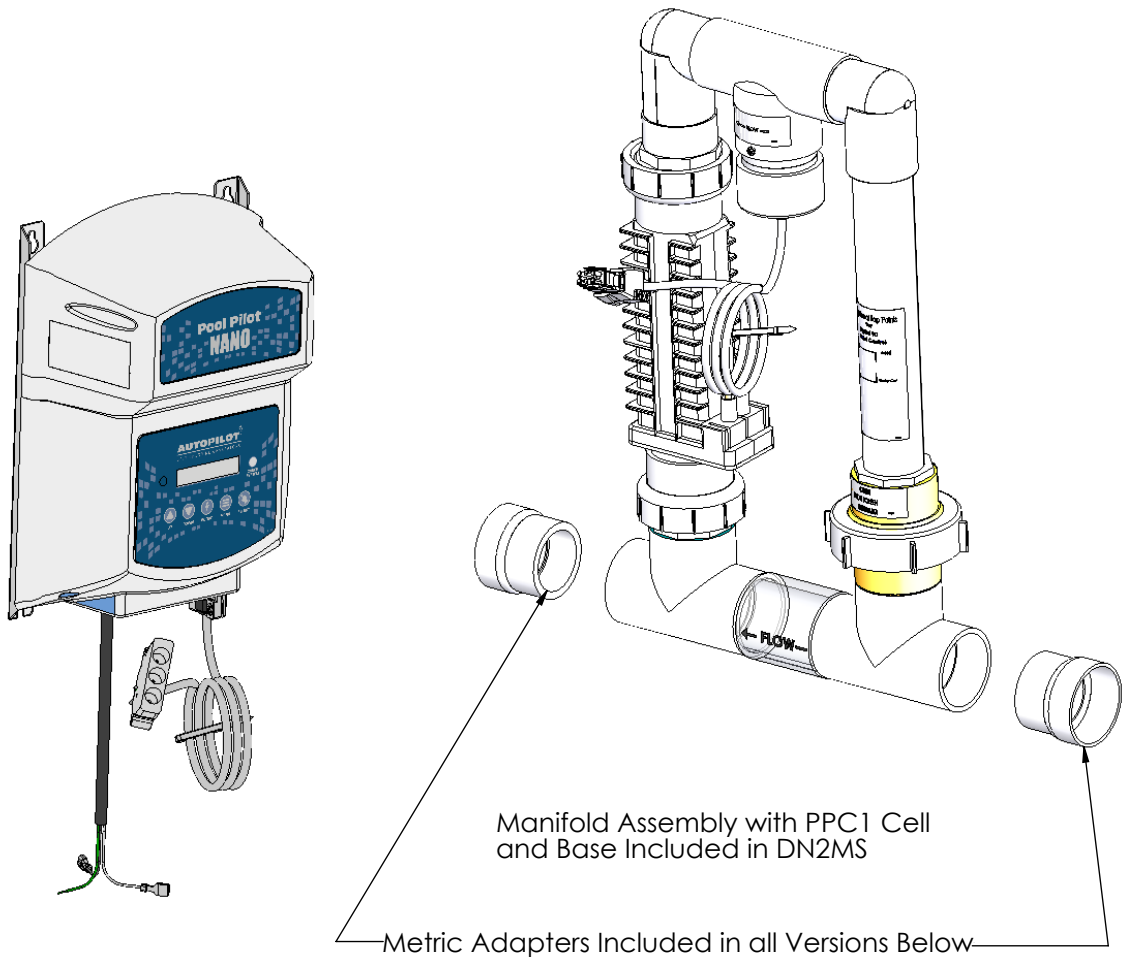
19059:
 Metric Adapter
 63mm ID Slip x 2" Spigot
 Quantity of 2 Needed
 Included in Metric Kits
 ONLY (Not Glued)



986-ST:
 Tri-Sensor Simulator
 (Simulates APA0003)

NANO PCC SYSTEMS

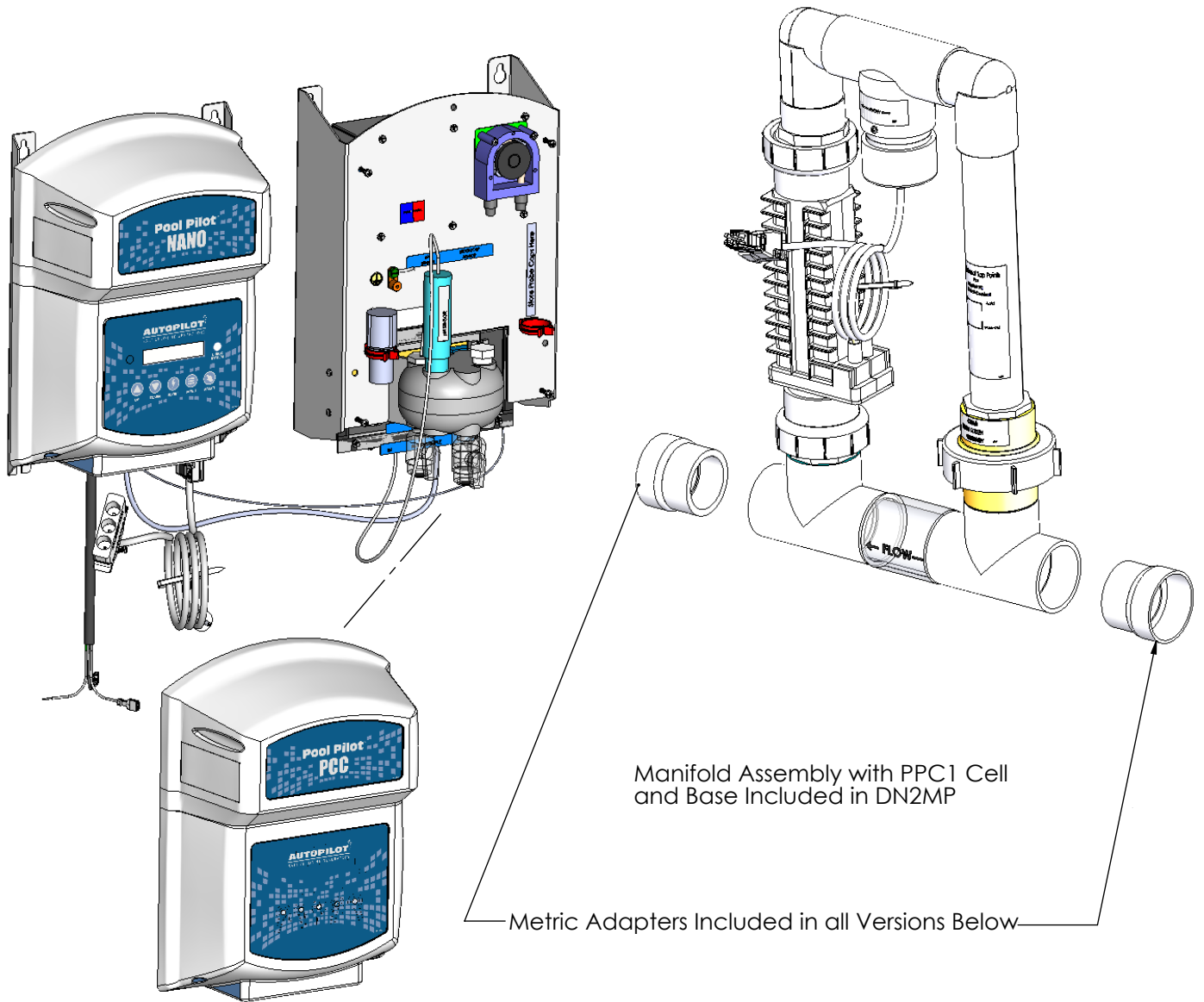
Nano PCC



PART #	DESCRIPTION
DN2MS	Nano, 220V with PPM1M Manifold, Cover Detect Switch and PCC Ready, with Metric Adapters Eng, Esp, Fra, Ger, Ita, Ces Languages

NANO PCC SYSTEMS

With Pool Chemistry Controller



PART #	DESCRIPTION
DN2MP	Nano, 220V with PPM1M Manifold, Cover Detect Switch, Peristaltic Pump, pH Probe and PCC ready, with Metric Adapters Eng, Esp, Fra, Ger, Ita, Ces Languages

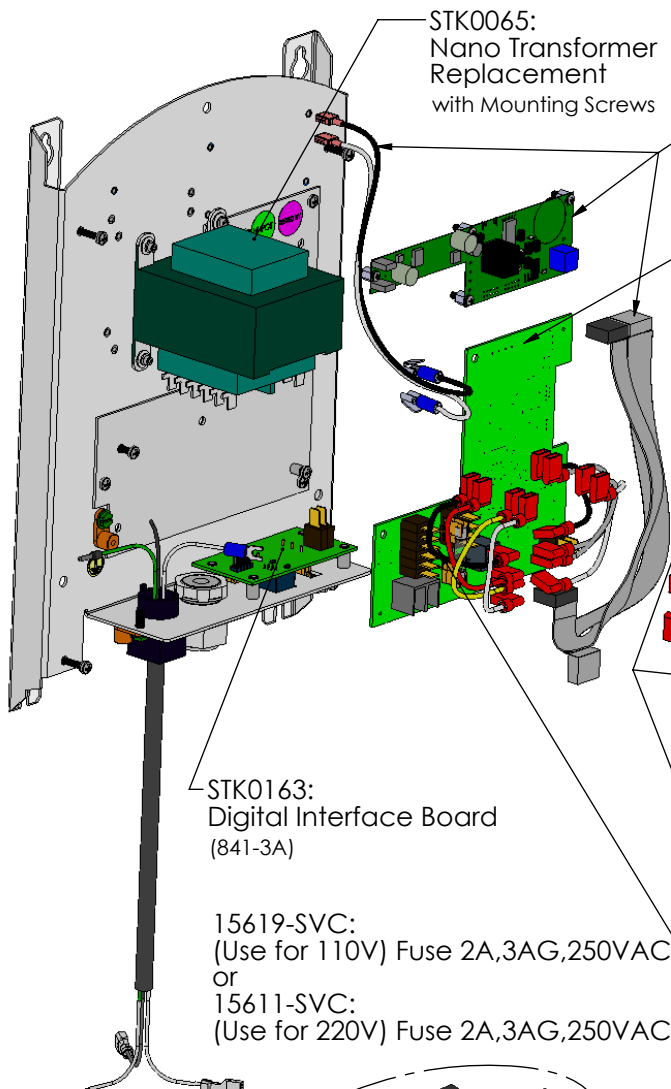


CAUTION: Sulfuric Acid is approved for dispensing by the Pool Chemistry Controller (PCC) Models 75054 and 75055. Muriatic/Hydrochloric Acid is **NOT** approved for dispensing by the PCC and will void warranty coverage if dispensed by the PCC.

NANO PCC SYSTEMS

Nano PCC

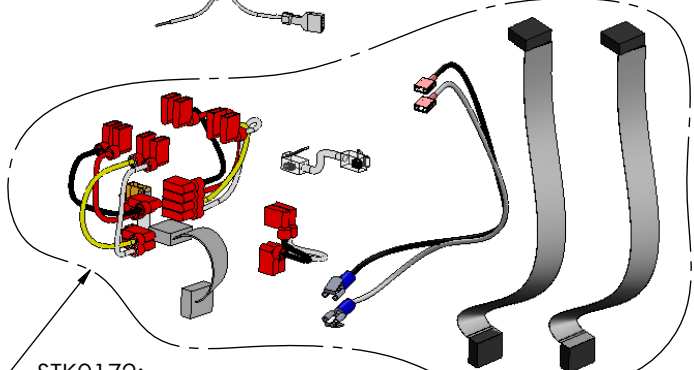
Power Supply Parts



STK0065:
Nano Transformer
Replacement
with Mounting Screws

STK0163:
Digital Interface Board
(841-3A)

15619-SVC:
(Use for 110V) Fuse 2A,3AG,250VAC
or
15611-SVC:
(Use for 220V) Fuse 2A,3AG,250VAC



STK0172:
Nano/Nano+ PCC Wire and Cable Replacement Kit
Includes:
*04AK1800404 Wire Assy 18 AWG, UL1007 Black (2)
*04AW1800404 Wire Assy 18 AWG, UL1007 White (2)
*04AR1800404 Wire Assy 18 AWG, UL1007 Red (2)
*04AY1800404 Wire Assy 18 AWG, UL1007 Yellow (2)
*20007 Ribbon Cable 10 CCT (1)
ECP0063 Modular Cable 12" (1)
*ECA0352 Ribbon Cable (2)
*ECA0348 24V Power Cable to 863A

STK0156:
Kit for Nano Expansion Board
Includes:
*863A Expansion Board
*ECA0348 24V Power Cable to 863A
*FAP0217 Standoffs 4-40x1/4" (5)
*FAP0056 Nut #4-40 Kept SS (1)
*FAP0219 Screw #4-40x1/8" (5)
*ECA0352 Ribbon Cable (2)
*PCP0326 1/2" NPT Split Gland

STK0158:
Nano Power Supply
Board Replacement
Includes:
*CBP0001G Nano Power Supply PCC Ready
ECP0063 Modular Cable 12"
15619-SVC Fuse 2A, 3AG, 250VAC (Spare-use for 110V)
15611-SVC Fuse 1A, 3AG, 250VAC (Installed-use for 220V)
*15486 HDW Screw #6-32 x 5/16 (4)
STK0172 Nano/Nano+ PCC Wire and Cable Repl. Kit

STK0159:
Nano/Nano+ Display PC Board
Replacement Kit
Includes:
*841-2C Nano Display Board PCC Ready
ECP0063 Modular Cable 12"

STK0165:
Nano Cover Replacement Kit
Includes:
*PCP0150 Molded Cover for Nano
*LBP0267 Label, Nano Cover Control Panel
*LBP0266 Label, Nano Cover Top
*GKP0013 O-Ring Cord 3.5mm
*15403 HDW Screw #6-32 x 3/4 (4)
*GKP0111 O-Ring B1000-006



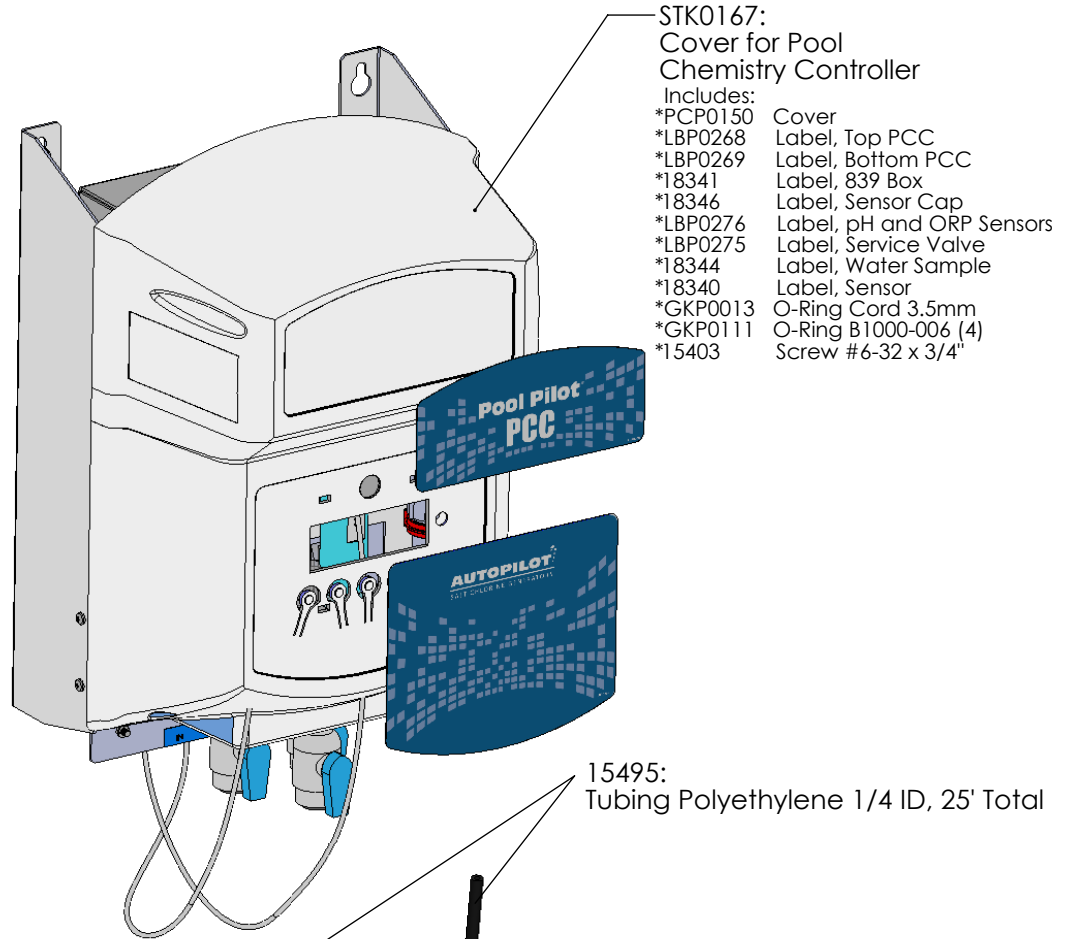
952-SVC:
Cell Cord 12 ft with 3 Pin
MATE-N-LOK Connector
Included with DN2MS and DN2MP
or
952-24:
Cell Cord 24 ft

19050:
Red Protective Cap

*Cannot be ordered separately

NANO PCC SYSTEMS

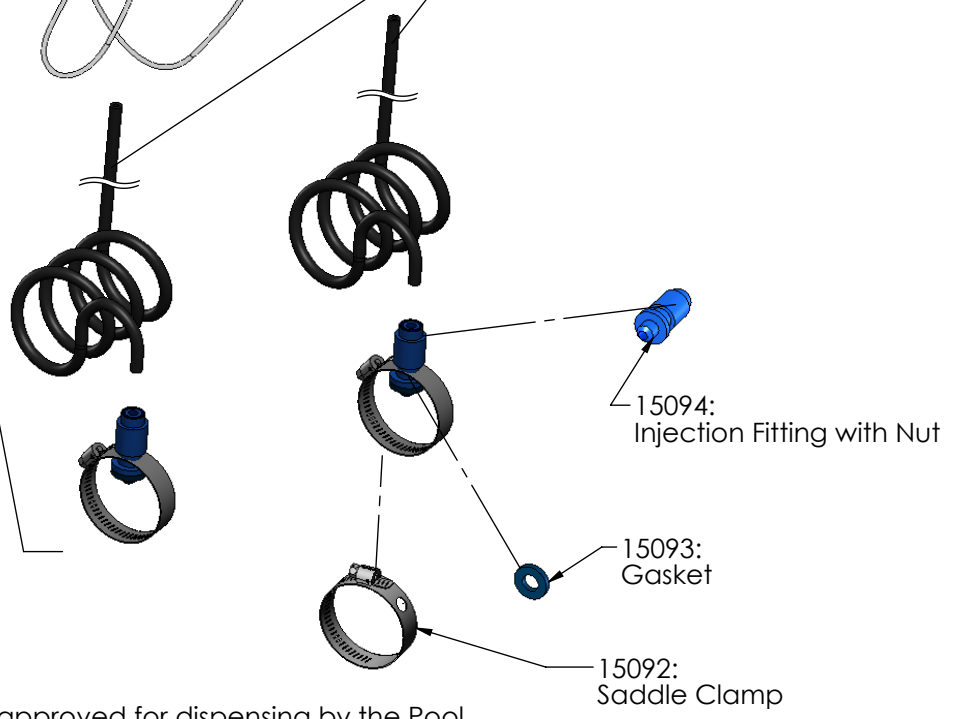
Pool Chemistry Controller Parts



- STK0167:
Cover for Pool Chemistry Controller
- Includes:
- *PCP0150 Cover
 - *LBP0268 Label, Top PCC
 - *LBP0269 Label, Bottom PCC
 - *18341 Label, 839 Box
 - *18346 Label, Sensor Cap
 - *LBP0276 Label, pH and ORP Sensors
 - *LBP0275 Label, Service Valve
 - *18344 Label, Water Sample
 - *18340 Label, Sensor
 - *GKP0013 O-Ring Cord 3.5mm
 - *GKP0111 O-Ring B1000-006 (4)
 - *15403 Screw #6-32 x 3/4"

15495:
Tubing Polyethylene 1/4 ID, 25' Total

- 17013:
Accessory Kit For 75054/75055
- Includes:
- *331 Anchors (4)
 - *330-HEX HDW Screw #10 x 1 (4)
 - 15092 Saddle Clamp (2)
 - 15093 Gasket (2)
 - 15094 Injection Fitting (2)
 - 15495 Polyethylene Tubing, 1/4" ID x 3/8" OD x 25'



15094:
Injection Fitting with Nut

15093:
Gasket

15092:
Saddle Clamp

CAUTION: Sulfuric Acid is approved for dispensing by the Pool Chemistry Controller (PCC) Models 75054 and 75055. Muriatic/Hydrochloric Acid is **NOT** approved for dispensing by the PCC and will void warranty coverage if dispensed by the PCC.

*Cannot be ordered separately

NANO PCC SYSTEMS

Pool Chemistry Controller Parts

Nano PCC

STK0173:
Top Box

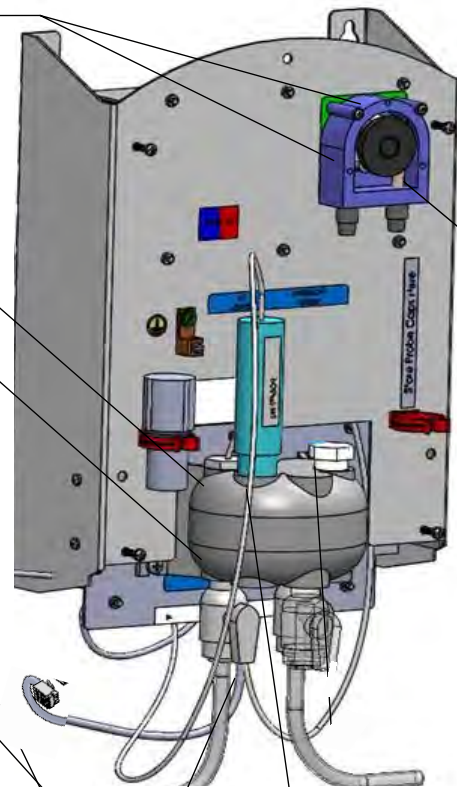
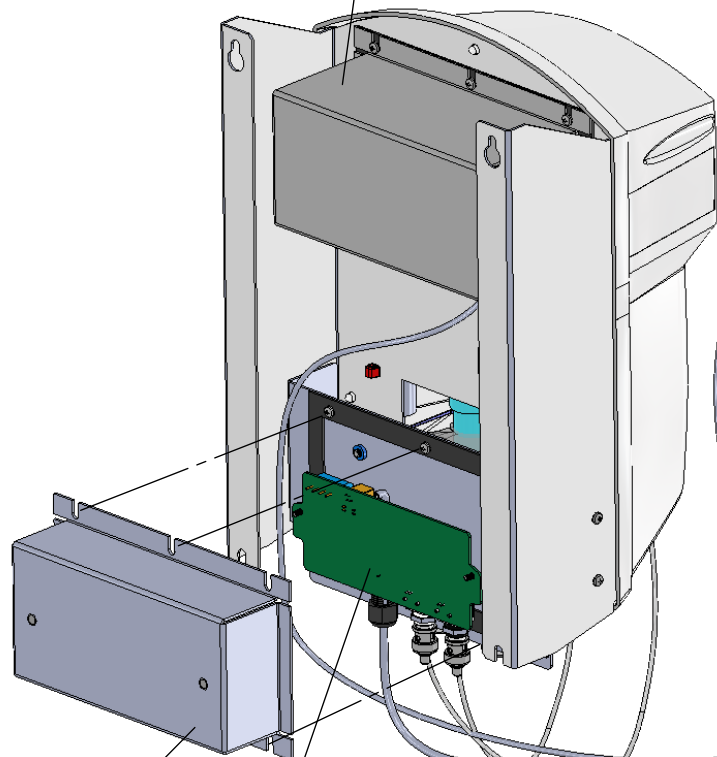
- Includes:
*MTA0141 Box Assy
*9040 Screw, 6-32 x 3/8" (6)
*INP0018 Gasket for Metal Box

STK0168:
Pump Kit

- Includes:
*ECP0272 Peristaltic Pump
*GKP0017 Pump Gasket
*ECA0349 12V Pump Cable

ECS19150:
Flow Switch

19153:
Injection Flow Cell



- ECS19151:**
pH Sensor
- 17555-SVC:**
Ball Valve, 1/4" Male NPT to QC (3)
- ECA0349:**
12V Cable to Pump

17212-1:
Modular Cable

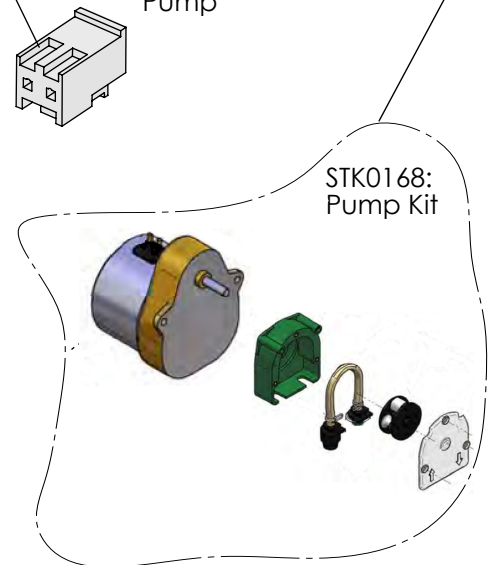
- 839N:** New
839R: Remanufactured
ORP/pH Board

STK0164: Service Kit for PCC

- Includes:
839N PCB Assy ORP/pH Board
*15496 Nut for BNC Connector (2)
*15497 Lockwasher for BNC Connector (2)
17212-1 Modular Cable with Gland
*MTA0138 Metal Box for 839 Board
*INP0018 Gasket for Metal Box
*9040 Screw, #6-32 x 3/8" (6)
*15402-1 Screw, #6-32 x 1/4" (2)
*18341 Label, 839 Box

STK0031:
Flow Cell Kit
for Service Use

- Includes:
19153 Flow Cell Injection
ECS19150 Flow Switch Total Control
17555-SVC Ball Valve 1/4 Male NPT to QC (3)
*15657 HDW Screw #10-32 x 3/8 PPMS (4)
*15432 HDW #10 Lock Washer (4)



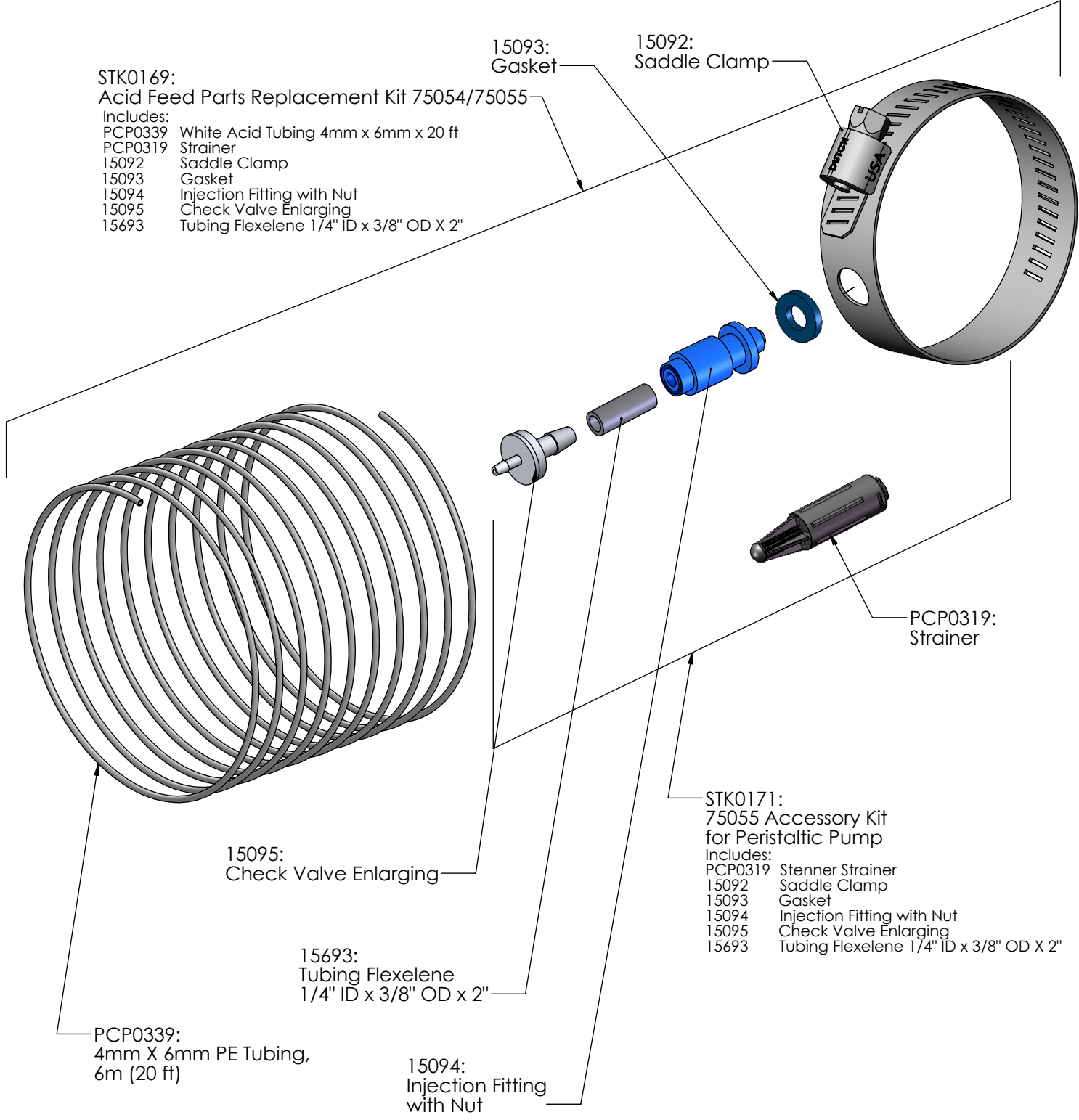
STK0168:
Pump Kit

*Cannot be ordered separately

Nano PCC

NANO PCC SYSTEMS

Pool Chemistry Controller Parts



STK0169:
Acid Feed Parts Replacement Kit 75054/75055

- Includes:
PCP0339 White Acid Tubing 4mm x 6mm x 20 ft
PCP0319 Strainer
15092 Saddle Clamp
15093 Gasket
15094 Injection Fitting with Nut
15095 Check Valve Enlarging
15693 Tubing Flexelene 1/4" ID x 3/8" OD X 2"

15093:
Gasket

15092:
Saddle Clamp

15095:
Check Valve Enlarging

15693:
Tubing Flexelene
1/4" ID x 3/8" OD x 2"

PCP0339:
4mm X 6mm PE Tubing,
6m (20 ft)

15094:
Injection Fitting
with Nut

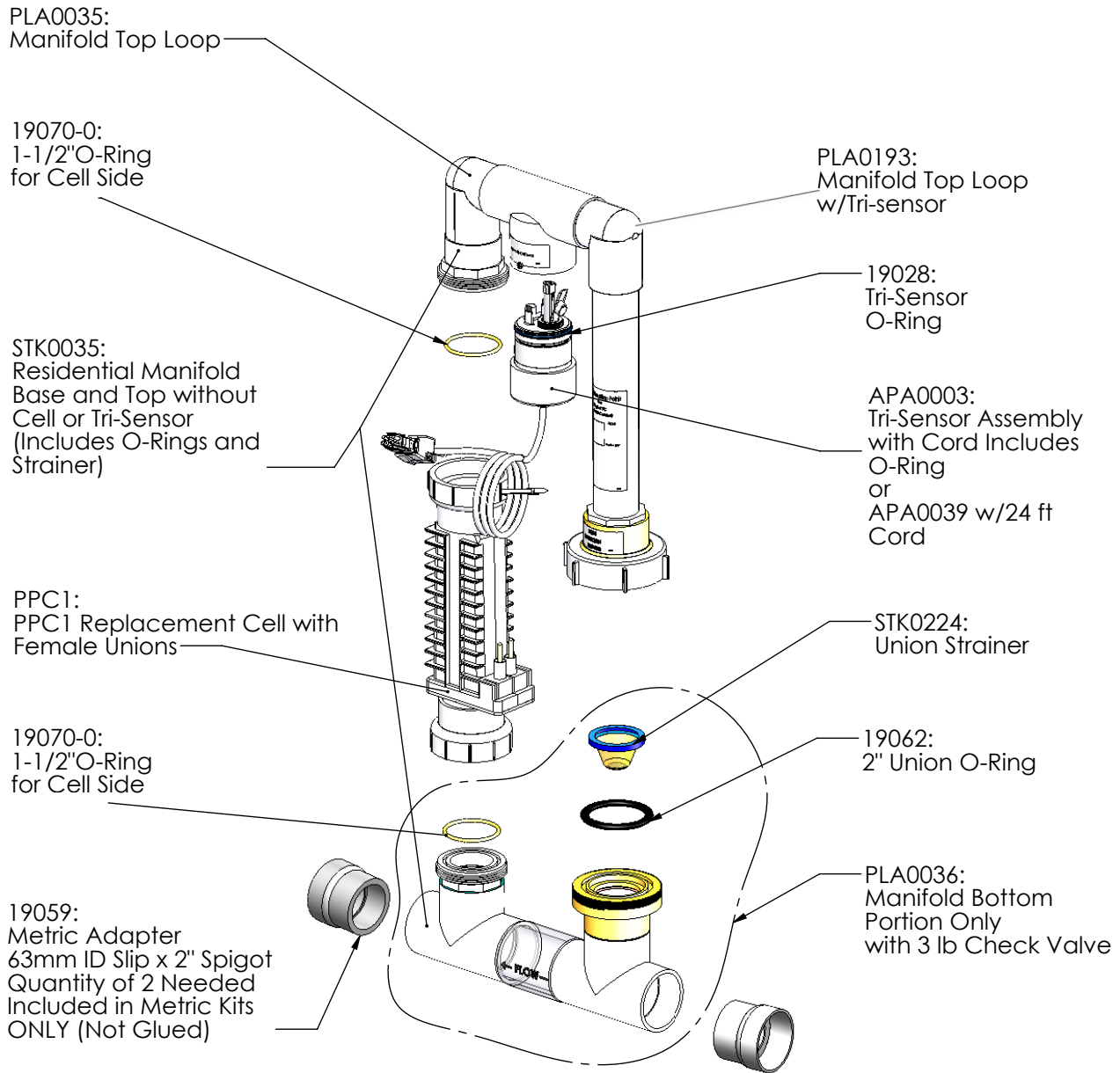
PCP0319:
Strainer

STK0171:
75055 Accessory Kit
for Peristaltic Pump

- Includes:
PCP0319 Stenner Strainer
15092 Saddle Clamp
15093 Gasket
15094 Injection Fitting with Nut
15095 Check Valve Enlarging
15693 Tubing Flexelene 1/4" ID x 3/8" OD X 2"

SINGLE SYSTEM MANIFOLDS

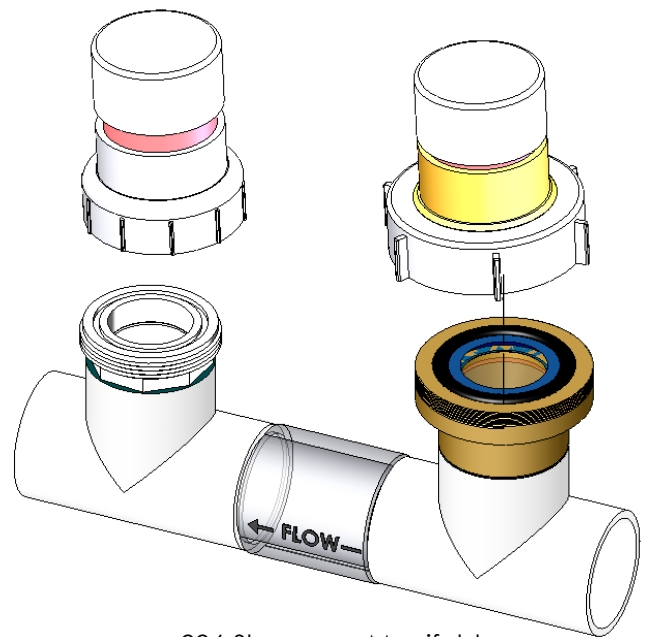
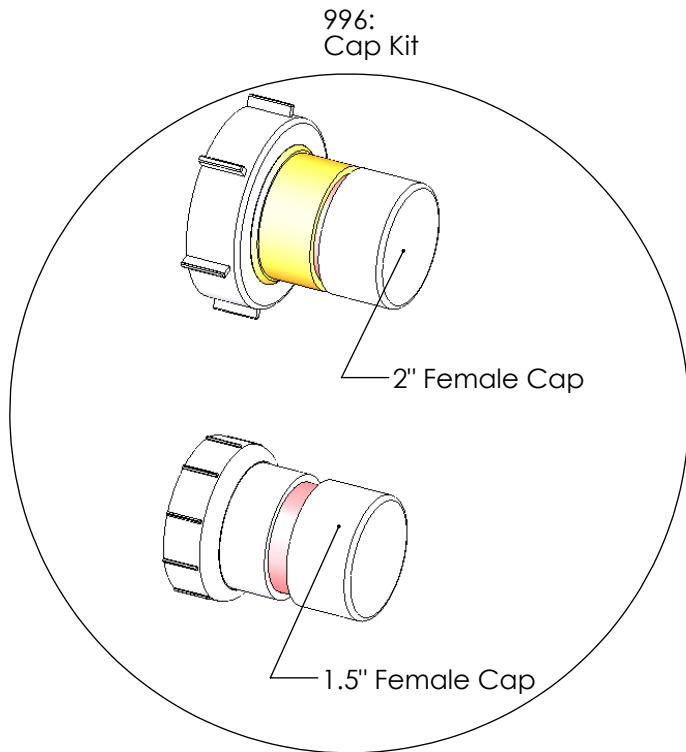
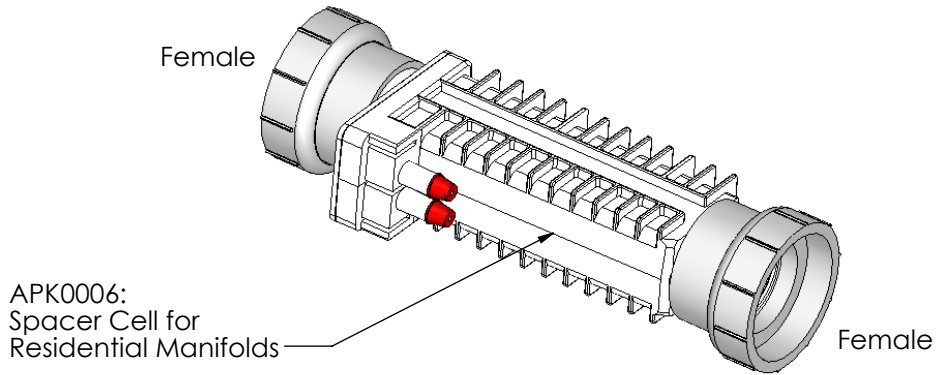
Nano PCC



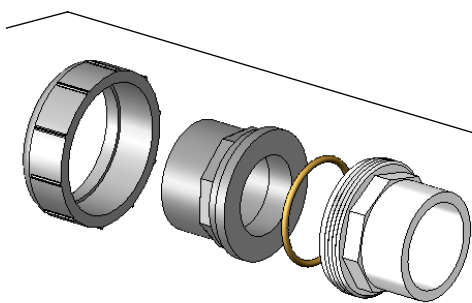
Single System Manifolds/Cells

PART #	DESCRIPTION
PPM1M	Manifold Assy with PPC1 Cell and Metric Adapters

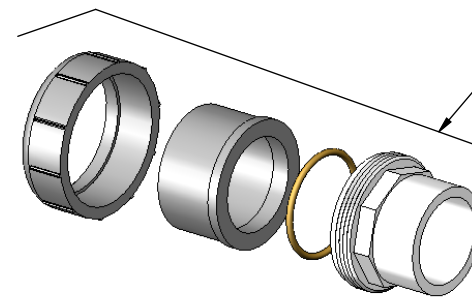
Nano PCC MANIFOLD ACCESSORIES/TOOLS



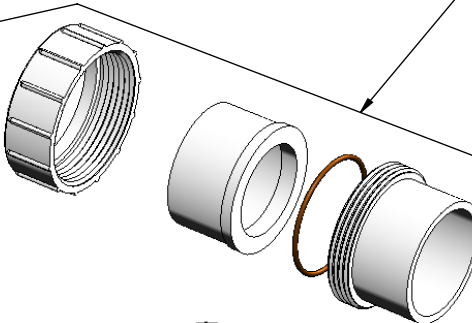
MANIFOLD ACCESSORIES/TOOLS Nano PCC



19073:
 Union Kit
 Includes:
 312-A-SVC Union Nut
 312-F Union Half, 2" Spigot/1.5" Slip X Female Union
 19070-0 1-1/2" O-Ring
 312-C-SVC Union Half, 1.5" Slip/2" Spigot x Male Thread Union

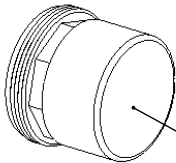


19070:
 Union Kit
 Includes:
 312-A-SVC Union Nut
 312-B-SVC Union Half, 2" Slip x Female Union
 19070-0 1-1/2" O-Ring
 312-C-SVC Union Half, 1.5" Slip/2" Spigot x Male Thread Union

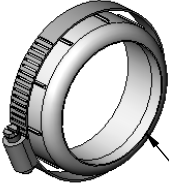


PLS2627:
 Union Kit
 Includes:
 312-A-SVC Union Nut
 312-B-SVC Union Half, 2" Slip x Female Union
 312-D Union Half, 2" Slip x Male Thread Union (with O-Ring 19069-0)

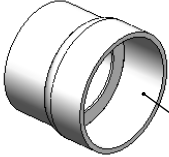
or
 PLS0001:
 Union Kit-Pack of 10 PLS2627



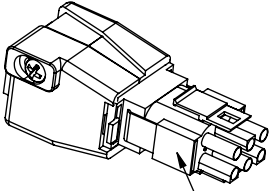
PLA0113:
 Cell Cleaning
 Kit (Male)



STK0048:
 Cracked Union Nut
 Service Kit



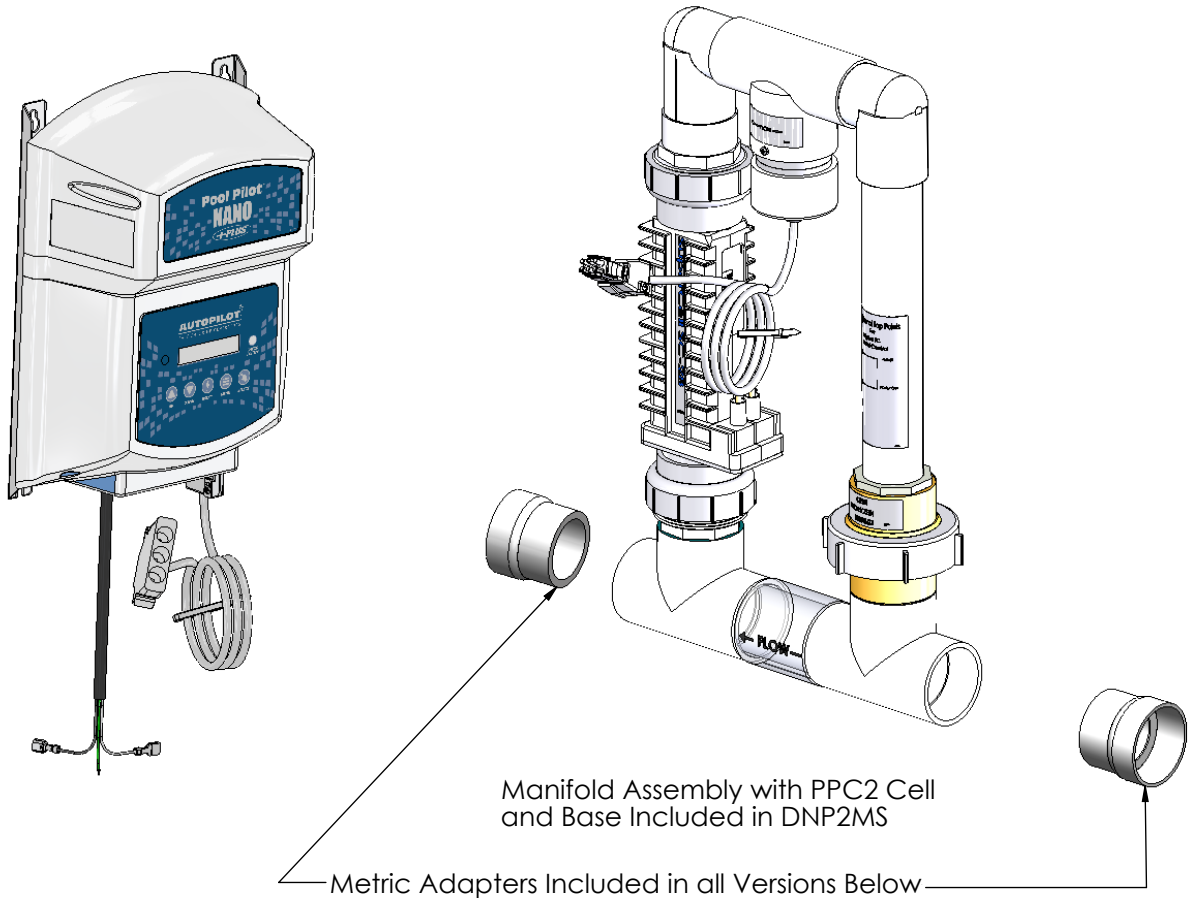
19059:
 Metric Adapter
 63mm ID Slip x 2" Spigot
 Quantity of 2 Needed
 Included in Metric Kits
 ONLY (Not Glued)



986-ST:
 Tri-Sensor Simulator
 (Simulates APA0003)

NANO⁺ PCC SYSTEMS

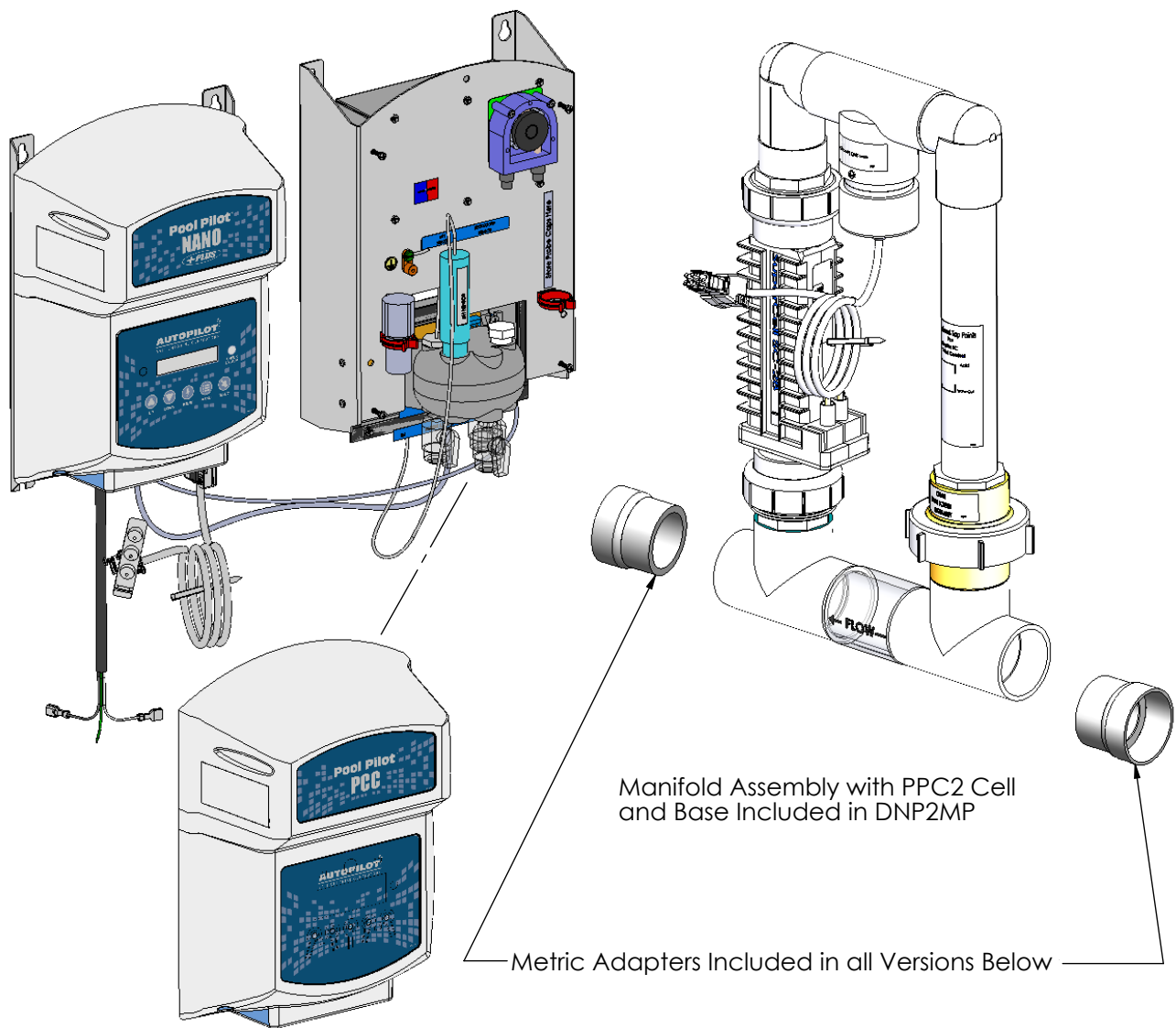
Nano⁺ PCC



PART #	DESCRIPTION
DNP2MS	Nano+, 220V with PPM2M Manifold, Cover Detect Switch and PCC Ready, with Metric Adapters Eng, Exp, Fra, Ger, Ita, Ces Languages

Nano⁺ PCC NANO⁺ PCC SYSTEMS

With Pool Chemistry Controller



PART #	DESCRIPTION
DNP2MP	Nano ⁺ , 220V with PPM2M Manifold, Cover Detect Switch, Peristaltic Pump, pH Probe and PCC ready, with Metric Adapters Eng, Esp, Fra, Ger, Ita, Ces Languages

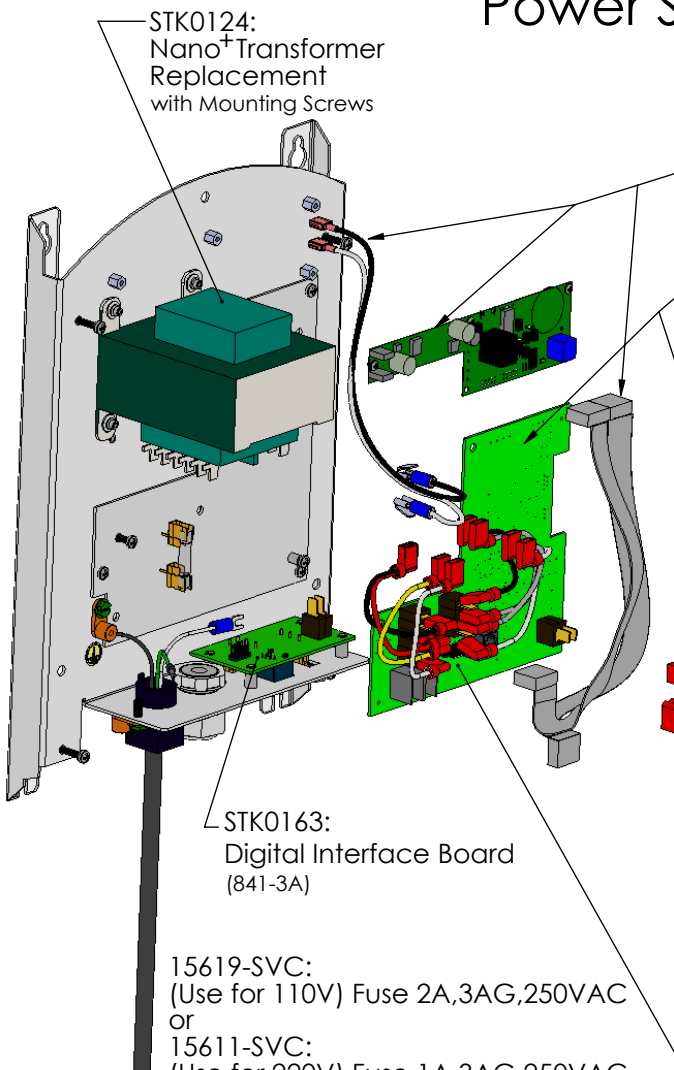


CAUTION: Sulfuric Acid is approved for dispensing by the Pool Chemistry Controller (PCC) Models 75054 and 75055. Muriatic/Hydrochloric Acid is **NOT** approved for dispensing by the PCC and will void warranty coverage if dispensed by the PCC.

NANO⁺ PCC SYSTEMS

Power Supply Parts

Nano⁺ PCC



STK0124:
Nano⁺ Transformer
Replacement
with Mounting Screws

STK0163:
Digital Interface Board
(841-3A)

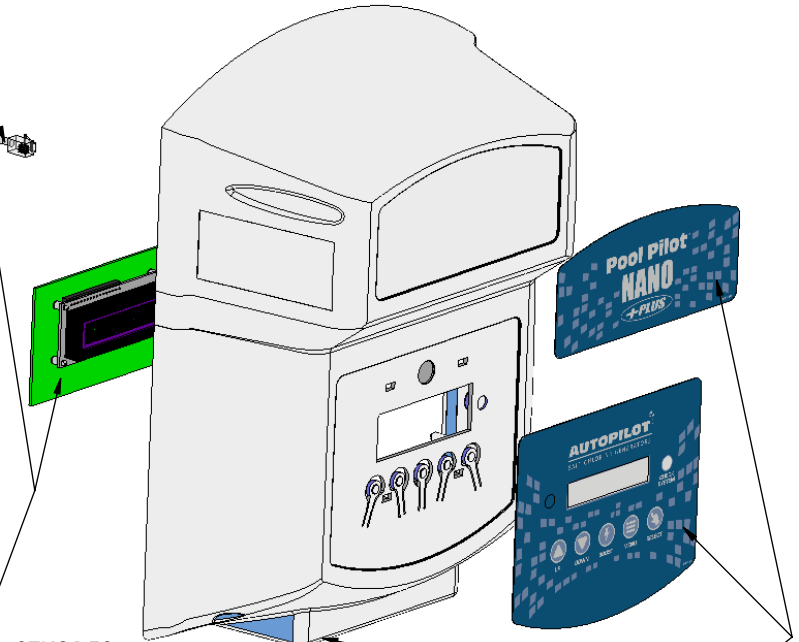
15619-SVC:
(Use for 110V) Fuse 2A, 3AG, 250VAC
or
15611-SVC:
(Use for 220V) Fuse 1A, 3AG, 250VAC

STK0157:
Nano⁺ Power Supply
Board Replacement

- Includes:
- *CBA0001H Nano⁺ Power Supply PCC Ready
 - ECP0063 Modular Cable 12"
 - 15619-SVC Fuse 2A, 3AG, 250VAC (Spare-use for 110V)
 - 15611-SVC Fuse 1A, 3AG, 250VAC (Installed-use for 220V)
 - *15486 HDW Screw #6-32 x 5/16 (4)
 - STK0172 Nano/Nano⁺PCC Wire and Cable Repl. Kit

STK0156:
Kit for Nano Expansion Board

- Includes:
- *863A Expansion Board
 - *ECA0348 24V Power Cable to 863A
 - *FAP0217 Standoffs 4-40x1/4" (5)
 - *FAP0219 Screw #4-40x1/8" (5)
 - *FAP0056 Nut #4-40 Kept SS (5)
 - *ECA0352 Ribbon Cable (2)
 - *PCP0326 1/2" NPT Split Gland



STK0159:
Nano/Nano⁺ Display PC Board
Replacement Kit

- Includes:
- *841-2C Nano Display Board PCC Ready
 - ECP0063 Modular Cable 12"

STK0166:
Nano⁺ Cover Replacement Kit

- Includes:
- *PCP0150 Molded Cover for Nano
 - *LBP0267 Label, Nano Cover Control Panel
 - *LBP0270 Label, Nano⁺ Top Cover
 - *GKP0013 O-Ring Cord 3.5mm
 - *15403 HDW Screw #6-32 x 3/4 (4)
 - *GKP0111 O-Ring B1000-006

STK0172:
Nano/Nano⁺ PCC Wire and Cable Replacement Kit

- Includes:
- *04AK1800404 Wire Assy 18 AWG, UL1007 Black (2)
 - *04AW1800404 Wire Assy 18 AWG, UL1007 White (2)
 - *04AR1800404 Wire Assy 18 AWG, UL1007 Red (2)
 - *04AY1800404 Wire Assy 18 AWG, UL1007 Yellow (2)
 - *20007 Ribbon Cable 10 CCT (1)
 - ECP0063 Modular Cable 12" (1)
 - *ECA0352 Ribbon Cable (2)
 - *ECA0348 24V Power Cable to 863A

952-SVC:
Cell Cord 12 ft with 3 Pin
MATE-N-LOK Connector
Included with DNP2MS and DNP2MP
or
952-24:
Cell Cord 24 ft

19050:
Red Protective Cap

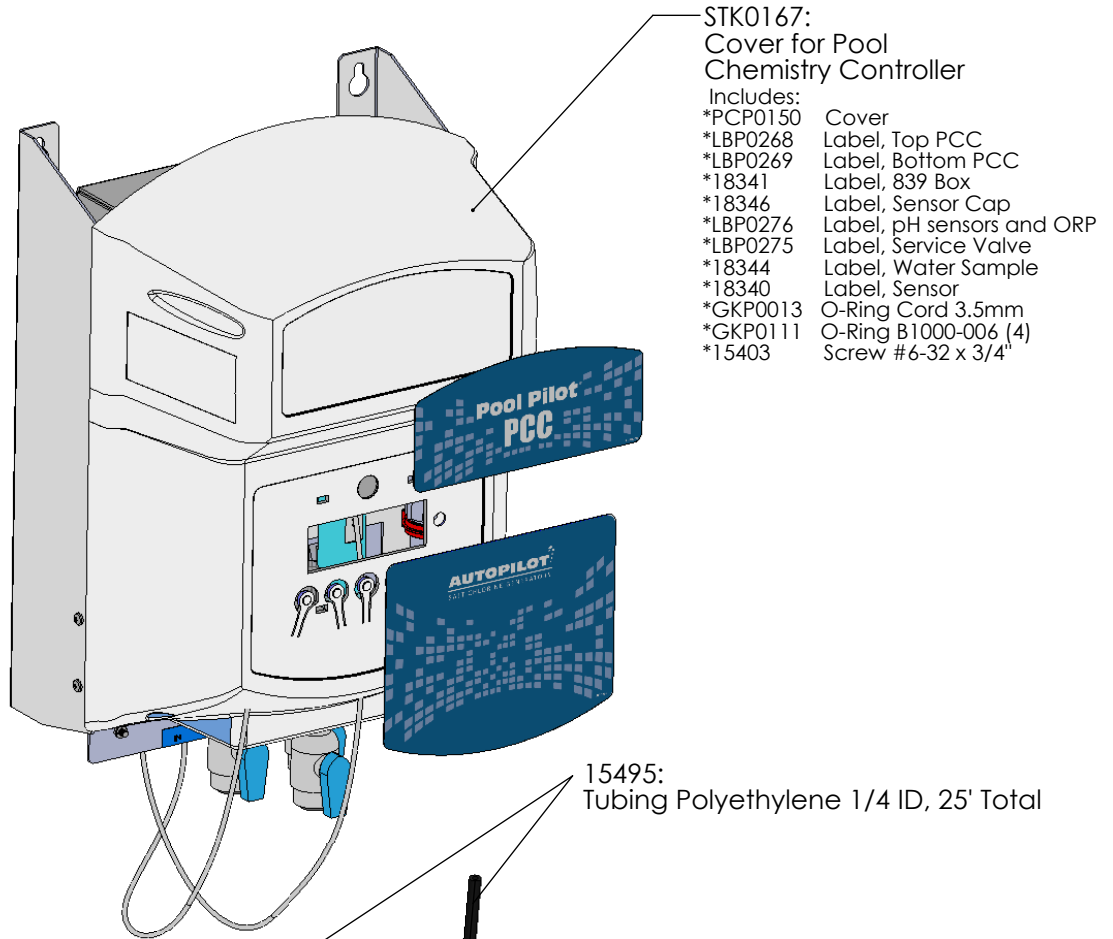


*Cannot be ordered separately

Nano⁺ PCC

NANO⁺ PCC SYSTEMS

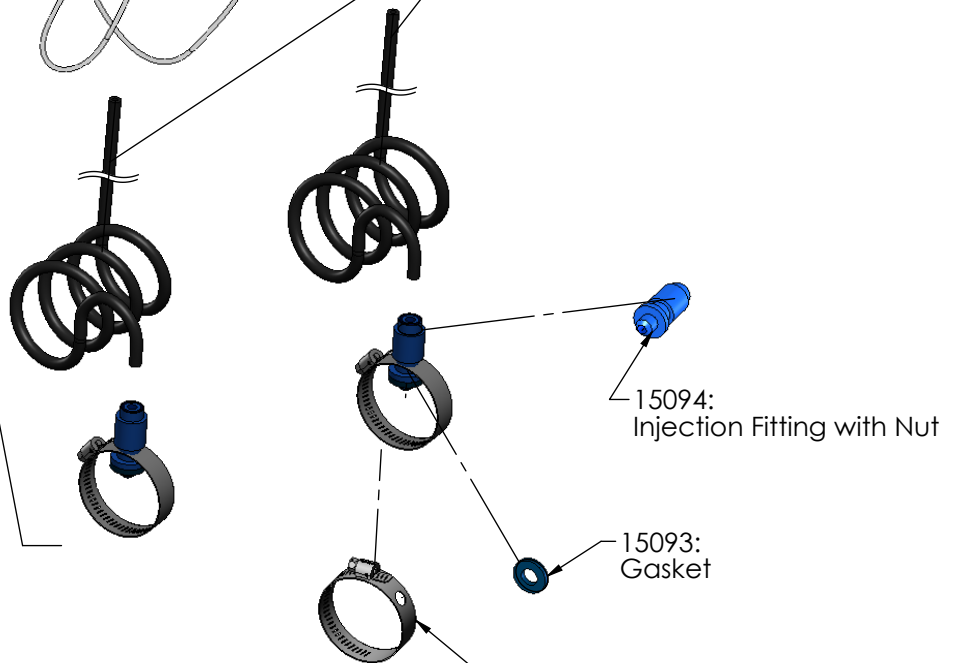
Pool Chemistry Controller Parts



15495:
Tubing Polyethylene 1/4 ID, 25' Total

17013:
Accessory Kit For 75054/75055

- Includes:
- *331 Anchors (4)
 - *330-HEX HDW Screw #10 x 1 (4)
 - 15092 Saddle Clamp (2)
 - 15093 Gasket (2)
 - 15094 Injection Fitting (2)
 - 15495 Polyethylene Tubing
1/4" ID x 3/8" OD x 25'



CAUTION: Sulfuric Acid is approved for dispensing by the Pool Chemistry Controller (PCC) Models 75054 and 75055. Muriatic/Hydrochloric Acid is **NOT** approved for dispensing by the PCC and will void warranty coverage if dispensed by the PCC.

* Cannot be ordered separately

NANO⁺ PCC SYSTEMS

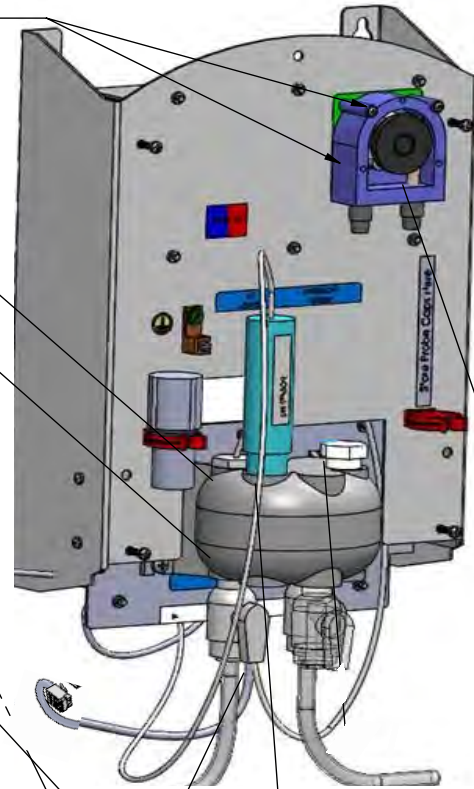
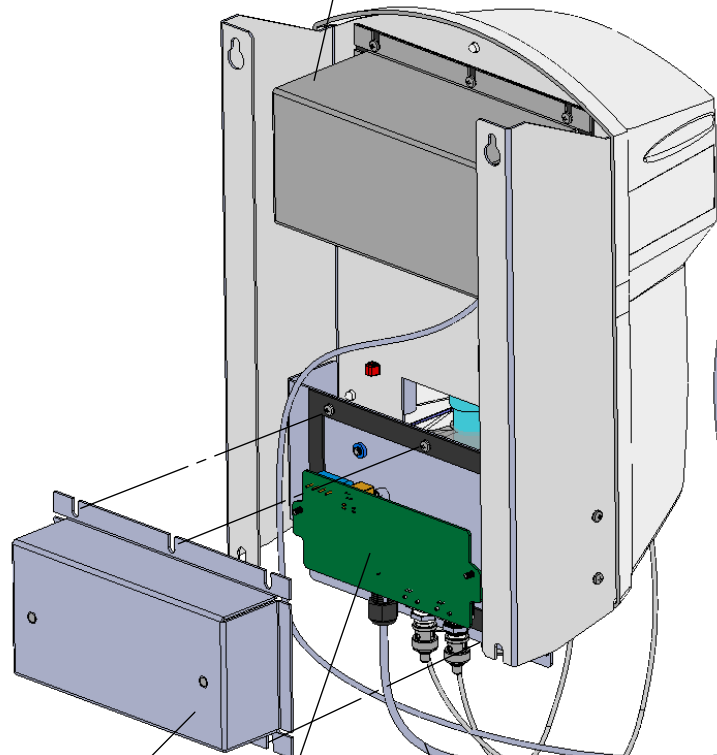
Pool Chemistry Controller Parts

Nano⁺ PCC

STK0173:
Top Box
Includes:
*MTA0141 Box Assy
*9040 Screw, 6-32 x 3/8" (6)
*INP0018 Gasket for Metal Box

STK0168:
Pump Kit
Includes:
*ECP0272 Peristaltic Pump
*GKP0017 Pump Gasket
*ECA0349 12V Pump Cable

ECS19150:
Flow Switch
19153:
Injection Flow Cell



ECS19151: pH Sensor

17555-SVC:
Ball Valve, 1/4" Male NPT to QC (3)

ECA0349:
12V Cable to Pump

17212-1:
Modular Cable

839N: New
839R: Remanufactured
ORP/pH Board

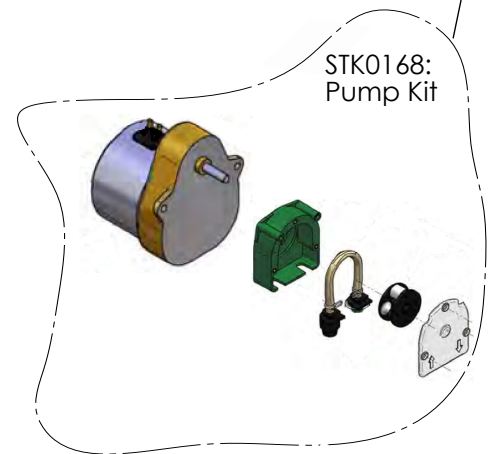
STK0164: Service Kit for PCC

Includes:
839N PCB Assy ORP/pH Board
*15496 Nut for BNC Connector (2)
*15497 Lockwasher for BNC Connector (2)
17212-1 Modular Cable with Gland
*MTA0138 Metal Box for 839 Board
*INP0018 Gasket for Metal Box
*9040 Screw, #6-32 x 3/8" (6)
*15402-1 Screw, #6-32 x 1/4" (2)
*18341 Label, 839 Box

STK0031:
Flow Cell Kit
for Service Use

Includes:
19153 Flow Cell Injection
ECS19150 Flow Switch Total Control
17555-SVC Ball Valve 1/4 Male NPT to QC (3)
*15657 HDW Screw #10-32 x 3/8 PPMS (4)
*15432 HDW #10 Lock Washer (4)

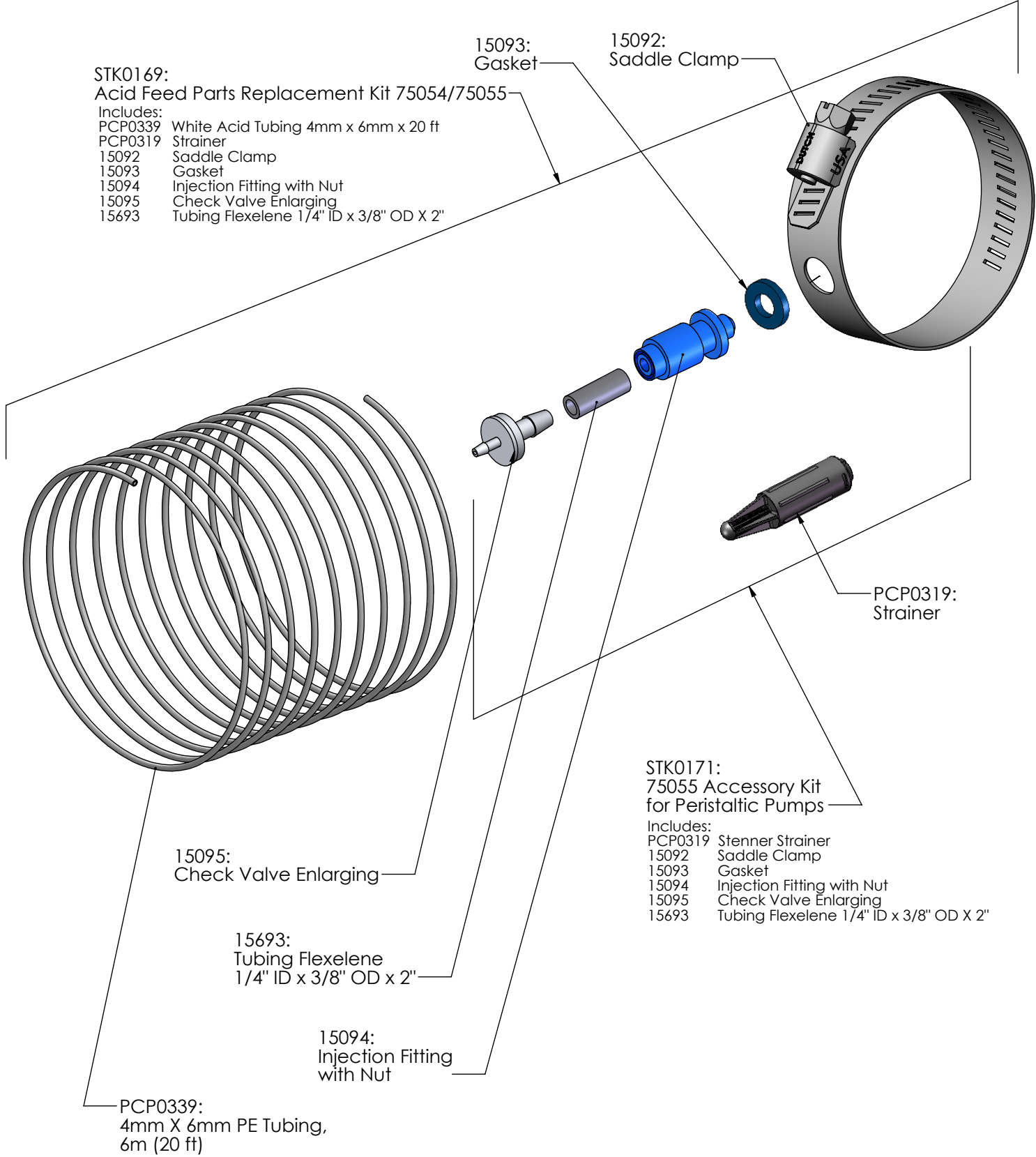
STK0168:
Pump Kit



*Cannot be ordered separately

Nano⁺ PCC NANO⁺ PCC SYSTEMS

Pool Chemistry Controller Parts



STK0169:
Acid Feed Parts Replacement Kit 75054/75055
 Includes:
 PCP0339 White Acid Tubing 4mm x 6mm x 20 ft
 PCP0319 Strainer
 15092 Saddle Clamp
 15093 Gasket
 15094 Injection Fitting with Nut
 15095 Check Valve Enlarging
 15693 Tubing Flexelene 1/4" ID x 3/8" OD x 2"

15093:
 Gasket

15092:
 Saddle Clamp

PCP0319:
 Strainer

STK0171:
75055 Accessory Kit for Peristaltic Pumps
 Includes:
 PCP0319 Stenner Strainer
 15092 Saddle Clamp
 15093 Gasket
 15094 Injection Fitting with Nut
 15095 Check Valve Enlarging
 15693 Tubing Flexelene 1/4" ID x 3/8" OD x 2"

15095:
 Check Valve Enlarging

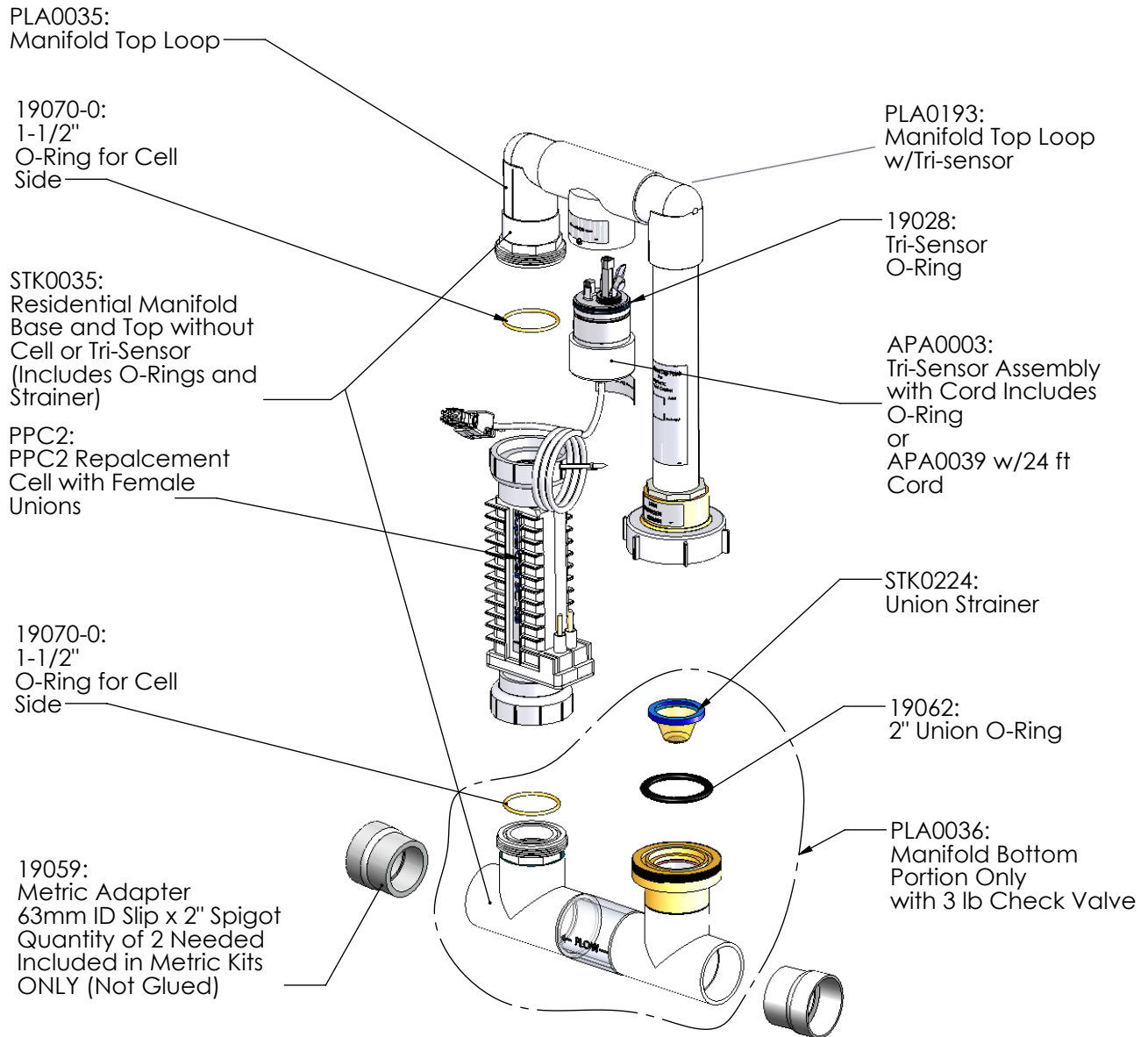
15693:
 Tubing Flexelene
 1/4" ID x 3/8" OD x 2"

15094:
 Injection Fitting
 with Nut

PCP0339:
 4mm X 6mm PE Tubing,
 6m (20 ft)

SINGLE SYSTEM MANIFOLDS

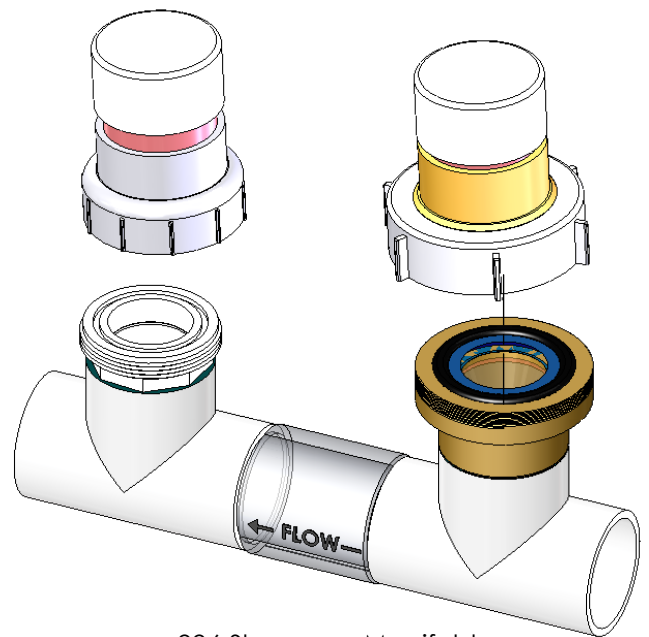
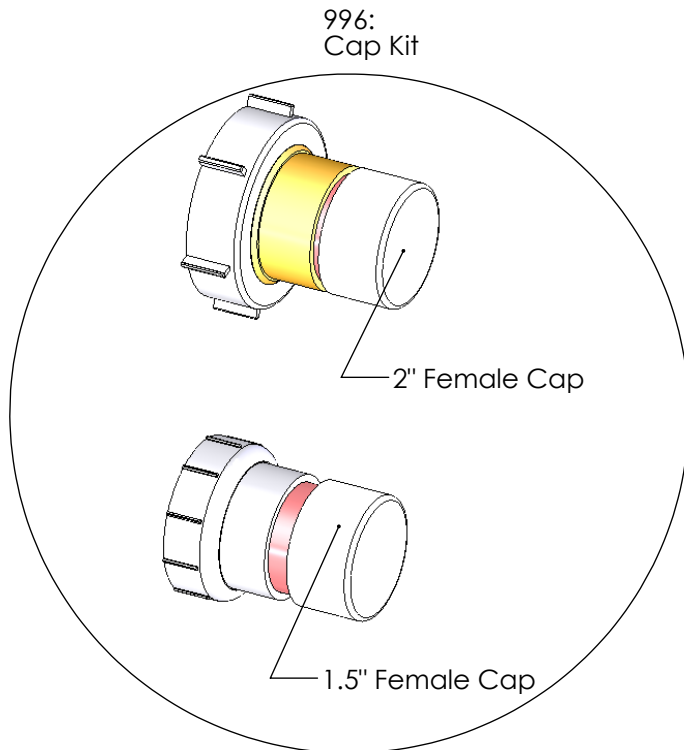
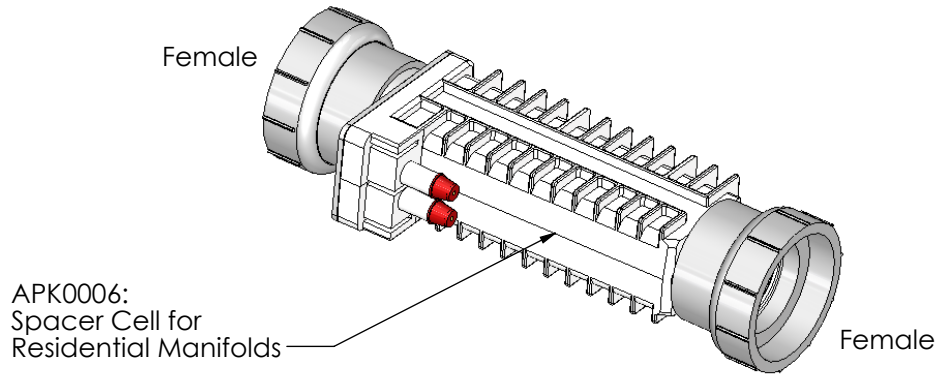
Nano⁺ PCC



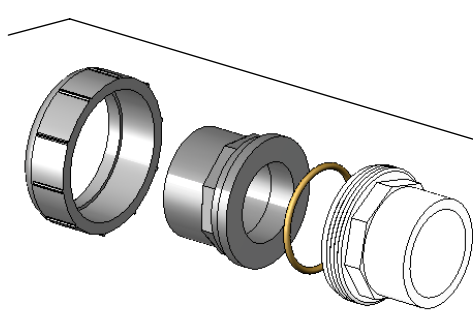
Single System Manifolds/Cells

PART #	DESCRIPTION
PPM2M	Manifold Assy with PPC2 Cell and Metric Adapters

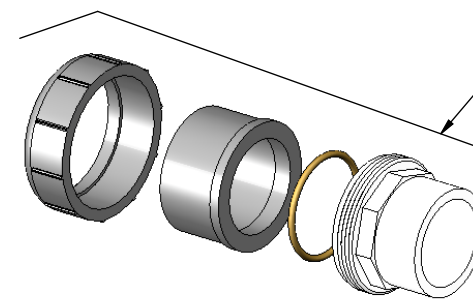
Nano+ PCC MANIFOLD ACCESSORIES/TOOLS



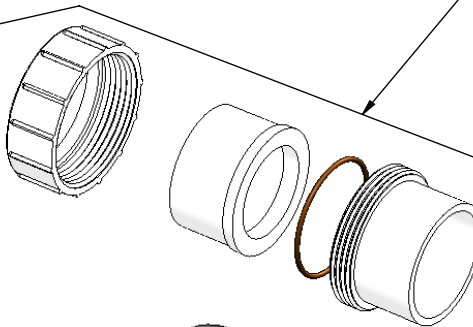
MANIFOLD ACCESSORIES/TOOLS Nano⁺ PCC



19073:
 Union Kit
 Includes:
 312-A-SVC Union Nut
 312-F Union Half, 2" Spigot/1.5" Slip X Female Union
 19070-0 1-1/2" O-Ring
 312-C-SVC Union Half, 1.5" Slip/2" Spigot x Male Thread Union

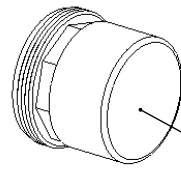


19070:
 Union Kit
 Includes:
 312-A-SVC Union Nut
 312-B-SVC Union Half, 2" Slip x Female Union
 19070-0 1-1/2" O-Ring
 312-C-SVC Union Half, 1.5" Slip/2" Spigot x Male Thread Union

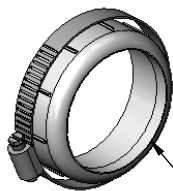


PLS2627:
 Union Kit
 Includes:
 312-A-SVC Union Nut
 312-B-SVC Union Half, 2" Slip x Female Union
 312-D Union Half, 2" Slip x Male Thread Union (with O-Ring 19069-0)

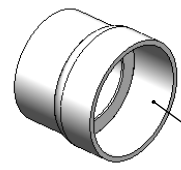
or
 PLS0001:
 Union Kit-Pack of 10 PLS2627



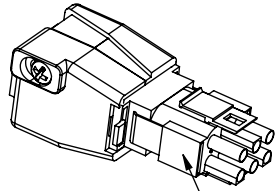
PLA0113:
 Cell Cleaning Kit (Male)



STK0048:
 Cracked Union Nut Service Kit



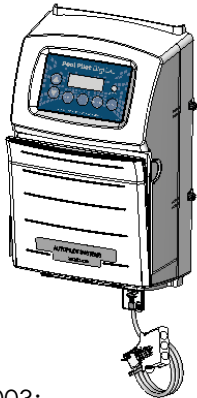
19059:
 Metric Adapter
 63mm ID Slip x 2" Spigot
 Quantity of 2 Needed
 Included in Metric Kits
 ONLY (Not Glued)



986-ST:
 Tri-Sensor Simulator
 (Simulates APA0003)

TOTAL CONTROL

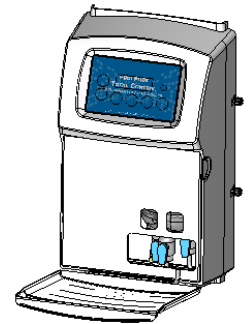
Total Control



75003:
Salt Chlorine Generator

Total Control Components

PART #	DESCRIPTION
75001	Pool Chemistry Controller
75003	Salt Chlorine Generator with Eng, Esp, Fra, and Ita Languages
75008	Acid Feeder Relay Box (optional)



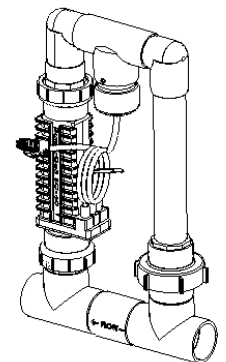
75001:
Pool Chemistry Controller

Choice of Stenner Pump/Tank

PART #	DESCRIPTION
75004	Stenner Pump/Tank 120V/60Hz - 15 Gal
75005	Stenner Pump/Tank 220V/60Hz - 15 Gal
75006	Stenner Pump/Tank 230-250V/50Hz - 15 Gal
75009	Stenner Pump/Tank 230-250V/50Hz - 30 Gal
75010	Stenner Pump/Tank 220V/60Hz - 30 Gal
75012	Stenner Pump/Tank 120V/60Hz - 30 Gal



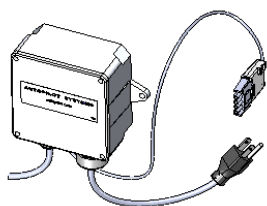
Stenner Pump/Tank



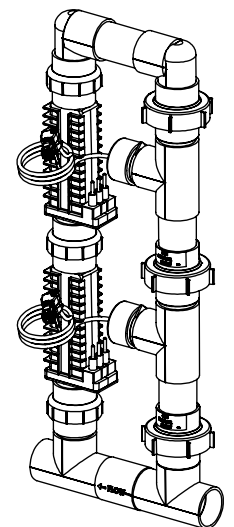
Single System Manifold

Single System Manifold Types

PART #	DESCRIPTION	PAGE #
PPM1	Manifold Assy with PPC1 Cell	66
PPM3	Manifold Assy with PPC3 Cell	66
PPM4	Manifold Assy with PPC4 Cell	66
PPM5	Manifold Assy with PPC5 Cell	66
PPM1M	Manifold Assy with PPC1 Cell and Metric Adapters	66
PPM3M	Manifold Assy with PPC3 Cell and Metric Adapters	66
PPM4M	Manifold Assy with PPC4 Cell and Metric Adapters	66
PPM5M	Manifold Assy with PPC5 Cell and Metric Adapters	66
APK0006	Spacer Cell for Maintenance	69



75008:
Acid Feeder Relay Box
(Note: Required if 75003
internal relay is used for
another function, such
as pump control)



Dual System Manifold

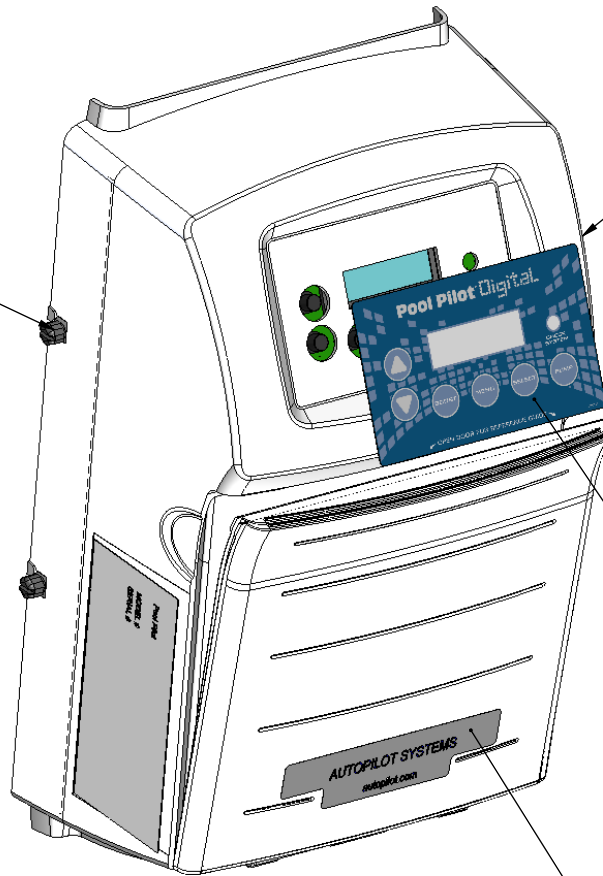
Dual System Manifold Types

PART #	DESCRIPTION	PAGE #
941-215C-A	Manifold Commercial	67
938-SC	Spacer Cell	69

**Total Control
75003**

75003 Power Supply Parts

15660-1:
Thumbscrews
(4)



16243:
Cover Assy 75003

Includes:

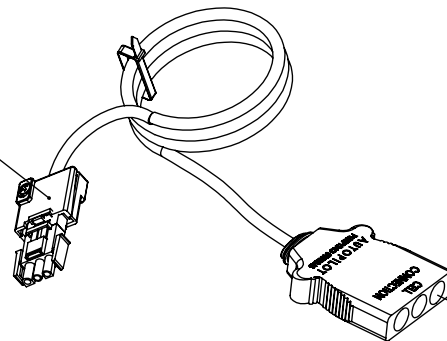
- *16265 Cover for 75003
- *16266 Door for 75003
- 15660-1 Black Hybrid Fasteners
- LBP0116 Label, 75003 Control Panel
- LBP0135 Label, Front Panel for 75003
- *18251/DIG-L1 Label, 75003 Bullets
- *18251/DIG-R3 Label, 75003 Bullets
- *FAP0094 Screw, 4 X 1/2 Pan Phillips
- *18330 Label, Data Plate
- *18329 Label, Wiring Diagram

LBP0116:
Label, 75003
Control Panel

LBP0135:
Label, Front Panel
for 75003

952-SVC:
Cell Cord 12 ft with 3 Pin MATE-N-LOK Connector
Included with 75003

or
952-24:
Cell Cord 24 ft

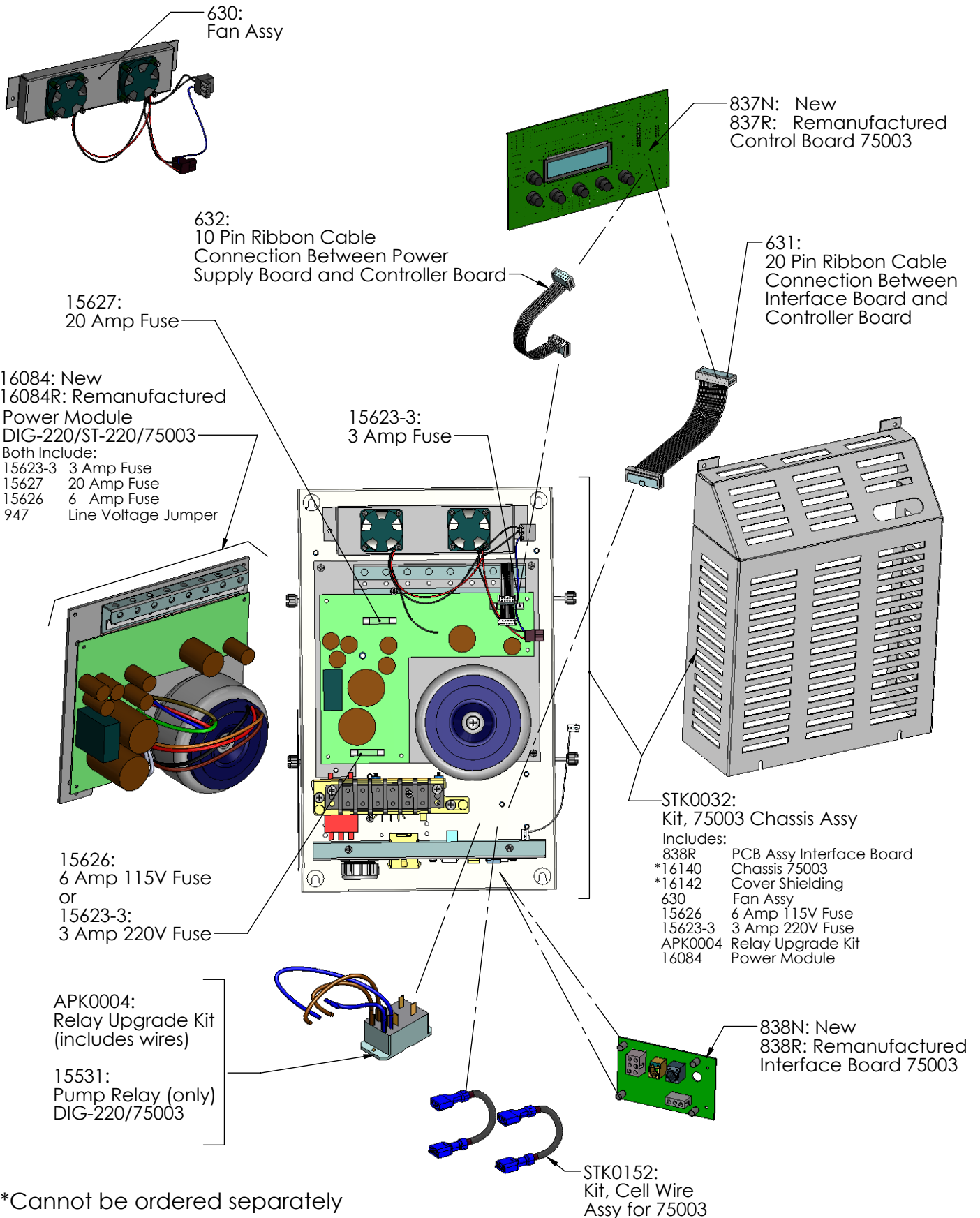


19050:
Red Protective Cap

*Cannot be ordered separately

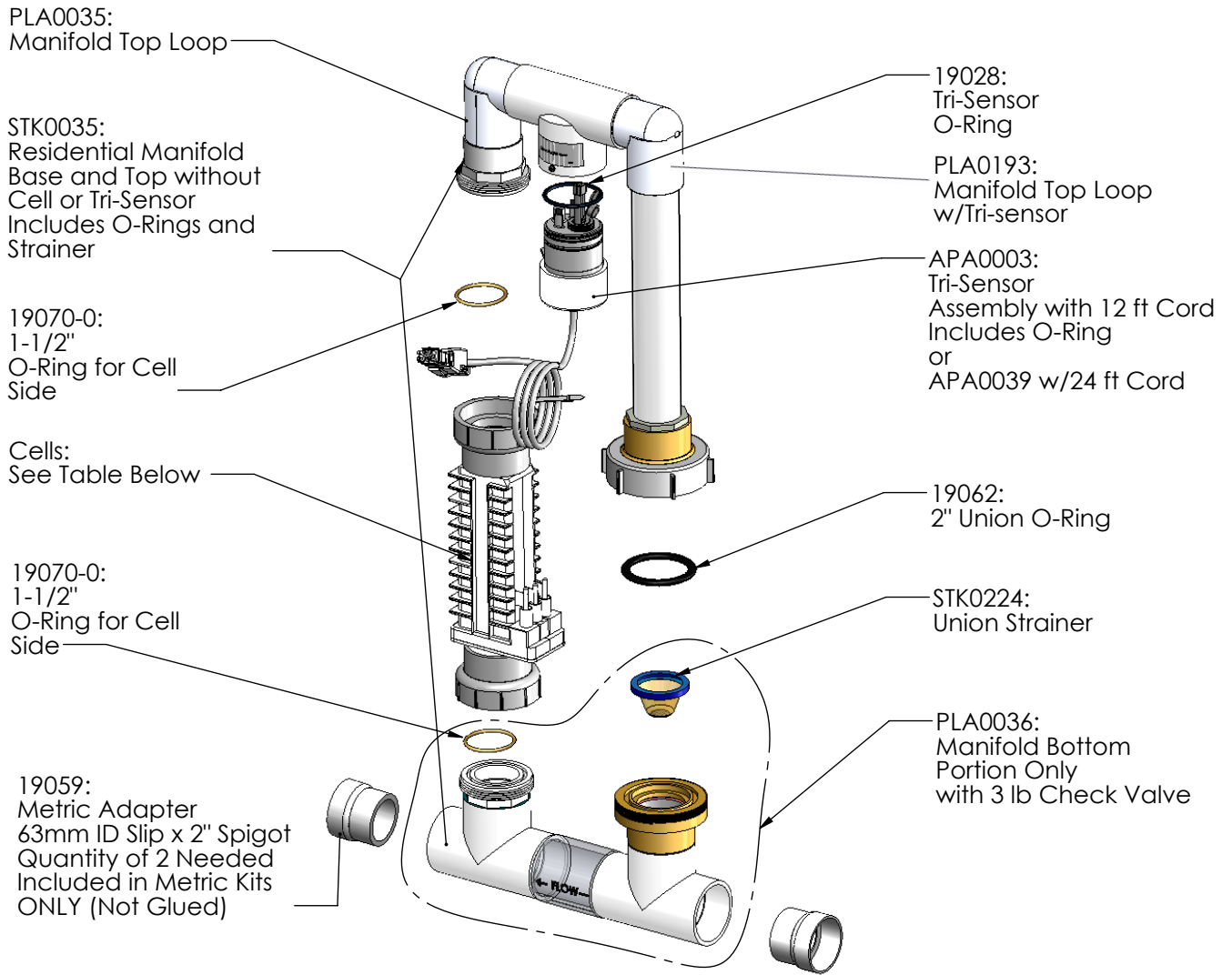
75003 Power Supply Parts

**Total Control
75003**



*Cannot be ordered separately

SINGLE SYSTEM MANIFOLDS

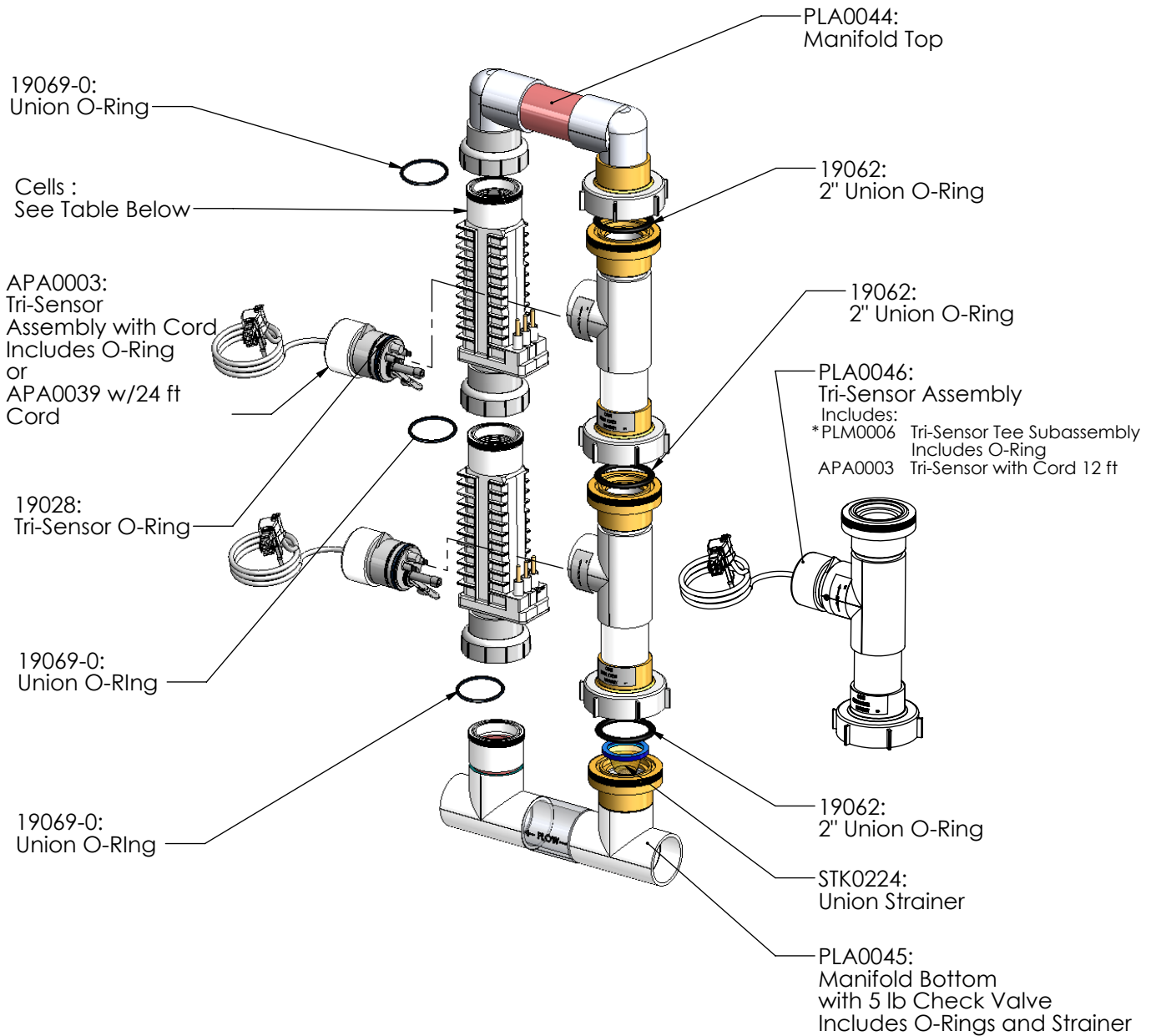


PART #	DESCRIPTION	PAGE
PPM1	Manifold Assy with PPC1 Cell	68
PPM3	Manifold Assy with PPC3 Cell	68
PPM4	Manifold Assy with PPC4 Cell	68
PPM5	Manifold Assy with PPC5 Cell	68
PPM1M	Manifold Assy with PPC1 Cell and Metric Adapters	68
PPM3M	Manifold Assy with PPC3 Cell and Metric Adapters	68
PPM4M	Manifold Assy with PPC4 Cell and Metric Adapters	68
PPM5M	Manifold Assy with PPC5 Cell and Metric Adapters	68
APK0006	Spacer Cell for Maintenance	69

MULTIPLE SYSTEM MANIFOLD

For Use With Dual Power Supply Systems

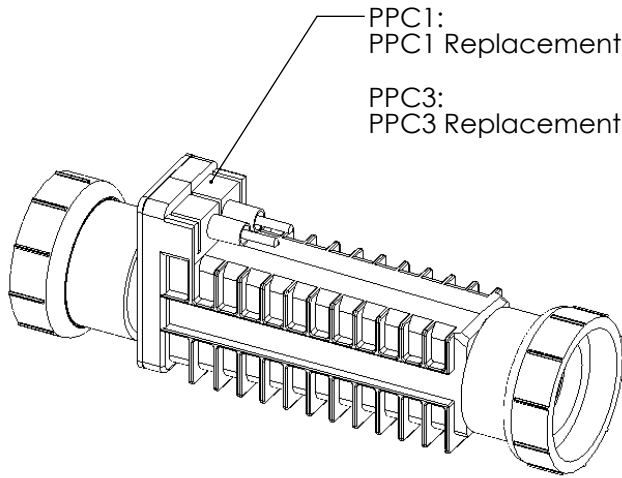
Total Control



PART #	DESCRIPTION	PAGE #
941-215C-A	Manifold Commercial with 2 PPC5MF Cells	68
938-SC	Spacer Cell for Maintenance	69
To convert from dual to triple system, add PLA0046, PPC5MF and Power Supply of choice, ST-220/DIG-220 /75003, typically ST-220 is used.		

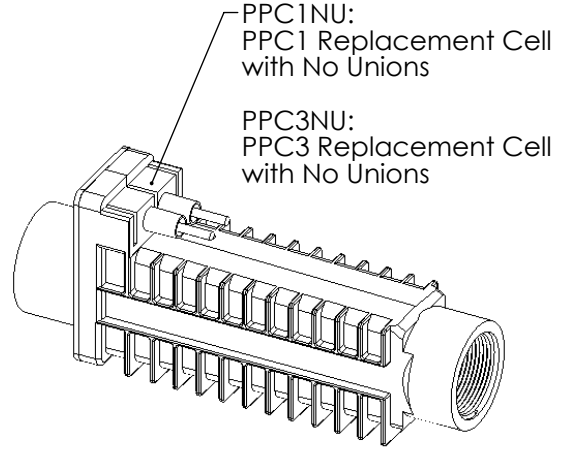
Total Control

CELL OPTIONS



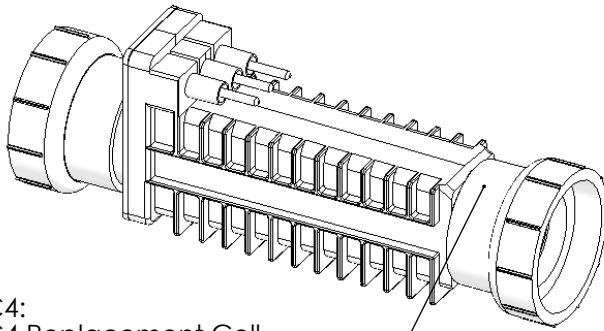
PPC1:
PPC1 Replacement Cell with Female Unions

PPC3:
PPC3 Replacement Cell with Female Unions



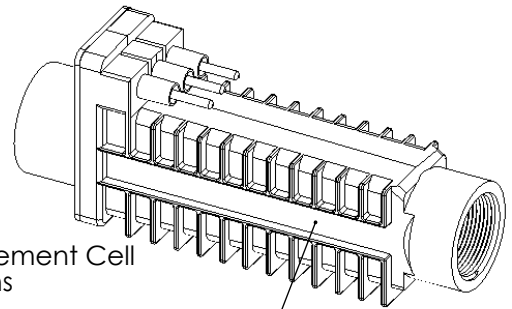
PPC1NU:
PPC1 Replacement Cell
with No Unions

PPC3NU:
PPC3 Replacement Cell
with No Unions



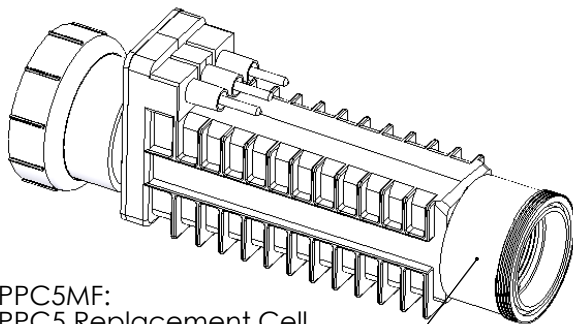
PPC4:
PPC4 Replacement Cell
with Female Unions

PPC5:
PPC5 Replacement Cell
with Female Unions
(Commercial)
for Single Cell Manifold

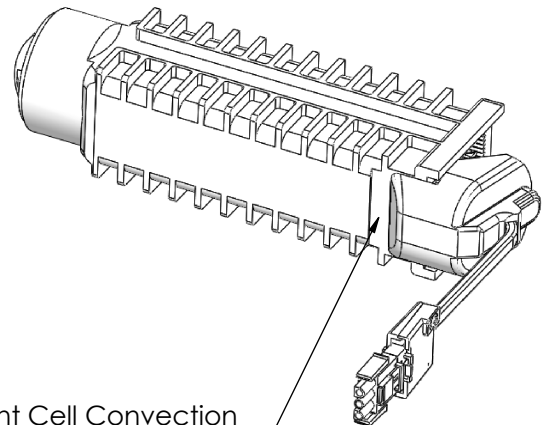


PPC4NU:
PPC4 Replacement Cell
with No Unions

PPC5NU:
PPC5 Replacement Cell with
No Unions (Commercial)



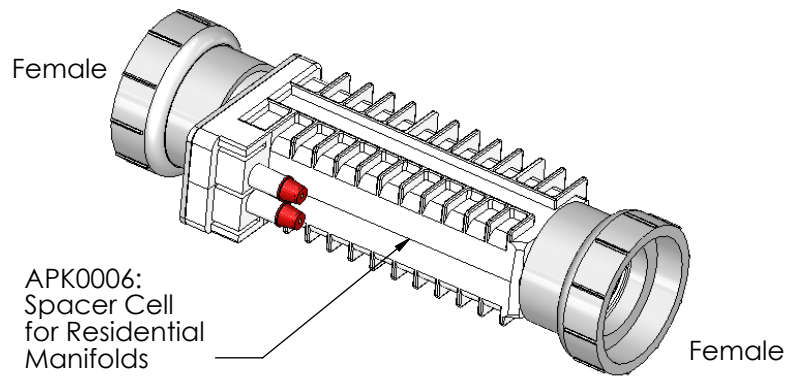
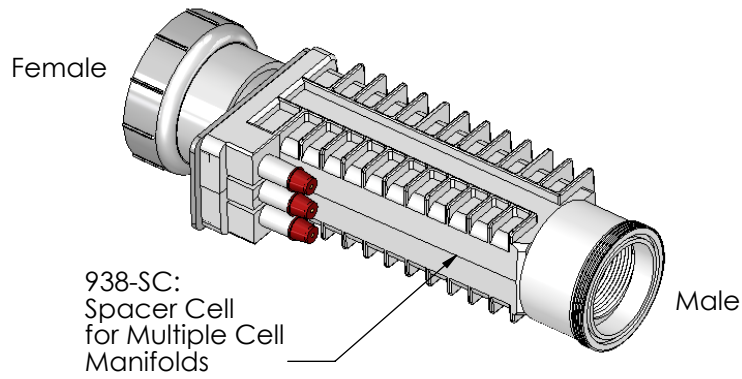
PPC5MF:
PPC5 Replacement Cell
Male/Female Unions
(Commercial)
for Multiple Cell Manifold



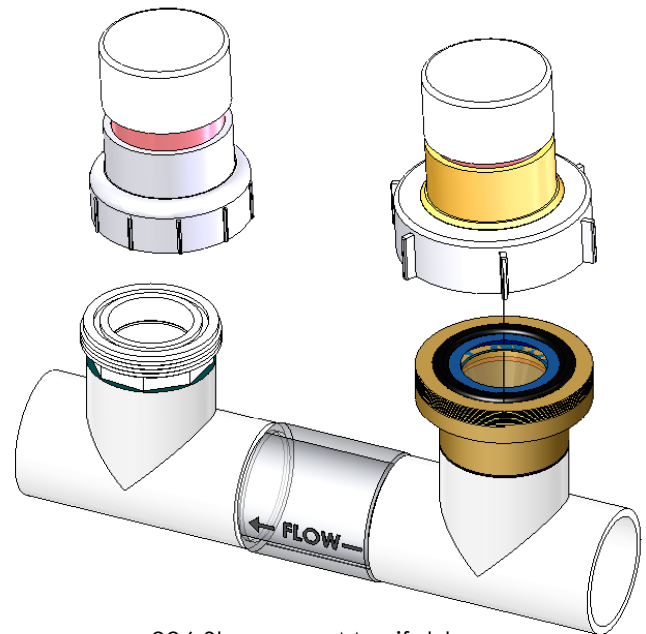
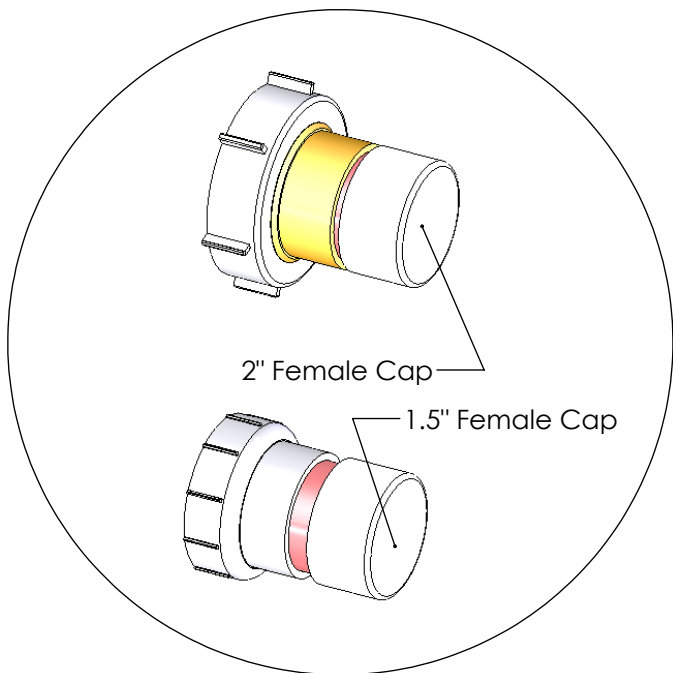
PPC5MLCC25:
PPC5 Replacement Cell Convection
(MATE-N-LOK)
25 ft Cord

MANIFOLD ACCESSORIES/TOOLS

Total Control

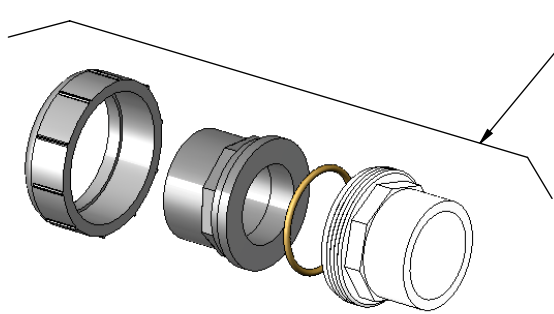


996:
Cap Kit

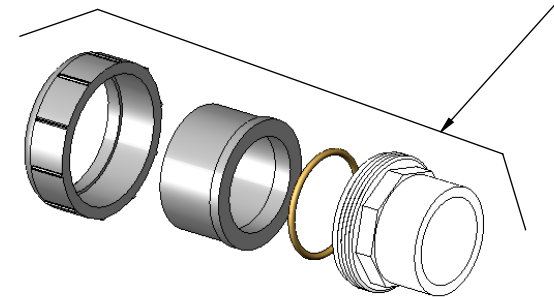


996 Shown on Manifold
Base Assembly

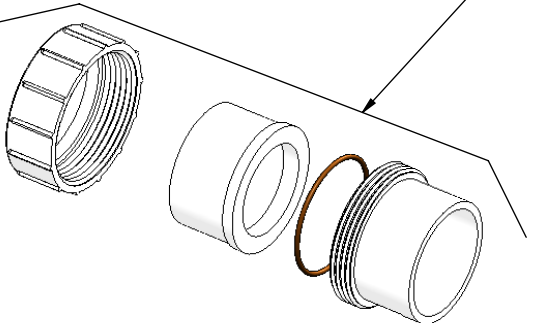
Total Control MANIFOLD ACCESSORIES/TOOLS



19073:
Union Kit
Includes:
312-A-SVC Union Nut
312-F Union Half, 2" Spigot/1.5" Slip X Female Union
19070-0 1-1/2" O-Ring
312-C-SVC Union Half, 1.5" Slip/2" Spigot x Male Thread Union

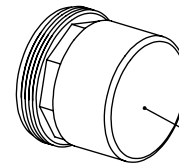


19070:
Union Kit
Includes:
312-A-SVC Union Nut
312-B-SVC Union Half, 2" Slip x Female Union
19070-0 1-1/2" O-Ring
312-C-SVC Union Half, 1.5" Slip/2" Spigot x Male Thread Union

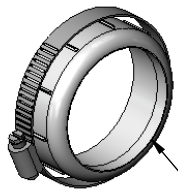


PLS2627:
Union Kit
Includes:
312-A-SVC Union Nut
312-B-SVC Union Half, 2" Slip x Female Union
312-D Union Half, 2" Slip x Male Thread Union (with O-Ring 19069-0)

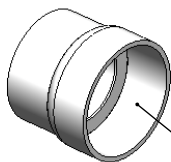
or
PLS0001:
Union Kit-Pack of 10 PLS2627



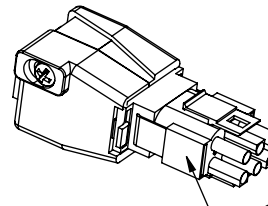
PLA0113:
Cell Cleaning Kit (Male)



STK0048:
Cracked Union Nut Service Kit



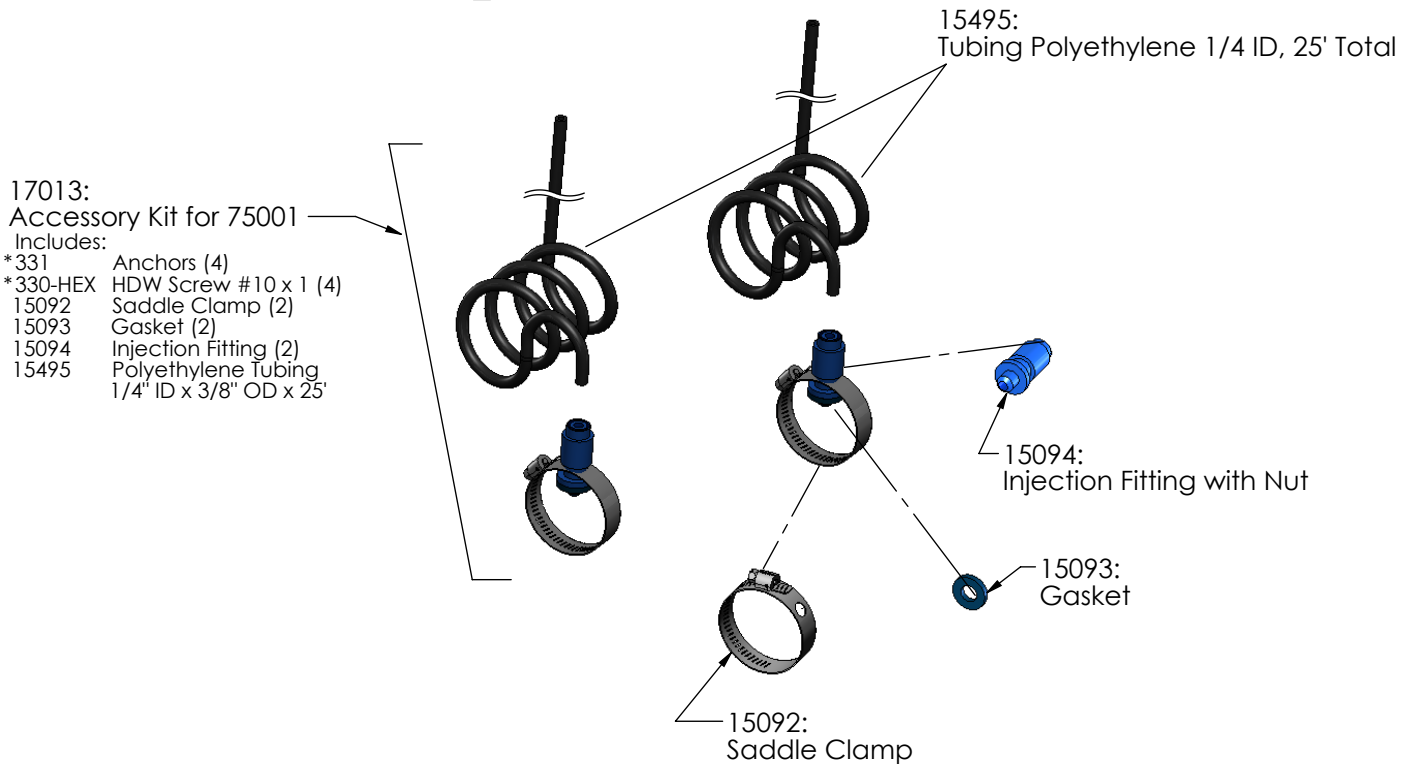
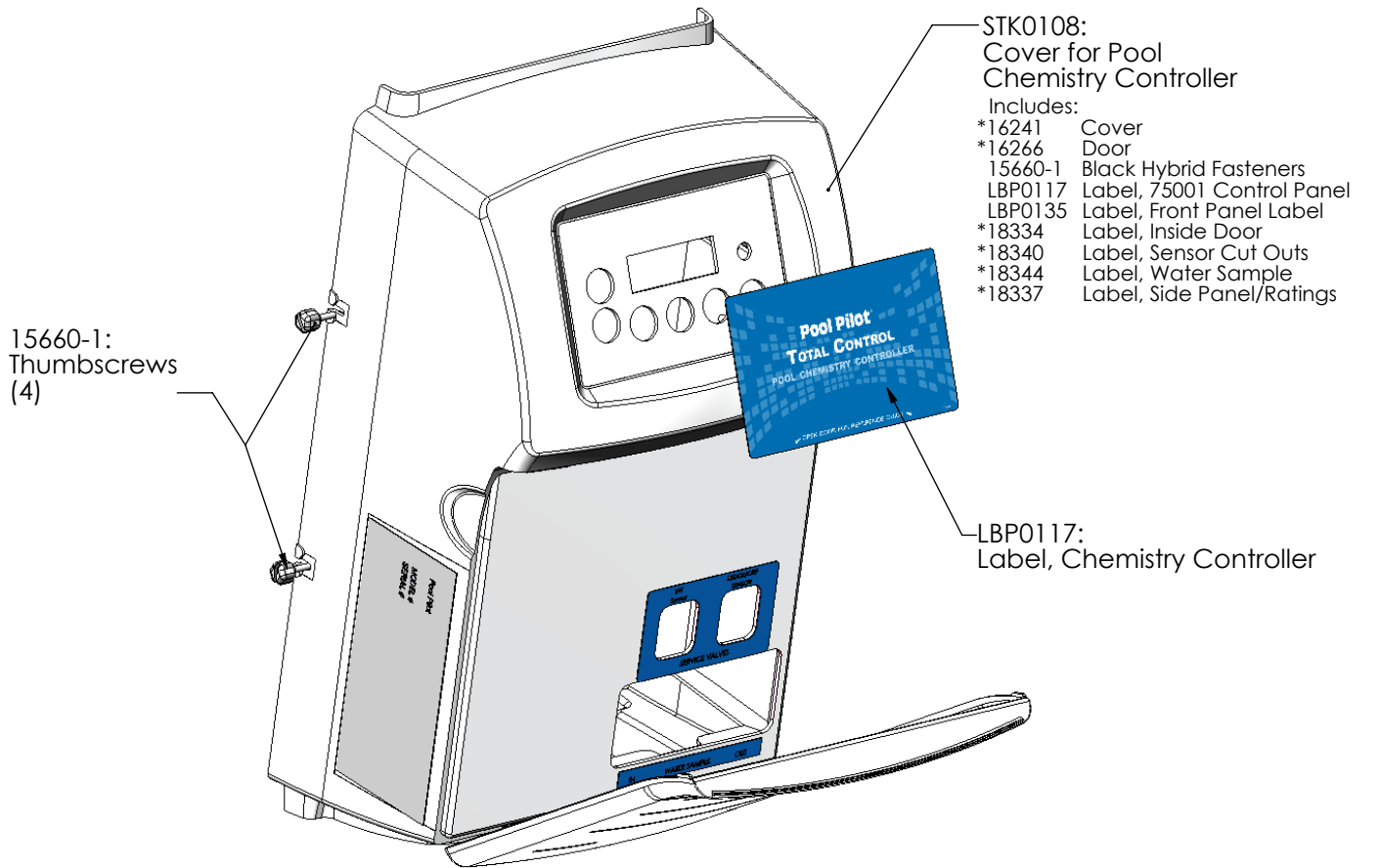
19059:
Metric Adapter
63mm ID Slip x 2" Spigot
Quantity of 2 Needed
Included in Metric Kits
ONLY (Not Glued)



986-ST:
Tri-Sensor Simulator
(Simulates APA0003)

75001 Pool Chemistry Controller Parts

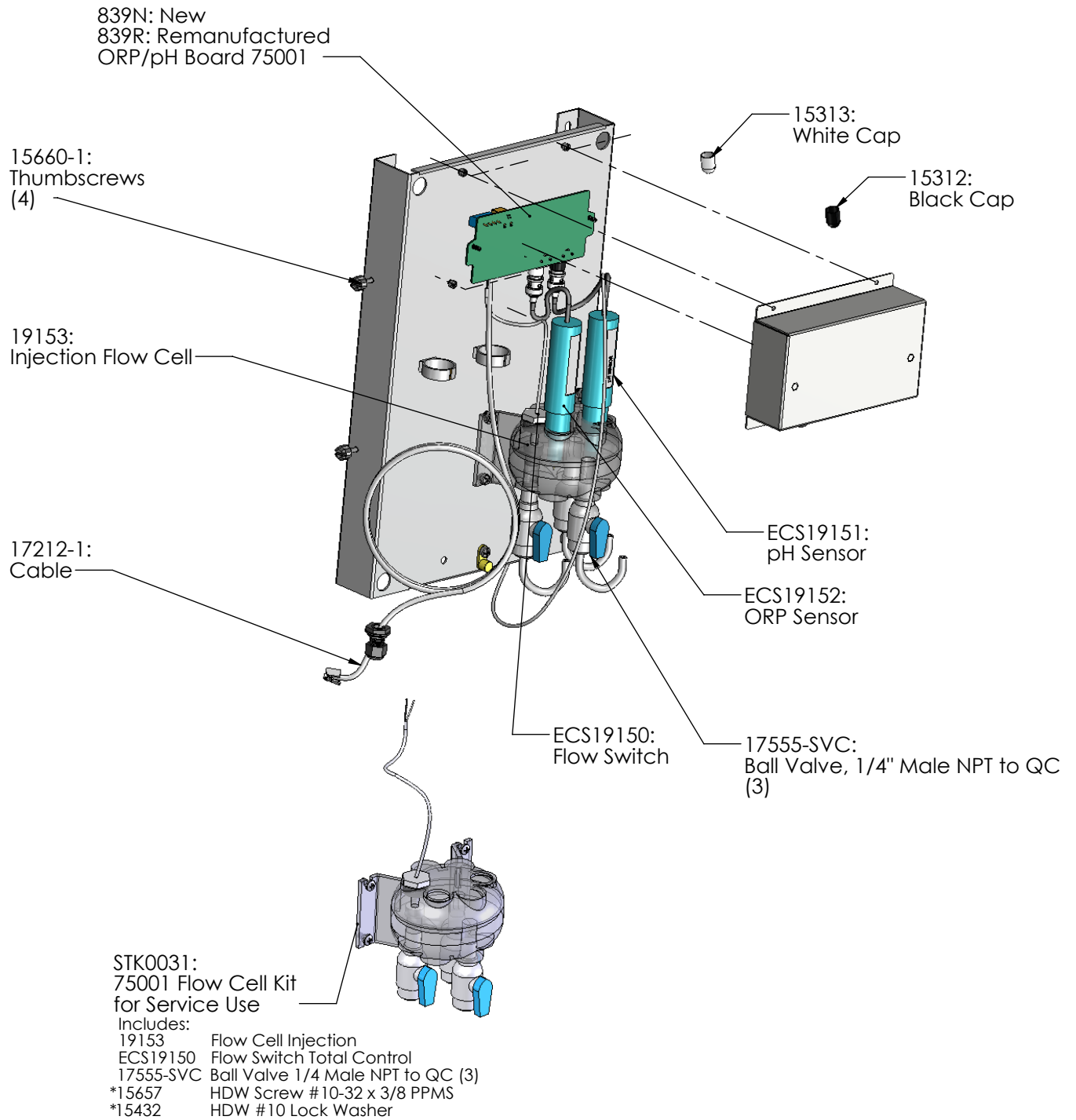
**Total Control
75001**



*Cannot be ordered separately

**Total Control
75001**

75001 Pool Chemistry Controller Parts



*Cannot be ordered separately

STENNER PUMP SYSTEMS

Total Control
Stenner



Stenner Pump Systems

PART #	DESCRIPTION
75004	Stenner Pump/Tank 120V/60 Hz -15 Gallons
75005	Stenner Pump/Tank 220V/60 Hz - 15 Gallons
75006	Stenner Pump/Tank 230-250V/50Hz - 15 Gallons
75009	Stenner Pump/Tank 230-250V/50Hz - 30 Gallons
75010	Stenner Pump/Tank 220V/60Hz - 30 Gallons
75012	Stenner Pump/Tank 120V/60Hz - 30 Gallons
STK0055 is included with 75004, 75005, 75006, 75009, 75010 and 75012. Order STK0071 for replacement equivalents, see pg. 74	

STK0055:
Stenner Pump Installation Kit
Includes:
Connecting Nuts 1/4"
Ferrules
Injection Fitting
Suction/Discharge Tubing 1/4"-20 ft
Strainer
Peristaltic Tube-Sanoprene-#1

Connecting Nut 1/4"



Suction/Discharge Tubing 1/4"



Injection Fitting



Strainer



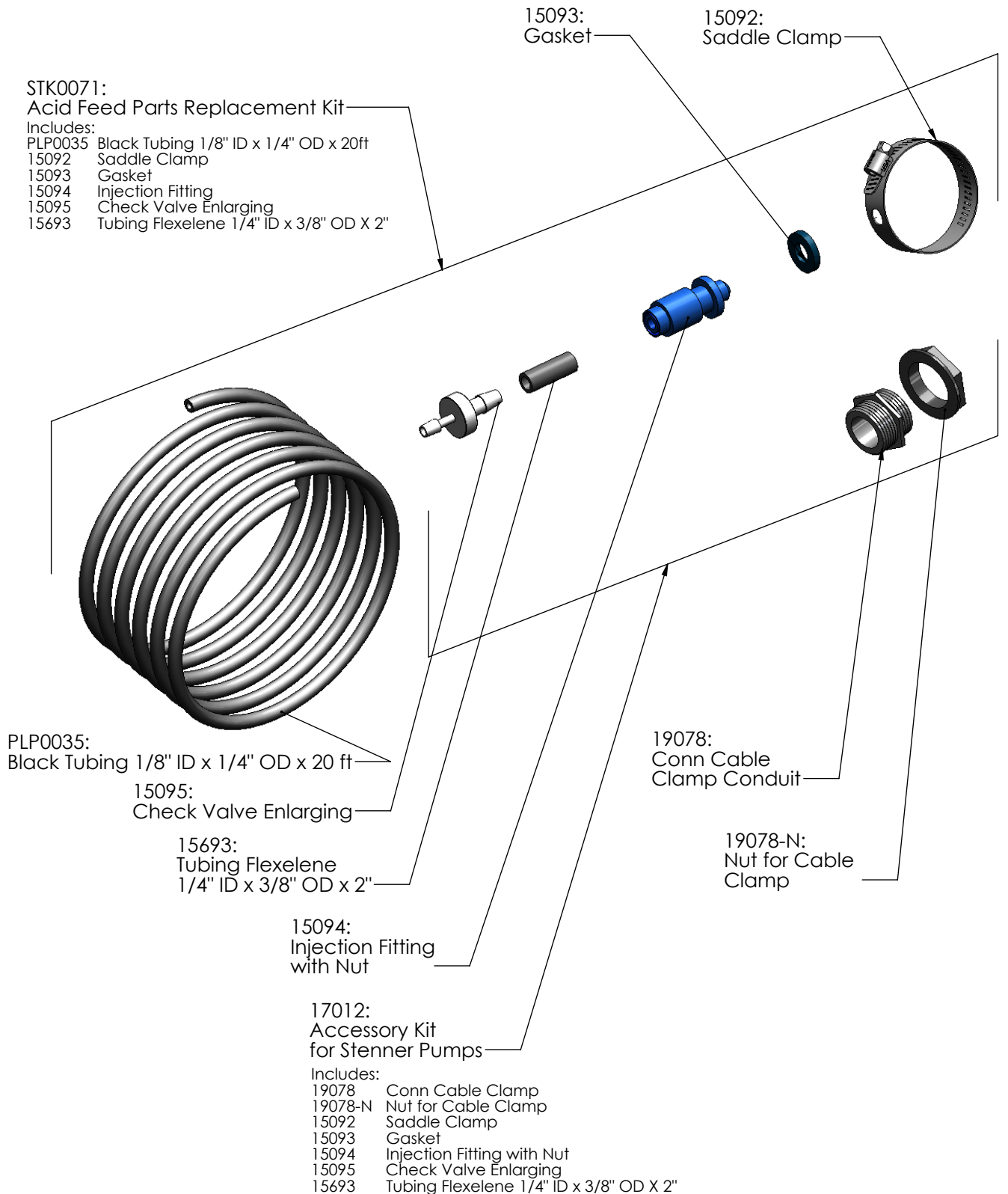
#1 Sanoprene Tube



Ferrules



STENNER SYSTEM ACCESSORIES



STENNER SYSTEM ACCESSORIES

Total Control
Stenner



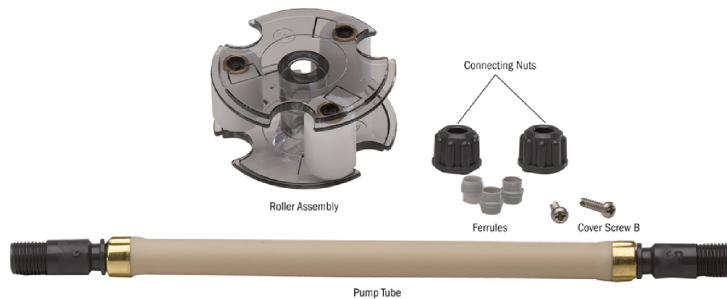
Stenner Motors and Pumps

PART #	DESCRIPTION
75000	45MP1 PUMP FX 25PSI 3GPD 120V/60HZ 1/4B
75027	45MP1 PUMP FX 25PSI 3GPD 220V/60HZ 1/4B
75028	45MP1 PUMP FX 25PSI 3GPD 230V/50HZ 1/4B
75029	45MP3 PUMP FX 25PSI 22GPD 220V/60HZ 1/4B



M100A6:
Stenner 45MP Gear Motor 120V/60Hz 10' Power Cord
M101A6:
Stenner 45MP Gear Motor 220V/60Hz 10' Power Cord
M102A6:
Stenner 45MP Gear Motor 230V/50Hz 10' Power Cord

STK0088:
Stenner Pump #1 Head Service Kit



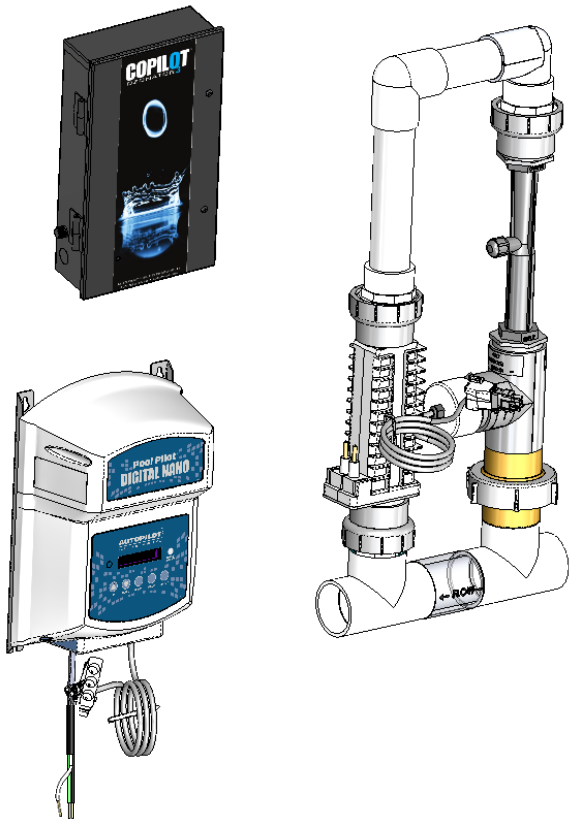
75018:
Stenner Pump #1 Head
Replacement



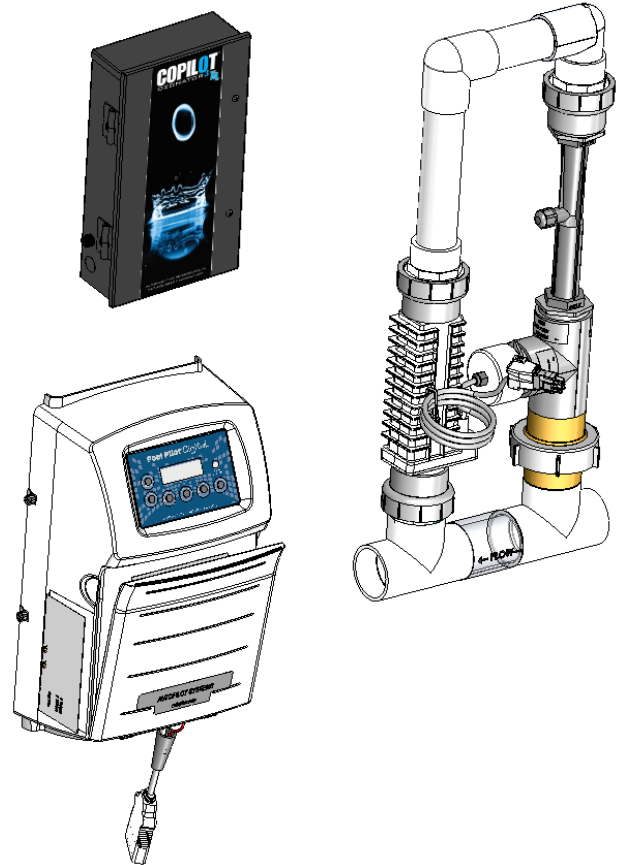
COPILOT® SYSTEMS

CoPilot®

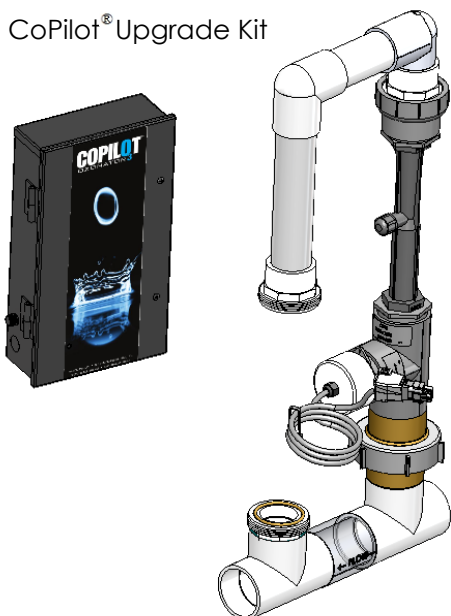
CoPilot® with Digital Nano System



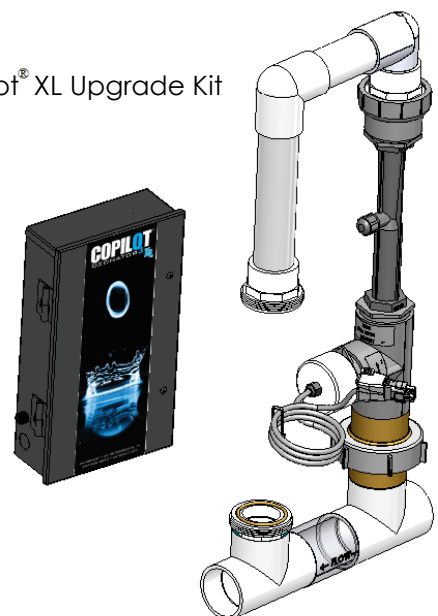
CoPilot® XL with Digital System



CoPilot® Upgrade Kit



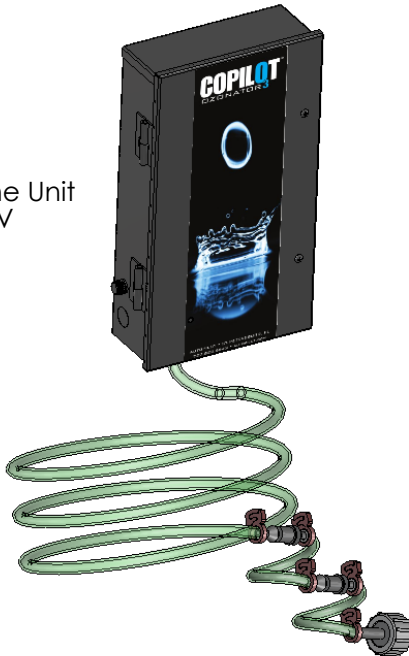
CoPilot® XL Upgrade Kit



CoPilot®

COPILOT With Digital Nano Systems

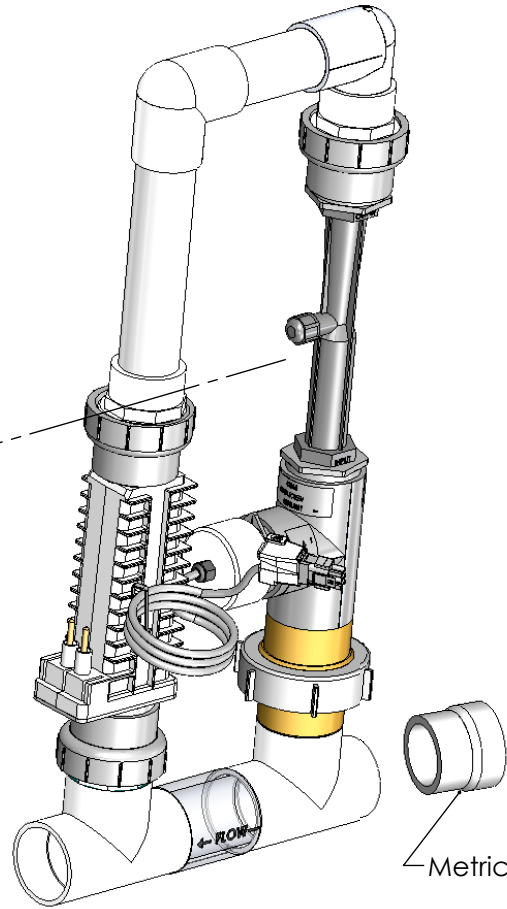
COP-A:
CoPilot® Ozone Unit
110V and 220V



*Pool Pilot® Digital Nano Power Supply
See pg. 32 for Power Supply Parts

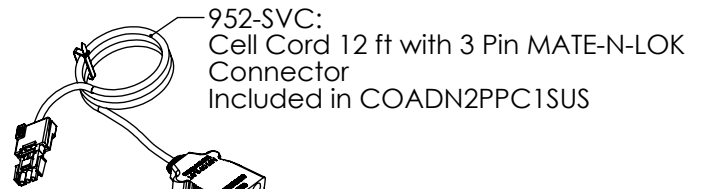


DN2
DN2M



Manifold, Ozone, PPC1 Cell
Included in COADN2PPC1SUS

Metric Adapter(s)



952-SVC:
Cell Cord 12 ft with 3 Pin MATE-N-LOK
Connector
Included in COADN2PPC1SUS

19050:
Red Protective Cap

PART #	DESCRIPTION
COADN2PPC1SUS	Nano 220V with COP-A CoPilot® and Ozone PPC1 Manifold

*Cannot be ordered separately

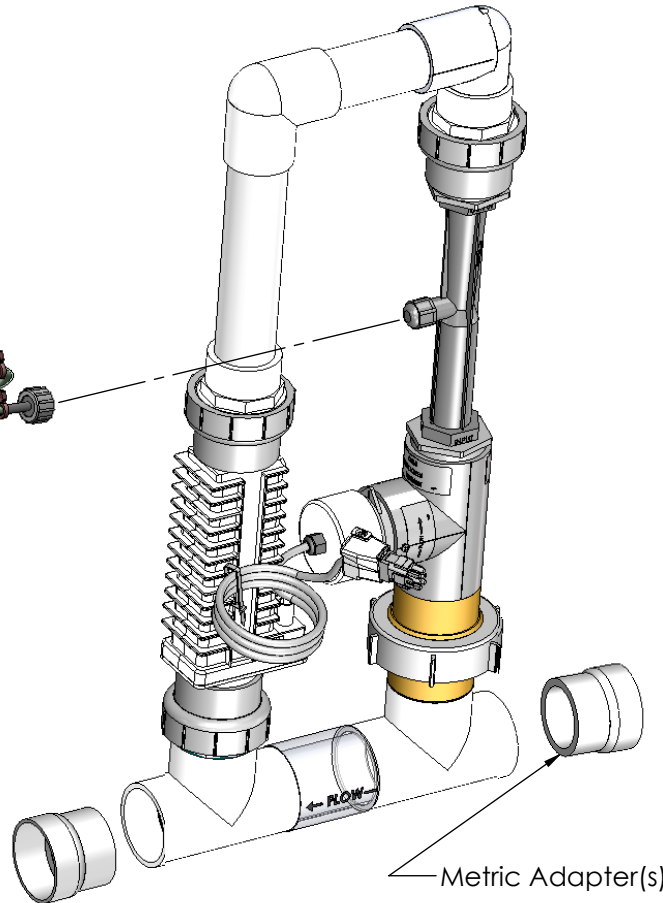
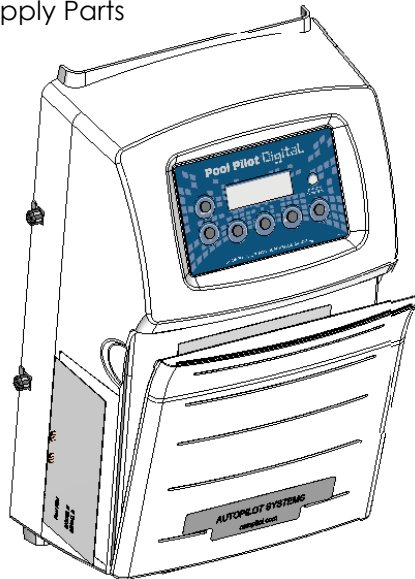
COPILOT[®] With DIG-220 Systems

CoPilot[®]

COP-B:
CoPilot[®] XL Ozone Unit
110V and 220V

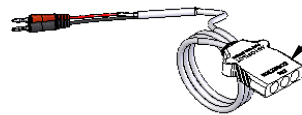


DIG-220:
Digital Power Supply
See pg. 2-3
for Power Supply Parts



Manifold, Ozone, PPC4 Cell
Included in COBDIG2PPC4SUS

952-ST/DIG-SVC:
Cell Cord 12 ft
Included in COBDIG2PPC4SUS



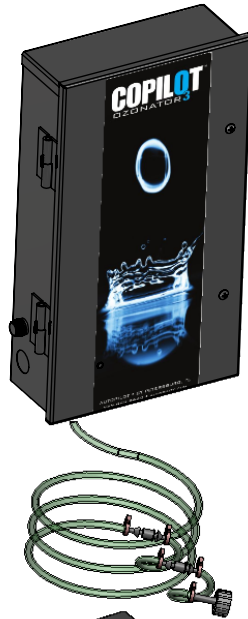
19050:
Red Protective Cap

PART #	DESCRIPTION
COBDIG2PPC4SUS	DIG-220 with COP-B CoPilot [®] XL and Ozone PPC4 Manifold

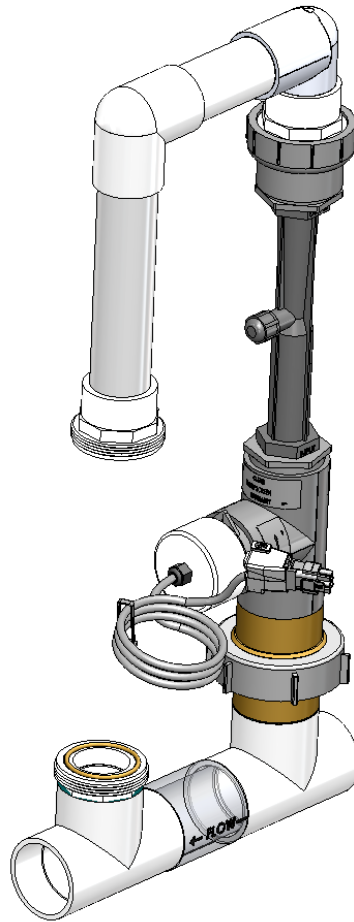
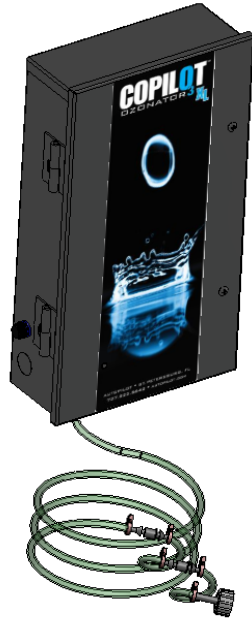
*Cannot be ordered separately

COPILOT® UPGRADE KITS

COP-A:
CoPilot® Ozone Unit
110V and 220V



COP-B:
CoPilot® XL Ozone Unit
110V and 220V



APK0017:
See pg. 82

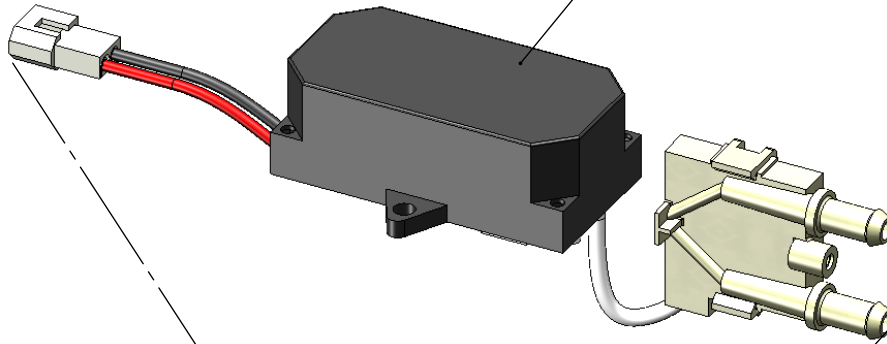
PART #	DESCRIPTION
COA1XXXXUUS	CoPilot® Upgrade Kit for Nano Includes: COP-A CoPilot® Ozone Unit and APK0017 Ozone Injector Manifold Assy
COB2XXXXUUS	CoPilot® XL Upgrade Kit for DIG-220. Includes: COP-B CoPilot® XL Ozone Unit and APK0017 Ozone Injector Manifold Assy

*Cannot be ordered separately

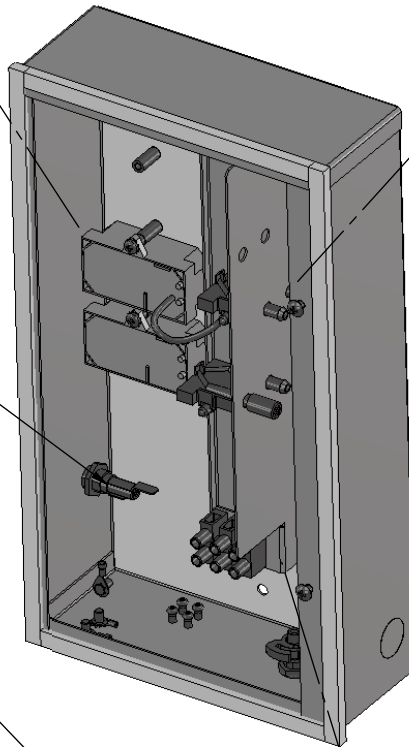
COPILOT[®] Power Supply Parts

CoPilot[®]

APK0052 (9-1056-01):
Power Supply Replacement for COP-A and COP-B

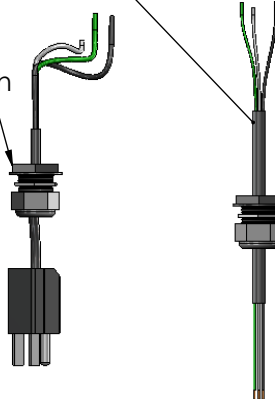


15611-SVC:
Fuse, 1 A, .250" OD x 1.25" Long
for COP-A and COP-B



APK0054:
220V Power Cable with
Grommet for CoPilot[®], 3 ft

APK0053:
110V Power Cord/Plug with
Grommet for CoPilot[®], 3 ft



APK0016 (9-0789-10):
Flow Control Assembly
for all CoPilot[®] Models



COPILOT® MANIFOLD

APK0017:
CoPilot® Manifold Kit
Includes:
*PLM0011 Top Manifold Assembly
*PLM0016 Manifold Ozone Injector Assy
*PLM0013 Manifold Ozone Base Assy

APK0013 (9-0770-02):
Check Valve and Tube
Assembly (11 ft.) for all
CoPilot® Models
Not Included in APK0017

APA0003:
Tri-Sensor with
Cord Assembly

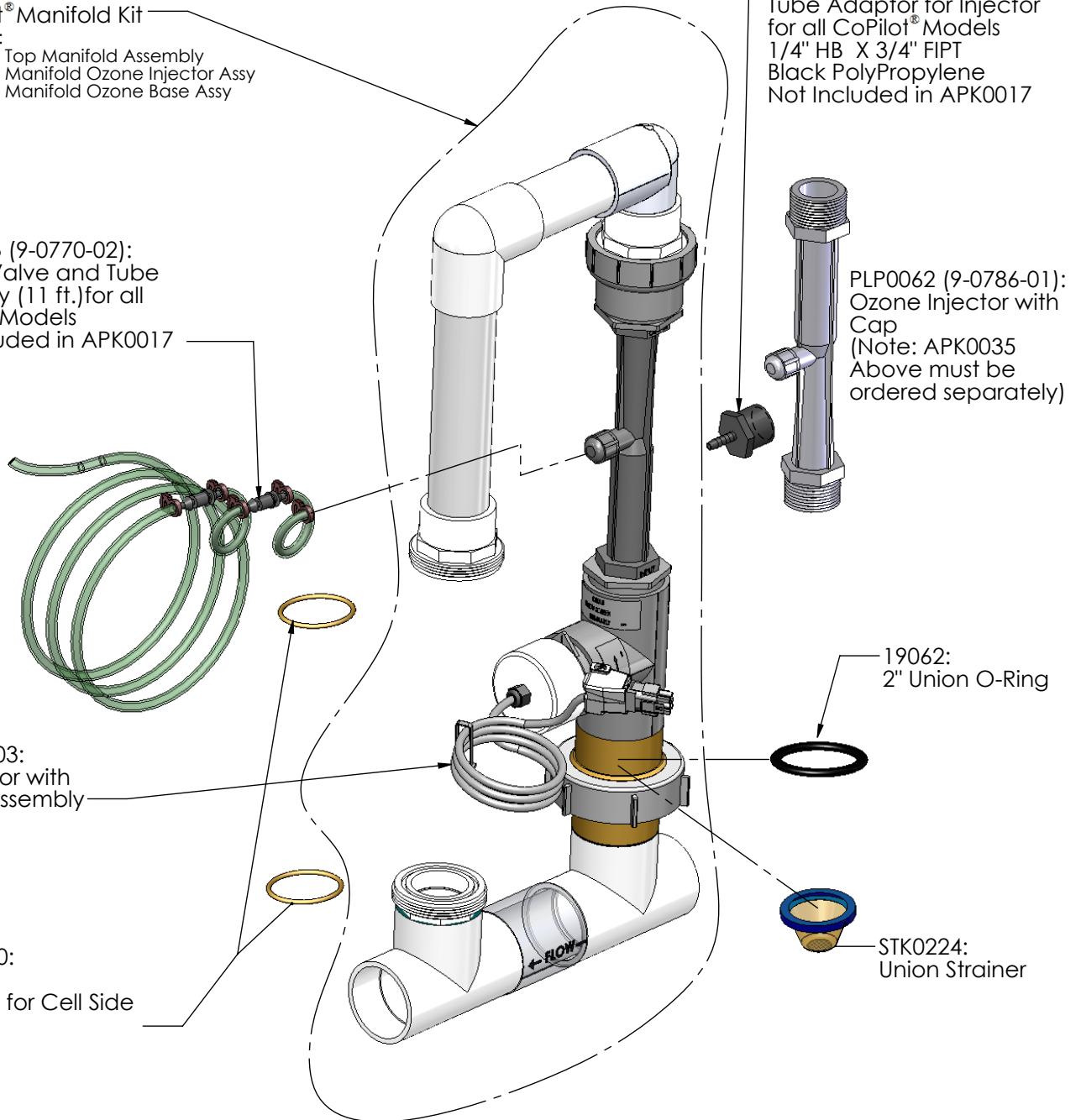
19070-0:
1-1/2"
O-Ring for Cell Side

APK0035 (7-1434-01):
Tube Adaptor for Injector
for all CoPilot® Models
1/4" HB X 3/4" FIPT
Black PolyPropylene
Not Included in APK0017

PLP0062 (9-0786-01):
Ozone Injector with
Cap
(Note: APK0035
Above must be
ordered separately)

19062:
2" Union O-Ring

STK0224:
Union Strainer



For Cells See pg. 83

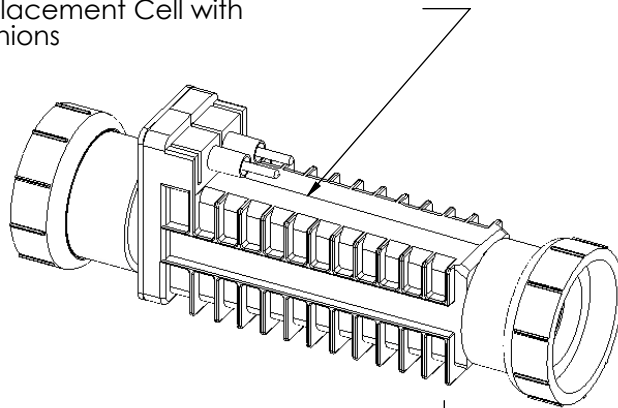
*Cannot be ordered separately

CELL OPTIONS

CoPilot®

PPC1:
PPC1 Replacement Cell with Female Unions

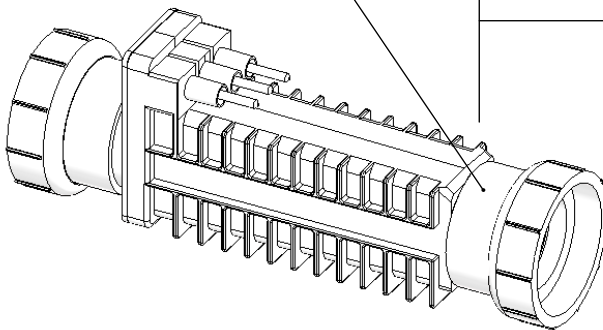
PPC3:
PPC3 Replacement Cell with
Female Unions



STK0048:
Cracked Union Nut
Service Kit

PPC4:
PPC4 Replacement Cell
with Female Unions

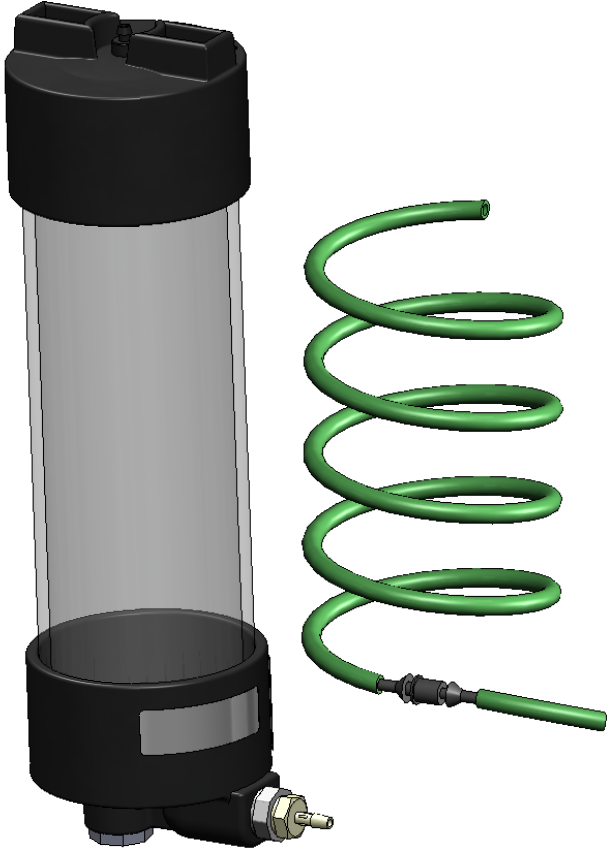
PPC5:
PPC5 Replacement Cell
with Female Unions
(Commercial)
for Single Cell Manifold



CoPilot® Cell Options

CELL	DIGITAL NANO	DIG-220
PPC1	X	X
PPC3	N/A	X
PPC4	N/A	X
PPC5	N/A	X

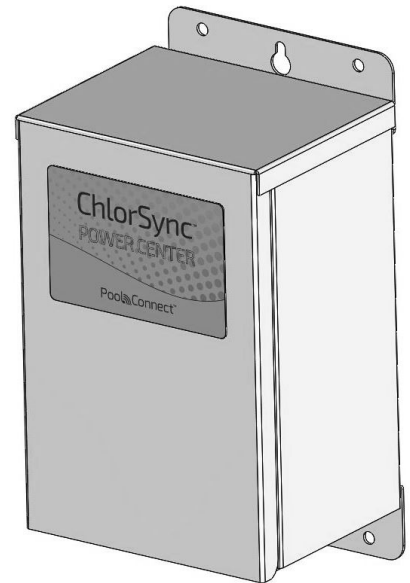
ACCESSORIES/TOOLS



APK0036 (9-0897-01):
Ozone Backflow Preventer Clear



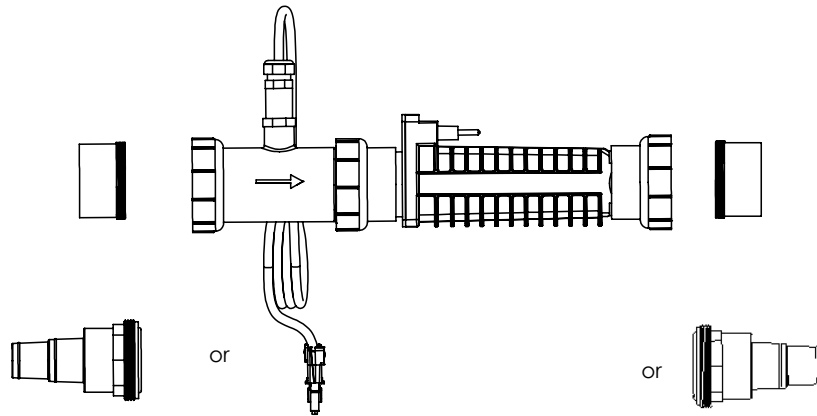
APK0037 (9-0897-02):
Ozone Backflow Preventer White



PART#	DESCRIPTION
CS30	ChlorSync® 30,000 Gallon Cell
CS40	ChlorSync® 40,000 Gallon Cell
CS50	ChlorSync® 50,000 Gallon Cell
ECP0312	ChlorSync® Power Center
ECP0343	PoolSync®

ECO NANO

Eco Nano



PART #	DESCRIPTION
EN2	Eco Nano, 220V with PPC1 Inline Cell
EN2EU	Eco Nano 220V with PPC1 Inline Cell and Metric Adapters

ECO NANO Power Supply Parts

Eco Nano

STK0065:

Transformer Replacement Kit with
Mounting Screws

STK0093:

Eco Nano Power Board Replacement Kit

Includes:

*CBP0004	Eco Nano Power Supply Assy
ECP0123-SVC	Fuse 2A,5x20mm,250VAC (Use for 110VAC)
ECP0124-SVC	Fuse 1A,5x20mm,250VAC (Use for 220VAC)
*15486	HDW Screw #6-32 X 5/16
STK0095	Wire and Cable Replacement Kit

STK0094:

Eco Nano Display PC Board Repl. Kit

Includes:

*846-2	Display Board Eco Nano
20011	Modular Cable Assy

APK0042:
Flow Switch
Assy

APS0008:

Fuse Assy
Includes 2A Fuse
(ECP0123-SVC),
Holder, and Wires

ECP0123-SVC:
(Use for 110VAC), Fuse,
2A,5x20mm,250VAC
or
ECP0124-SVC:
(Use for 220VAC), Fuse,
1A,5x20mm,250VAC

STK0196:

Power Cord Kit 110V

STK0220:

Power Cord Kit
220V

STK0195:

Eco Nano Cover Repl. Kit

Includes:

*PCP0150	Molded Cover
*LBP0284	Label, Eco Nano Cover Control
*LBP0283	Label, Eco Nano Cover Top
*GKP0111	O-Ring for Eco Nano Cover
*GKP0013	O-Ring Cord 3.5mm
*15403	#6-32 x 3/4 Screw PPMS

STK0095:

Wire and Cable Replacement Kit

Includes:

*22AK1800522	Wire Assy 18AWG, UL 1007, Black
*22AR1800522	Wire Assy 18AWG, UL 1007 Red
*22AY1800522	Wire Assy 18AWG, UL 1007 Yellow
*22AW1800522	Wire Assy 18AWG, UL 1007 White
20011	Modular Cable Assy

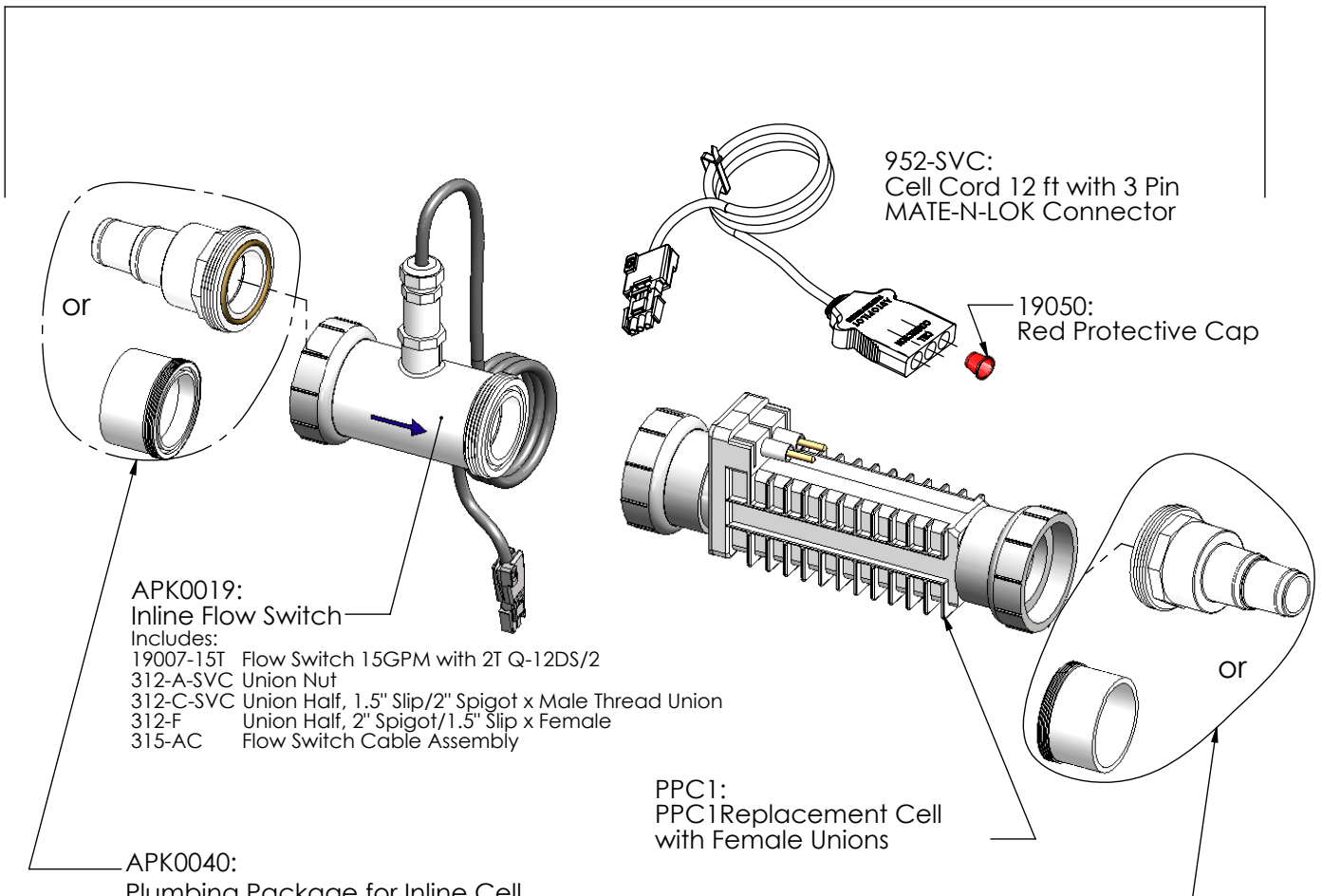
*Cannot be ordered separately

ECO NANO PLUMBING

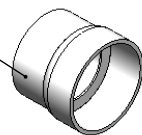
Inline Cell With Flow Switch

Eco Nano

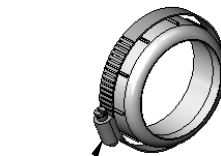
Inline Cell
 Included with Eco Nano
 Includes:
 PPC1 Replacement Cell
 952-SVC Cell Cord
 APK0040 Plumbing Package for Manifold
 APA0019 Flow Switch Kit



19059:
 Metric Adapter
 63mm ID Slip x 2" Spigot
 Quantity of 2 Needed
 Included in Metric Kits
 ONLY (Not Glued)



STK0048:
 Cracked Union Nut
 Service Kit



AG Power Supply Parts

AG

STK0065:
Transformer Replacement Kit with
Mounting Screws

STK0093:
AG Power Board Replacement Kit
Includes:
*CBP0004 Power Supply Assy
*ECP0123-SVC Fuse 2A,5x20mm,250VAC (Use for 110VAC)
*ECP0124-SVC Fuse 1A,5x20mm,250VAC (Use for 220VAC)
*15486 HDW Screw #6-32 X 5/16
*STK0095 Wire and Cable Replacement Kit

APK0042:
AG Flow Switch
Assy

STK0094:
Display PC Board Replacement Kit
Includes:
*846-2 Display Board for AG
20011 Modular Cable Assy for AG

APS0008:
Fuse Assy for AG
Includes 2A Fuse
(ECP0123-SVC),
Holder, and Wires

ECP0123-SVC:
(Use for 110VAC),Fuse,
2A,5x20mm,250VAC
or
ECP0124-SVC:
(Use for 220VAC),Fuse,
1A,5x20mm,250VAC

Used on AGR
and AGN

APK0020:
Flow Switch Jumper
Cable Assy Kit
Included with AGR
Only

STK0092:
AG Cover Replacement Kit
Includes:
*PCP0150 Molded Cover for AG
*LBP0106 Label, AG Cover Control
*LBP0107 Label, AG Cover Top
*GKP0111 O-Ring for AG Cover
*GKP0013 O-Ring Cord 3.5mm
*15403 #6-32 x 3/4 Screw PPMS

STK0095:
Wire and Cable Replacement Kit
Includes:
*22AK1800522 Wire Assy 18AWG, UL 1007, Black
*22AR1800522 Wire Assy 18AWG, UL 1007 Red
*22AY1800522 Wire Assy 18AWG, UL 1007 Yellow
*22AW1800522 Wire Assy 18AWG, UL 1007 White
20011 Modular Cable Assy

*Cannot be ordered separately

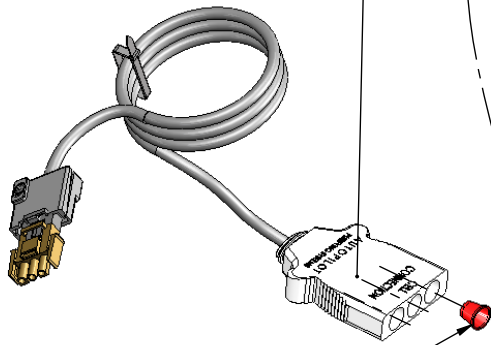
AG

AG PLUMBING

Return Jet Manifold With Cell

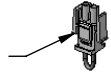
APK0018:
Return Jet Adaptor for AG
Includes:
PLP0080 Street Elbow 1-1/2" MIPT X 2" Slip
312-C-SVC Union Half, 1.5" Slip/2" Spigot x MTU
*PCP0122 PVC Pipe, 1-1/2" ID x 2-3/8" Long

952-SVC:
Cell Cord 12 ft with 3 Pin
MATE-N-LOK Connector
or
952-24:
Cell Cord 24 ft

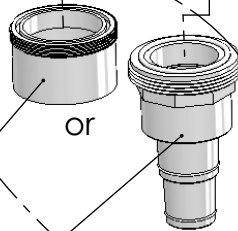


19050:
Red Protective Cap

APK0020:
Flow Switch Jumper Kit



312-D:
Union Half, 2" Slip x Male Thread Union
(with O-Ring 19069-0)



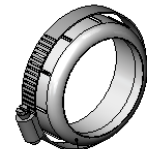
312-G:
Union Half, MT Union x Flex
(with O-Ring 19070-0)

APK0039:
Plumbing Package for Manifold
for Return Jet

Includes:
PLP0080 Street Elbow 1-1/2" MIPT X 2" Slip
312-G Union Half, Male Thread Union x 1.5"/1.25" Flex Hose
312-D Union Half, Male Thread Union x 2" Slip
312-C-SVC Union Half, 1.5" Slip/2" Spigot x Male Thread Union
*PCP0122 PVC Pipe, 1-1/2" ID x 2-3/8" Long

Return Jet Manifold
Included with AGR
Includes:
PPC1 PPC1 Replacement Cell
952-SVC Cell Cord
APK0039 Plumbing Pkg. for Manifold
APK0020 Flow Switch Jumper Kit

PPC1:
PPC1 Replacement Cell
with Female Unions



STK0048:
Cracked Union Nut
Service Kit

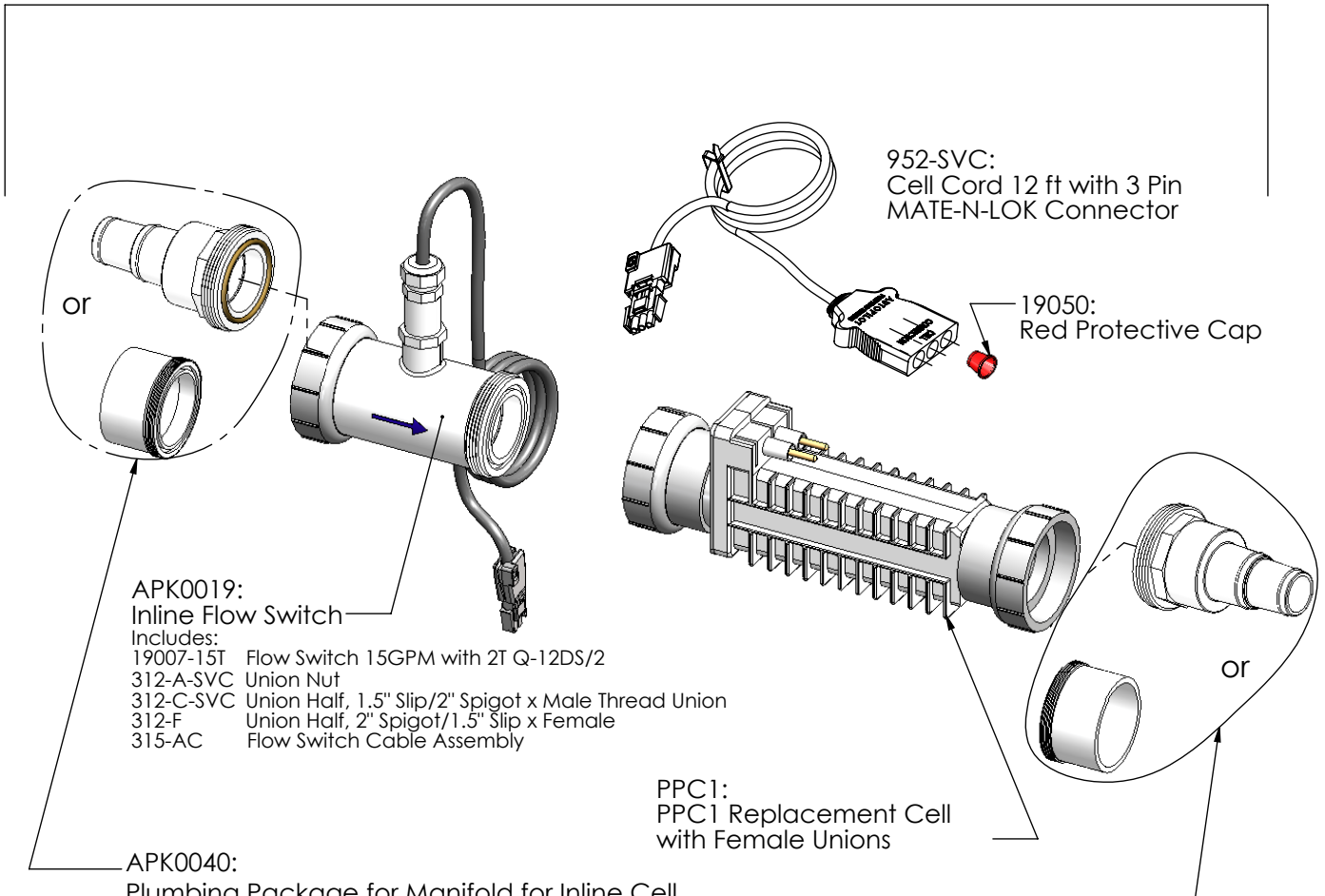
*Cannot be ordered separately

AGN PLUMBING

Inline Cell With Flow Switch

AG

Inline Cell
 Included with AGN
 Includes:
 PPC1 PPC1 Replacement Cell
 952-SVC Cell Cord
 APK0040 Plumbing Package for Manifold
 APA0019 Flow Switch Kit



APK0019:
 Inline Flow Switch
 Includes:
 19007-15T Flow Switch 15GPM with 2T Q-12DS/2
 312-A-SVC Union Nut
 312-C-SVC Union Half, 1.5" Slip/2" Spigot x Male Thread Union
 312-F Union Half, 2" Spigot/1.5" Slip x Female
 315-AC Flow Switch Cable Assembly

APK0040:
 Plumbing Package for Manifold for Inline Cell
 Includes:
 312-G Union Half, Male Thread Union x 1.5"/1.25" Flex Hose (2)
 312-D Union Half, 2" Slip x Male Thread Union (with O-Ring) (2)

952-SVC:
 Cell Cord 12 ft with 3 Pin
 MATE-N-LOK Connector

19050:
 Red Protective Cap

PPC1:
 PPC1 Replacement Cell
 with Female Unions

19059:
 Metric Adapter
 63mm ID Slip x 2" Spigot
 Quantity of 2 Needed
 Included in Metric Kits
 ONLY (Not Glued)

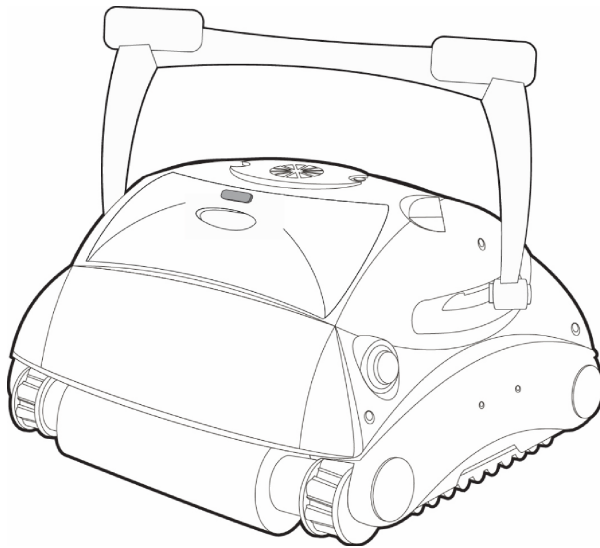
STK0048:
 Cracked Union Nut
 Service Kit

AQUACLEAN PLUS

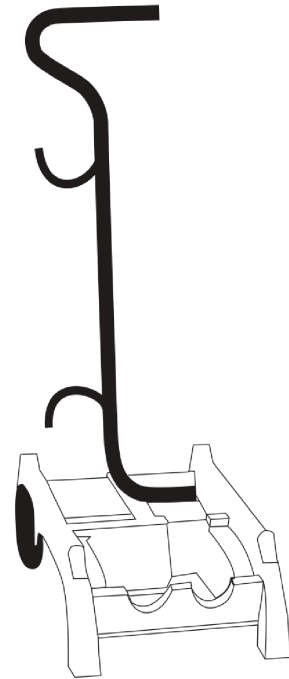
Robotic Pool Cleaner

AquaClean

ACLEAN5



ACLEANCADDY



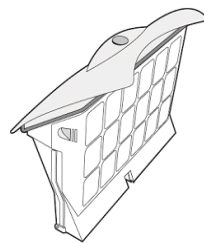
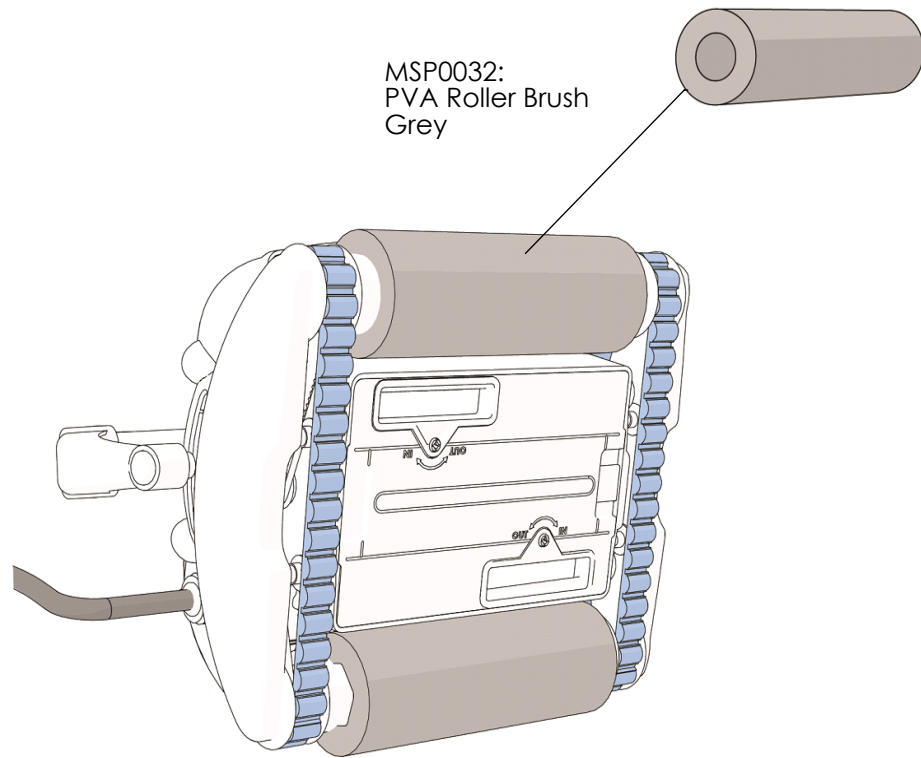
PART #	DESCRIPTION
ACLEAN5	AquaClean Plus Robotic Pool Cleaner 115V/230V
ACLEANCADDY	Pool Cleaner Caddy

AquaClean

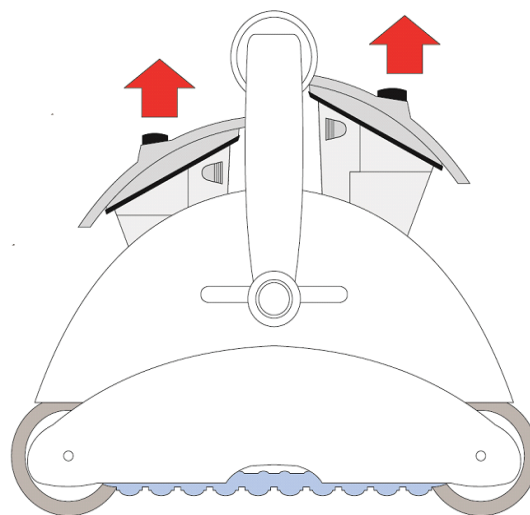
AQUACLEAN PLUS

Replacement Parts

ACLEAN5



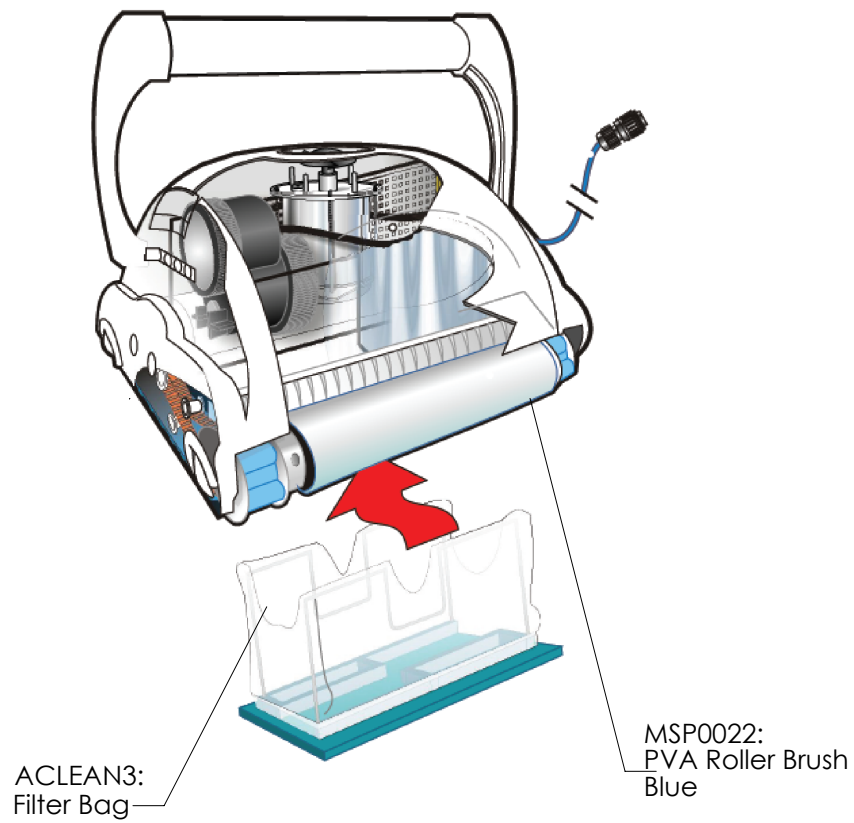
MSP0033:
Filter House Assy



AQUACLEAN Replacement Parts

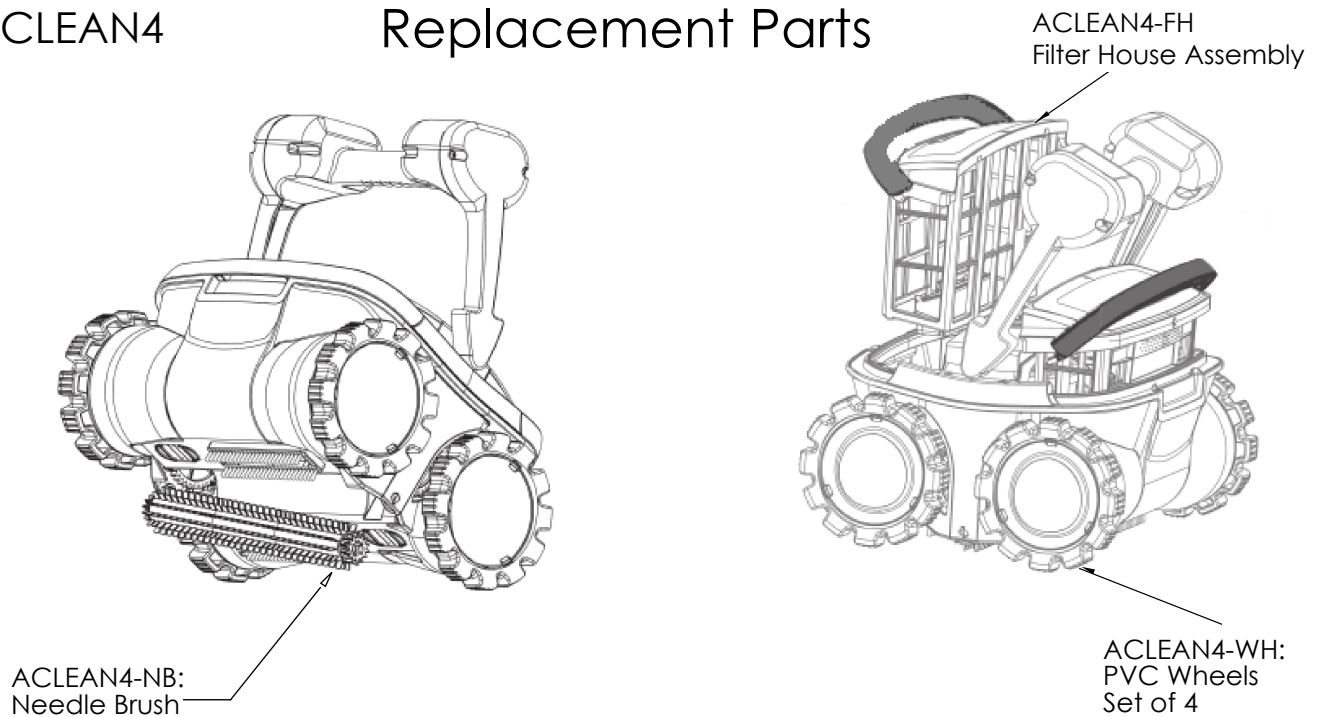
AquaClean

ACLEAN1



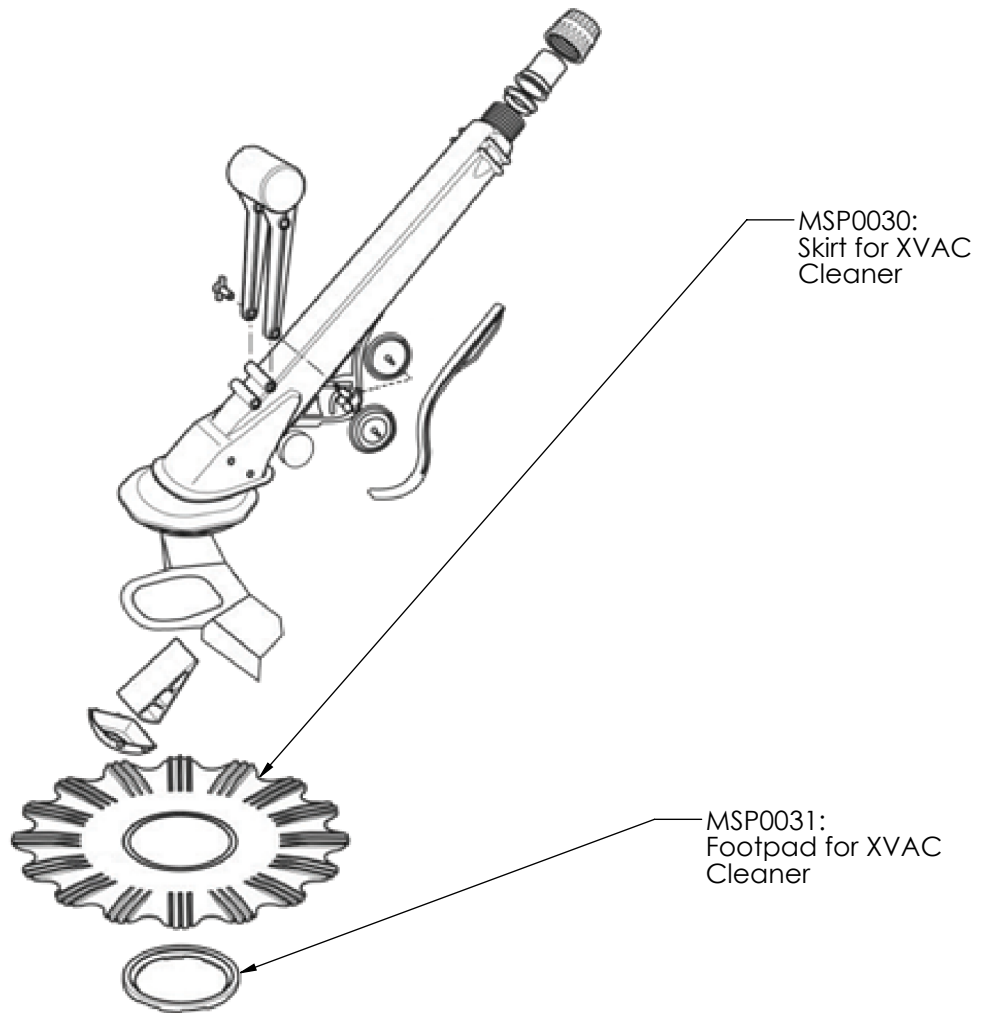
AQUACLEAN EZ Replacement Parts

ACLEAN4



XVAC Suction Cleaner

XVAC



PART #	DESCRIPTION
XVAC	XVAC Suction Cleaner

JB FITTINGS

Schedule 40 PVC

JB Fittings

90° ELL
(Soc x Soc)



Universal Number	Size (in.)	Std Pack
406-005	1/2	100
406-007	3/4	100
406-010	1	100
406-012	1 1/4	100
406-015	1 1/2	50
406-020	2	50

90° ELL
(Soc x Fipt)



Universal Number	Size (in.)	Std Pack
407-005	1/2	100
407-007	3/4	100
407-101	3/4 x 1/2	100

90° STREET ELL
(Spig x Soc)



Universal Number	Size (in.)	Std Pack
409-005	1/2	100
409-007	3/4	100
409-010	1	50
409-012	1 1/4	50
409-015	1 1/2	50
409-020	2	25

90° STREET ELL
(Mipt x Soc)



Universal Number	Size (in.)	Std Pack
410-005	1/2	100
410-007	3/4	100
410-010	1	50
410-012	1 1/4	50
410-015	1 1/2	50
410-020	2	10

90° ELL
(Soc x Soc)



Universal Number	Size (in.)	Std Pack
B406-015	1 1/2	50
B406-020	2	50

JB Fittings

JB FITTINGS

Schedule 40 PVC

90° STREET ELL
(Spig x Soc)



Universal Number	Size (in.)	Std Pack
B409-015	1½	50
B409-020	2	25

45° ELL
(Soc x Soc)



Universal Number	Size (in.)	Std Pack
417-005	½	100
417-007	¾	100
417-010	1	100
417-012	1¼	100
417-015	1½	100
417-020	2	50

45° STREET ELL
(Spig x Soc)



Universal Number	Size (in.)	Std Pack
400-010	1	50

45° ELL
(Soc x Soc)



Universal Number	Size (in.)	Std Pack
B417-015	1½	100
B417-020	2	50

TEE
(Soc x Soc x Soc)



Universal Number	Size (in.)	Std Pack
401-005	½	100
401-007	¾	100
401-010	1	100
401-012	1¼	50
401-015	1½	50
401-020	2	25

JB FITTINGS

Schedule 40 PVC

JB Fittings

TEE Reducing
(Soc x Soc x Soc)



Universal Number	Size (in.)	Std Pack
401-101	$\frac{3}{4} \times \frac{3}{4} \times \frac{1}{2}$	100
401-130	$1 \times 1 \times \frac{1}{2}$	100
401-131	$1 \times 1 \times \frac{3}{4}$	100
401-166	$1\frac{1}{4} \times 1\frac{1}{4} \times \frac{1}{2}$	50
401-167	$1\frac{1}{4} \times 1\frac{1}{4} \times \frac{3}{4}$	50
401-168	$1\frac{1}{4} \times 1\frac{1}{4} \times 1$	50
401-209	$1\frac{1}{2} \times 1\frac{1}{2} \times \frac{1}{2}$	50
401-210	$1\frac{1}{2} \times 1\frac{1}{2} \times \frac{3}{4}$	50
401-211	$1\frac{1}{2} \times 1\frac{1}{2} \times 1$	50
401-212	$1\frac{1}{2} \times 1\frac{1}{2} \times 1\frac{1}{4}$	50
401-247	$2 \times 2 \times \frac{1}{2}$	25
401-248	$2 \times 2 \times \frac{3}{4}$	25
401-249	$2 \times 2 \times 1$	25
401-250	$2 \times 2 \times 1\frac{1}{4}$	25
401-251	$2 \times 2 \times 1\frac{1}{2}$	25

TEE Reducing
(Soc x Soc x Fipt)



Universal Number	Size (in.)	Std Pack
402-005	$\frac{1}{2} \times \frac{1}{2} \times \frac{1}{2}$	100
402-101	$\frac{3}{4} \times \frac{3}{4} \times \frac{1}{2}$	100
402-130	$1 \times 1 \times \frac{1}{2}$	100
402-166	$1\frac{1}{4} \times 1\frac{1}{4} \times \frac{1}{2}$	50

TEE
(Soc x Soc x Soc)



Universal Number	Size (in.)	Std Pack
B401-015	$1\frac{1}{2}$	50
B401-020	2	25

COUPLING
(Soc x Soc)



Universal Number	Size (in.)	Std Pack
429-005	$\frac{1}{2}$	100
429-007	$\frac{3}{4}$	100
429-010	1	100
429-012	$1\frac{1}{4}$	100
429-015	$1\frac{1}{2}$	100
429-020	2	50

COUPLING
(Soc x Soc)



Universal Number	Size (in.)	Std Pack
B429-015	$1\frac{1}{2}$	100
B429-020	2	50

JB Fittings

JB FITTINGS Schedule 40 PVC

FEMALE ADAPTER (Soc x Fipt)



Universal Number

Size (in.)

Std Pack

435-005	1/2	100
435-007	3/4	100
435-010	1	100
435-012	1 1/4	100
435-015	1 1/2	100
435-020	2	50

MALE ADAPTER (Mipt x Soc)



Universal Number

Size (in.)

StdPack

436-005	1/2	100
436-007	3/4	100
436-010	1	100
436-012	1 1/4	100
436-015	1 1/2	100
436-020	2	50

REDUCER BUSHING (Spig x Soc)



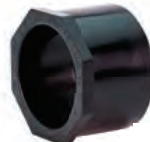
Universal Number

Size (in.)

Std Pack

437-101	3/4 x 1/2	100
437-130	1 x 1/2	100
437-131	1 x 3/4	100
437-167	1 1/4 x 3/4	100
437-168	1 1/4 x 1	100
437-211	1 1/2 x 1	100
437-212	1 1/2 x 1 1/4	100
437-250	2 x 1 1/4	50
437-251	2 x 1 1/2	50

REDUCER BUSHING (Spig x Soc)



Universal Number

Size (in.)

Std Pack

B437-212	1 1/2 x 1 1/4	100
B437-251	2 x 1 1/2	50

PLUG (Spig)



Universal Number

Size (in.)




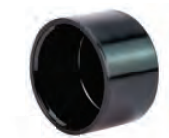


Std Pack

449-007	3/4	100
---------	-----	-----

JB FITTINGS

Schedule 40 PVC

JB Fittings

PLUG (Mipt)	Universal Number	Size (in.)	Std Pack
	450-007	3/4	100
CAP (Soc)	Universal Number	Size (in.)	Std Pack
	447-005	1/2	100
	447-007	3/4	100
	447-010	1	100
	447-012	1 1/4	100
	447-015	1 1/2	50
	447-020	2	50
CAP (Fipt)	Universal Number	Size (in.)	Std Pack
	448-005	1/2	100
	448-007	3/4	100
	448-010	1	50
	448-012	1 1/4	50
	448-015	1 1/2	50
	448-020	2	50
CAP (Soc)	Universal Number	Size (in.)	Std Pack
	B447-015	1 1/2	50
	B447-020	2	50
RUNNING TRAP	Number	Size (in.)	Std Pack
	PLM0047	3/4	10
P - TRAP	Number	Size (in.)	Std Pack
	PLM0048	3/4	10

INDEX

Part Number

110-ORP, 4, 14, 25
15092, 46, 48, 56, 58, 71, 74
15093, 46, 48, 56, 58, 71, 74
15094, 46, 48, 56, 58, 71, 74
15095, 48, 58, 74
15179, 3
15312, 72
15313, 72
15495, 46, 56, 71
15531, 3, 65
15611-SVC, 32, 38, 45, 55, 81
15619-SVC, 32, 38, 45, 55
15623-3, 3, 13, 22, 24, 65
15626, 3, 13, 65
15627, 3, 13, 22, 24, 65
15660-1, 2, 12, 64, 71-72
15693, 48, 58, 74
16081A, 22, 24
16081AR, 22, 24
16084, 3, 13, 65
16084R, 3, 13, 65
16238, 2
16242, 12
16243, 64
17012, 74
17013, 46, 56, 71
17206-SVC, 22
17212-1, 47, 57, 72
17407, 22, 24
17555-SVC, 47, 57, 72
19007, 89, 93
19007-15T, 89, 93
19028, 5-6, 15-16, 26, 33, 39,
49, 59, 66-67
19050, 2, 12, 32, 38, 45, 55,
64, 78-79, 89, 92-93
19059, 5, 10, 15, 20, 33, 35,
39, 41, 49, 51, 59, 61, 66,
70, 89, 93
19062, 5-6, 15-16, 26, 33, 39,
49, 59, 66-67, 82, 86
19069-0, 6, 10, 16, 20, 26, 28,
35, 41, 51, 61, 67, 70, 92
19070, 5, 10, 15, 20, 33, 35,
39, 41, 49, 51, 59, 61, 66,
70, 82, 92
19070-0, 5, 10, 15, 20, 33, 35,
39, 41, 49, 51, 59, 61, 66,
70, 82, 92
19073, 10, 20, 35, 41, 51, 61,
70
19078, 4, 14, 25, 74
19078-N, 74
19153, 47, 57, 72
20011, 88, 91
312-A-SVC, 8, 10, 18, 20, 28,
35, 41, 51, 61, 70, 89, 93
312-B-SVC, 10, 20, 28, 35, 41,
51, 61, 70
312-C-SVC, 8, 10, 18, 20, 28,
35, 41, 51, 61, 70, 89,
92-93
312-D, 8, 10, 18, 20, 28, 35,
41, 51, 61, 70, 89, 92-93
312-F, 8, 10, 18, 20, 28, 35,
41, 51, 61, 70, 89, 93
312-G, 89, 92-93
315-AC, 3, 13, 89, 93
630, 3, 13, 65
630-ST, 13
631, 65
632, 22, 24, 65
75000, 75
75001, 63, 71-72
75003, 3, 6, 13, 16, 63-65, 67
75004, 63, 73
75005, 63, 73
75006, 63, 73
75008, 63
75009, 63, 73
75010, 63, 73
75012, 63, 73
75018, 75
75027, 75
75028, 75
75029, 75
78102A, 21-24
78103A, 22, 24
78104A, 22, 24
78105A, 22, 24
78106A, 21-24
828N, 13
828R, 13
830N, 22, 24
830R, 22, 24
833N, 3
833R, 3
837N, 65
837R, 65
838N, 65
838R, 65
839N, 47, 57, 72
839R, 47, 57, 72
848R2, 22, 24
928-24, 22
938-SC, 1, 9, 11, 16, 19, 27,
63, 67, 69
941-215AC, 21, 26
941-215C-A, 1, 6, 11, 16, 63,
67
941-315AC, 26
941-415AC, 26
941-515AC, 26
941-615AC, 21, 26
941-C, 26
947, 3, 13, 65
952-24, 32, 38, 45, 55, 64, 92
952-ST/DIG-SVC, 2, 12, 79
952-SVC, 32, 38, 45, 55, 64,
78, 89, 92-93
986-ST, 4, 14, 25, 35, 41, 51,

61, 70
996, 9, 19, 29, 34, 40, 50, 60,
69

A

ACLEAN3, 97
ACLEAN4-NB, 97
ACLEAN4-WH, 97
APA0003, 4–6, 8, 14–16, 18,
25–26, 28, 33, 35, 39, 41,
49, 51, 59, 61, 66–67, 70,
82
APA0039, 5–6, 15–16, 26, 33,
39, 49, 59, 66–67
APA0065, 8, 18, 28
APK0004, 3, 65
APK0005, 3
APK0006, 1, 5, 9, 11, 15, 19,
34, 40, 50, 60, 63, 66, 69
APK0013, 82
APK0016, 81
APK0017, 80, 82
APK0018, 92
APK0019, 89, 93
APK0020, 91–92
APK0035, 82
APK0036, 84
APK0037, 84
APK0038, 8, 18, 23, 28
APK0039, 92
APK0040, 89, 93
APK0042, 88, 91
APK0052, 81
APK0053, 81
APK0054, 81
APS0008, 88, 91
APS17600, 22, 24

C

Cells, 5–6, 15–16, 21, 23,
26–27, 49, 59, 66–67, 82
COA1XXXXUUS, 80
COADN2PPC1SUS, 78
COB2XXXXUUS, 80
COBDIG2PPC4SUS, 79

COP-A, 78, 80–81
COP-B, 79–81

D

DIG-220, 1–3, 6, 13, 16, 65,
67, 79–80, 83
DIG-220CE, 1
DIG-220CE-GERMAN, 1
DN1, 31–32
DN2, 31–32, 78
DN2M, 31–32, 78
DNP2, 37–38
DNP2M, 37–38

E

ECP0063, 32, 38, 45, 55
ECP0123-SVC, 88, 91
ECP0124-SVC, 88, 91
ECS0002, 2, 12
ECS15634, 22, 24
ECS19150, 47, 57, 72
ECS19151, 47, 57, 72
ECS19152, 72
EN2, 87
EN2EU, 87

L

LBP0116, 2, 64
LBP0117, 71
LBP0135, 2, 12, 64, 71
LBP0154, 12

M

M100A6, 75
M101A6, 75
M102A6, 75
MSP0022, 97
MSP0030, 99
MSP0031, 99
MSP0032, 96
MSP0033, 96

P

Part #, 1, 5–6, 11, 15–16, 21,
23, 31, 33, 39, 49, 54, 59,
63, 66–67, 73, 75, 78–80,
87, 95, 99
Part #, 1, 5–6, 11, 15–16, 21,
23, 31, 33, 39, 49, 54, 59,
63, 66–67, 73, 75, 78–80,
87, 95, 99
Part #, 1, 5–6, 11, 15–16, 21,
23, 31, 33, 39, 49, 54, 59,
63, 66–67, 73, 75, 78–80,
87, 95, 99
Part #, 1, 5–6, 11, 15–16, 21,
23, 31, 33, 39, 49, 54, 59,
63, 66–67, 73, 75, 78–80,
87, 95, 99
Part #, 1, 5–6, 11, 15–16, 21,
23, 31, 33, 39, 49, 54, 59,
63, 66–67, 73, 75, 78–80,
87, 95, 99
PLA0035, 5, 15, 33, 39, 49, 59,
66
PLA0036, 5, 15, 33, 39, 49, 59,
66
PLA0044, 6, 16, 67
PLA0045, 6, 16, 67
PLA0046, 6, 16, 67
PLA0047A, 26
PLA0113, 10, 20, 29, 35, 41,
51, 61, 70
PLA0193, 5, 15, 33, 49, 59, 66
PLP0035, 74
PLP0062, 82
PLP0080, 92
PLS0001, 10, 20, 28, 35, 41,
51, 61, 70
PLS2627, 10, 20, 28, 35, 41,
51, 61, 70
PLS19096, 29
Plumbing, 89, 92–93
PPC1, 1, 5, 7, 11, 15, 17, 31,
33, 43–44, 49, 63, 66, 68,
78, 83, 87, 89, 92–93
PPC1NU, 7, 17, 68

PPC2, 37, 39, 53–54, 59
PPC3, 1, 5, 7, 11, 15, 17, 63,
66, 68, 83
PPC3NU, 7, 17, 68
PPC4, 1, 5, 7, 11, 15, 17, 63,
66, 68, 79, 83
PPC4NU, 7, 17, 68
PPC5, 1, 5, 7, 11, 15, 17, 27,
63, 66, 68, 83
PPC5BPCC25, 7, 17, 23, 27
PPC5MF, 6–7, 16–17, 26–27,
67–68
PPC5MLCC25, 68
PPC5NU, 7, 17, 27, 68
PPM1, 1, 5, 11, 15, 31, 33, 63,
66
PPM1, 1, 5, 11, 15, 31, 33, 63,
66
PPM1M, 1, 5, 11, 15, 31, 33,
43–44, 49, 63, 66
PPM3, 1, 5, 11, 15, 63, 66
PPM3M, 1, 5, 11, 15, 63, 66
PPM4, 1, 5, 11, 15, 63, 66
PPM4M, 1, 5, 11, 15, 63, 66
PPM5, 1, 5, 11, 15, 63, 66
PPM5M, 5, 11, 15, 63, 66
PRO2EU, 21
PRO2US, 21, 23
PRO2US-CONV, 23
PRO3EU, 21
PRO3US, 21, 23
PRO3US-CONV, 23
PRO4EU, 21
PRO4US, 21, 23
PRO4US-CONV, 23
PRO5EU, 21
PRO5US, 21, 23
PRO5US-CONV, 23
PRO6EU, 21
PRO6US, 21, 23
PRO6US-CONV, 23

STK0029, 3, 13
STK0031, 47, 57, 72
STK0032, 65
STK0035, 5, 15, 33, 39, 49,
59, 66
STK0048, 10, 20, 35, 41, 51,
61, 70, 83, 89, 92–93
STK0055, 73
STK0061B, 32
STK0065, 32, 45, 88, 91
STK0066, 32, 38
STK0071, 73–74
STK0088, 75
STK0090, 32
STK0093, 88, 91
STK0094, 88, 91
STK0095, 88, 91
STK0108, 71
STK0123A, 38
STK0124, 38, 55
STK0125, 38
STK0128A, 22, 24, 27
STK0128A-CONV, 24
STK0152, 65
STK0156, 32, 38, 45, 55
STK0159, 32, 38, 45, 55
STK0163, 32, 38, 45, 55
STK0188, 22, 24
STK0195, 88
STK0196, 32, 38, 88
STK0213, 22, 24
STK0216, 22, 24
STK0223, 3, 13
STK0224, 5–6, 15–16, 26, 33,
39, 49, 59, 66–67, 82, 86
STK0240, 86
STK0241, 32
STK0242, 38

X

XVAC, 99

S

ST-220, 3, 6, 11–13, 16, 65, 67
ST-220CE, 11