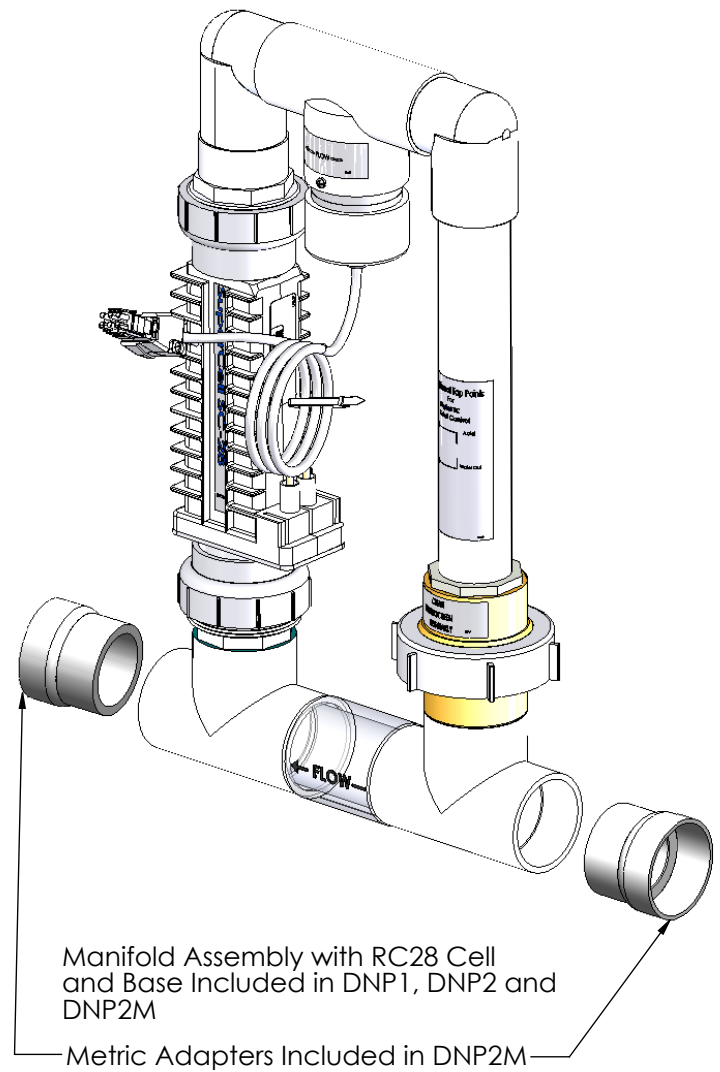
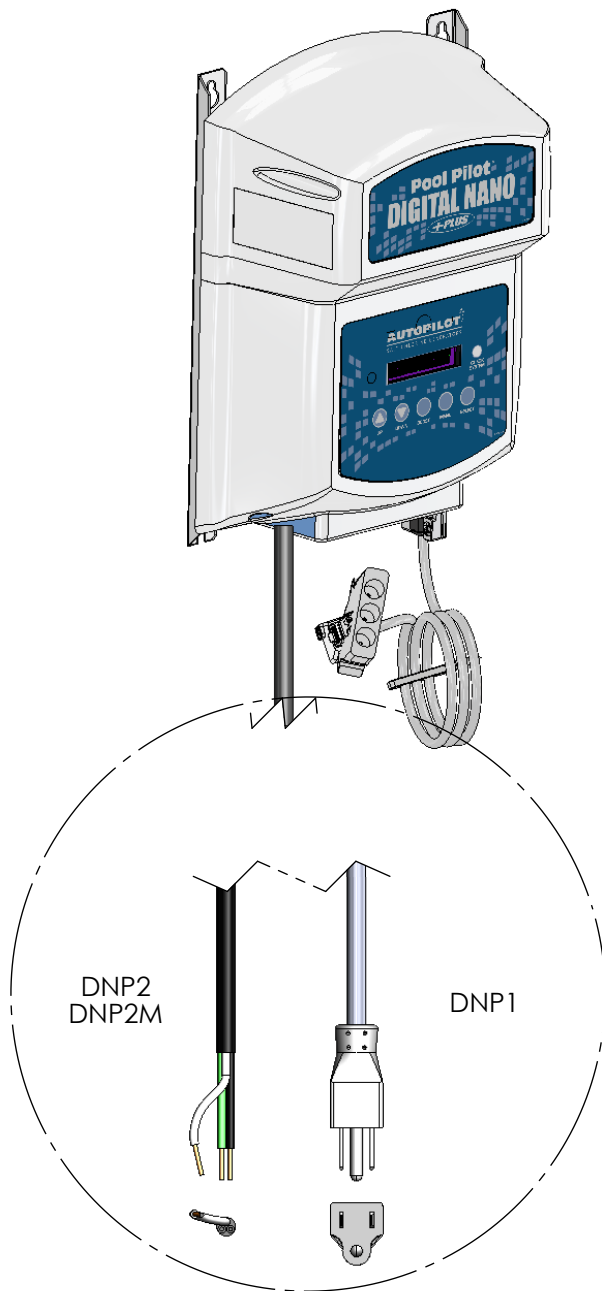


DIGITAL NANO⁺ SYSTEMS

Digital Nano⁺

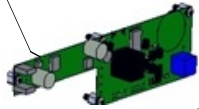


PART #	DESCRIPTION
DNP1	Digital Nano ⁺ , 115V with 94106 Manifold, Eng, Esp, Fra, Ger, Ita, Ces Languages
DNP2	Digital Nano ⁺ , 220V with 94106 Manifold, Eng, Esp, Fra, Ger, Ita, Ces Languages
DNP2M	Digital Nano ⁺ , 220V with 94106M Manifold, Eng, Esp, Fra, Ger, Ita, Ces Languages

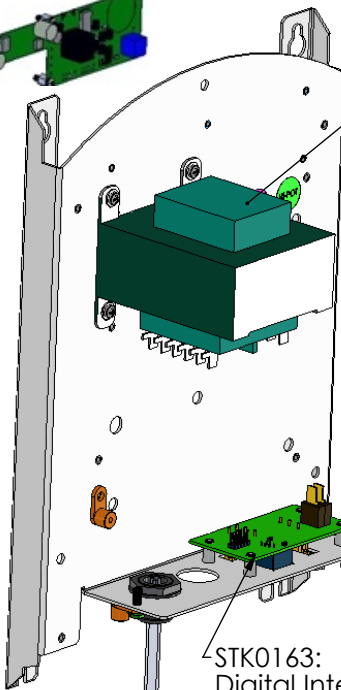
DIGITAL NANO⁺ SYSTEMS

Power Supply Parts

STK0156:
Kit for Nano Expansion Board:
See pg. 48 for parts breakdown

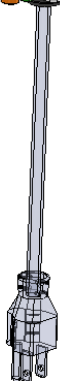


STK0124:
Nano⁺ Transformer
Replacement
with Mounting Screws



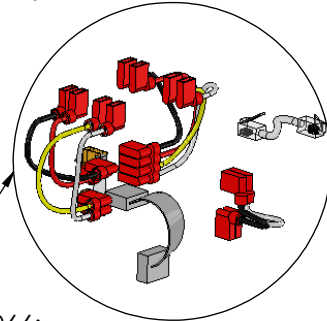
STK0123A:
Nano⁺ Power Supply
Board Replacement
Includes:
*CBA0001H Main Board Assy with 2 Amp Fuse
15619 Fuse 2 A, 3AG, 250VAC (Installed-use for 110V)
15611 Fuse 1 A, 3AG, 250VAC (Spare-use for 220V)
*15486 HDW Screw #6-32 x 5/16 (4)
STK0066 Nano/Nano⁺ Wire and Cable Replacement

STK0163:
Digital Interface
Board
(841-3A)



15619:
(Use for 110V) Fuse 2A,3AG,250VAC
or
15611:
(Use for 220V) Fuse 1A,3AG,250VAC

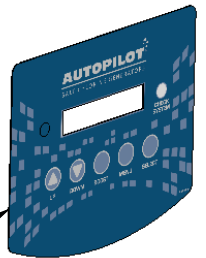
STK0159:
Nano/Nano⁺ Display PC Board
Replacement Kit
Includes:
*841-2C Nano Display
ECP0063 Modular Cable 12"



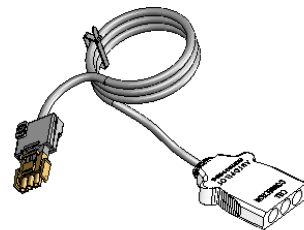
STK0066:
Nano/Nano⁺ Wire and Cable Replacement Kit
Includes:
*04AK1800404 Wire Assy 18 AWG, UL1007 Black (2)
*04AW1800404 Wire Assy 18 AWG, UL1007 White (2)
*04AR1800404 Wire Assy 18 AWG, UL1007 Red (2)
*04AY1800404 Wire Assy 18 AWG, UL1007 Yellow (2)
*20007 Ribbon Cable 10 CCT (1)
ECP0063 Modular Cable 12" (1)



STK0125:
Nano⁺ Cover Replacement Kit
Includes:
*PCP0150 Molded Cover for Nano
*LBP0109 Label, Nano Cover Control
*LBP0237 Label, Nano⁺ Top Cover
*GKP0013 O-Ring Cord 3.5mm
*15403 HDW Screw #6-32 x 3/4 (4)
*GKP0111 O-Ring B1000-006 (4)



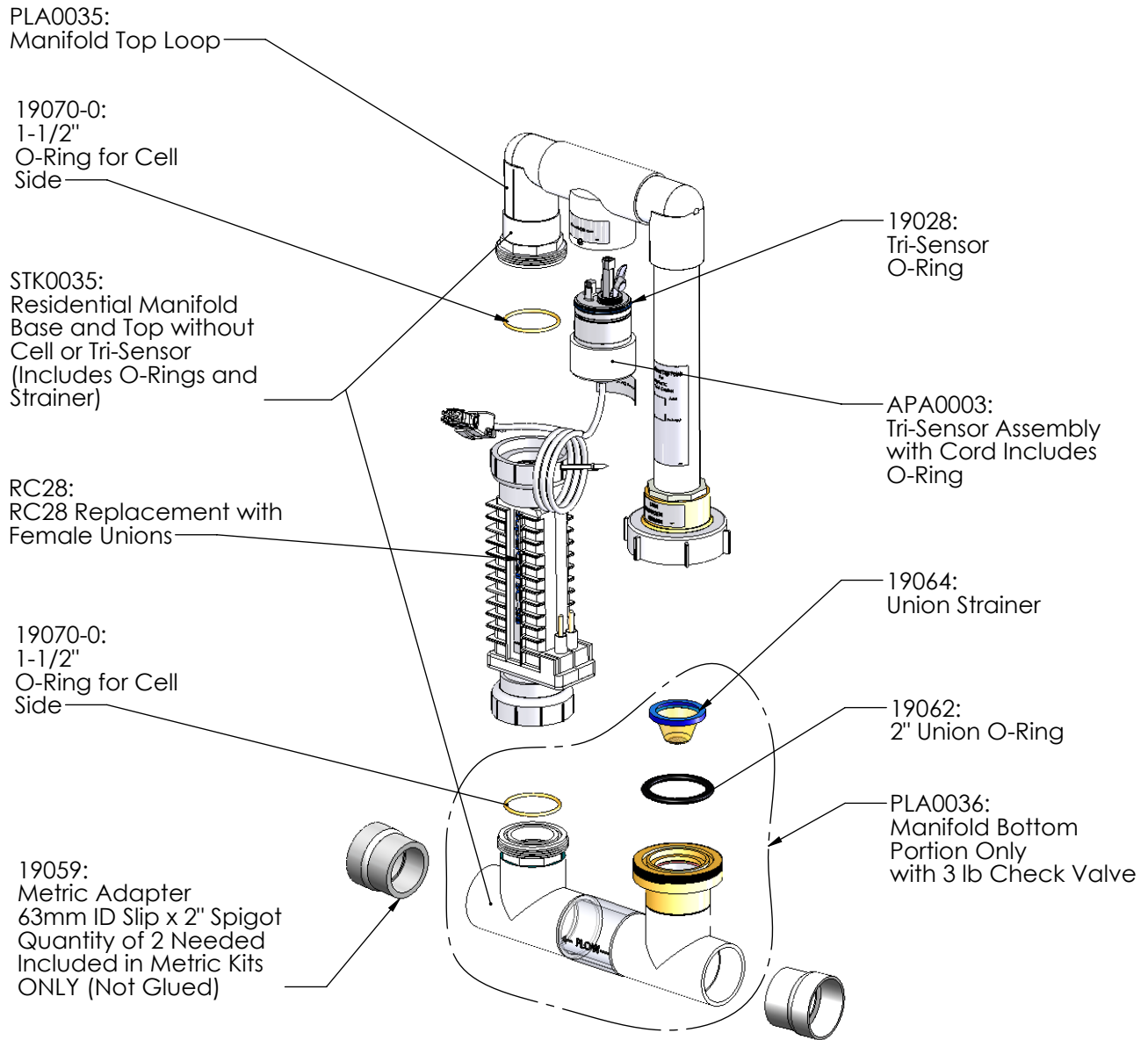
19050:
Red Protective Cap



952:
Cell Cord 12 ft with 3 Pin
MATE-N-LOK Connector
Included with DNP1, DNP2 and DNP2M
or
952-24:
Cell Cord 24 ft

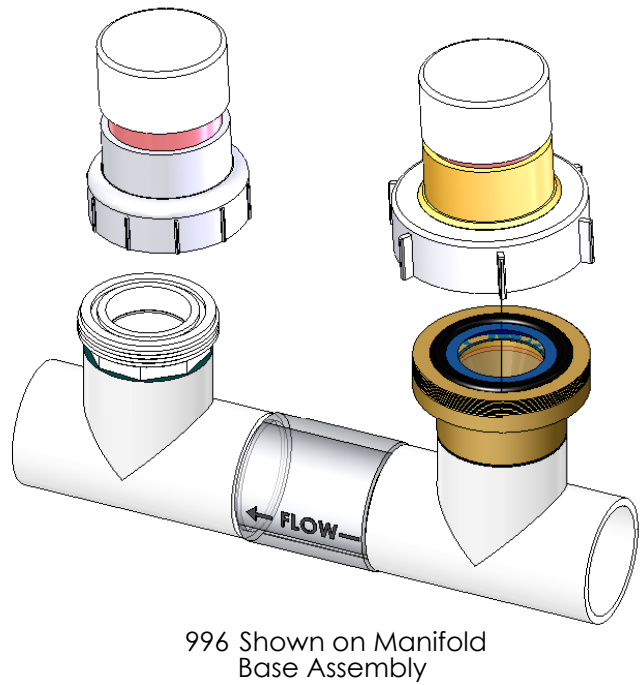
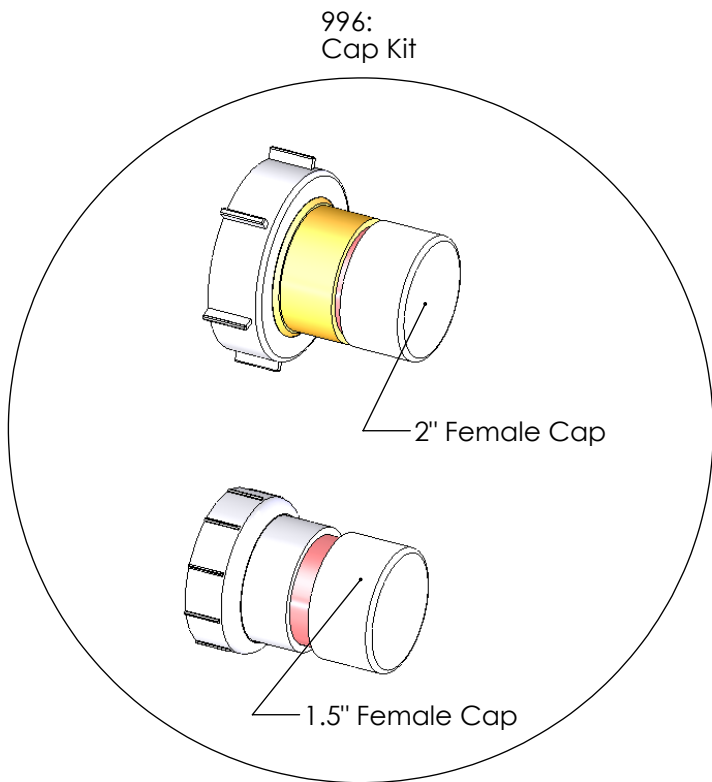
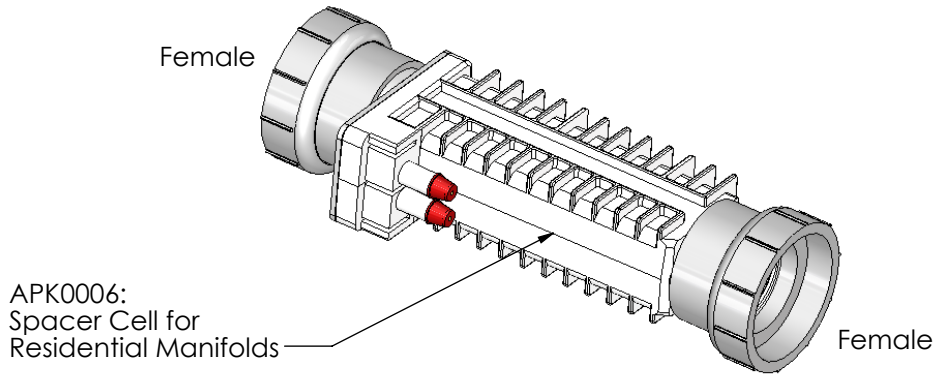
*Cannot be ordered separately

SINGLE SYSTEM MANIFOLDS

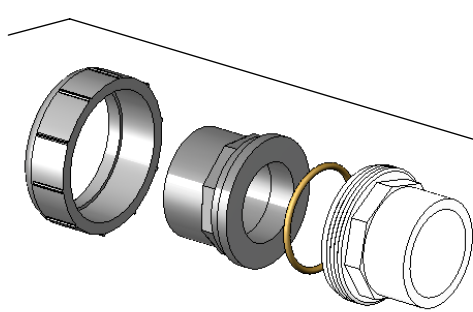


PART #	DESCRIPTION
94106	Manifold Assy with RC28 Cell
94106M	Manifold Assy with RC28 Cell and Metric Adapters

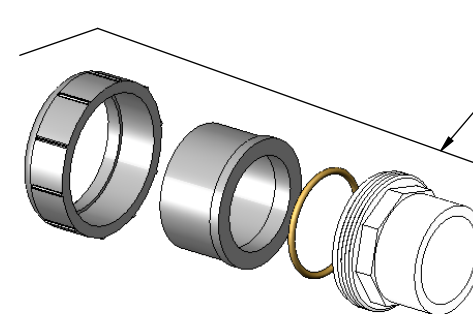
Digital Nano⁺ MANIFOLD ACCESSORIES/TOOLS



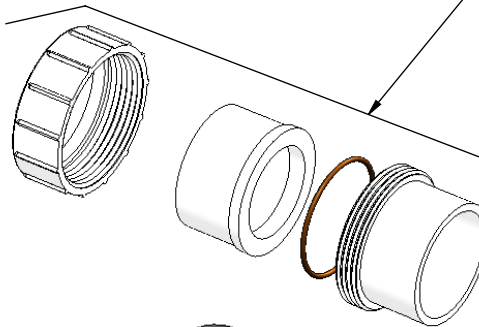
MANIFOLD ACCESSORIES/TOOLS Digital Nano⁺



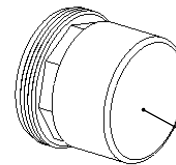
19073:
Union Kit
Includes:
312-A Union Nut
312-F Union Half, 2" Spigot/1.5" Slip X Female Union
19070-0 1-1/2" O-Ring
312-C Union Half, 1.5" Slip/2" Spigot x Male Thread Union



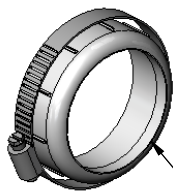
19070:
Union Kit
Includes:
312-A Union Nut
312-B Union Half, 2" Slip x Female Union
19070-0 1-1/2" O-Ring
312-C Union Half, 1.5" Slip/2" Spigot x Male Thread Union



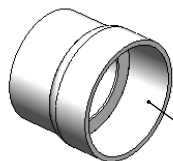
PLS2627:
Union Kit
Includes:
312-A Union Nut
312-B Union Half, 2" Slip x Female Union
312-D Union Half, 2" Slip x Male Thread Union (with O-Ring 19069-0)
or
PLS0001:
Union Pack of 10 PLS2627



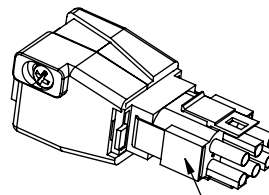
PLA0113:
Cell Cleaning
Kit (Male)



STK0048:
Cracked Union Nut
Service Kit



19059:
Metric Adapter
63mm ID Slip x 2" Spigot
Quantity of 2 Needed
Included in Metric Kits
ONLY (Not Glued)



986-ST:
Tri-Sensor Simulator
(Simulates APA0003)