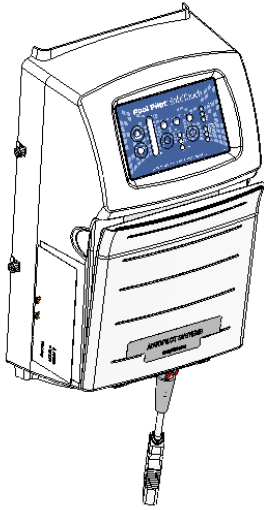
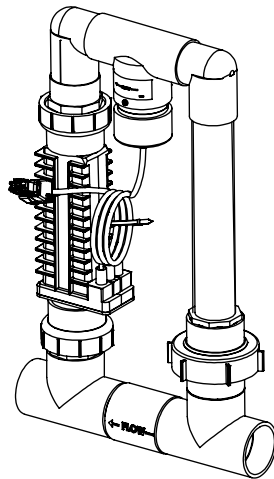


# ST-220

Soft Touch



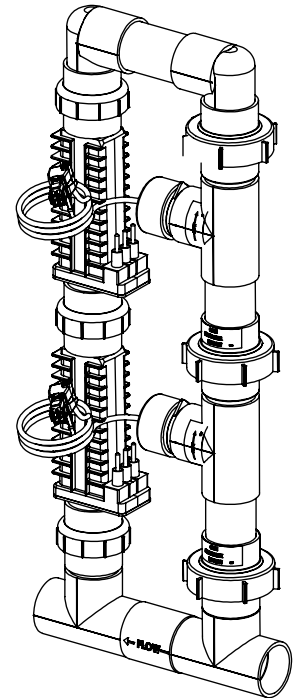
ST-220



Single System Manifold

### Power Supply

PART #	DESCRIPTION
ST-220	Soft Touch Power Supply
ST-220CE	Digital Power Supply CE Version



Dual System Manifold

### Single System Manifold Types

PART #	DESCRIPTION	PAGE #
94105	Manifold Assy with RC35/22 Cell	15
94107	Manifold Assy with RC42 Cell	15
94113	Manifold Assy with RC52 Cell	15
94115C	Manifold Assy with CC15-FF Cell	15
94105M	Manifold Assy with RC35/22 Cell and Metric Adapters	15
94107M	Manifold Assy with RC42 Cell and Metric Adapters	15
94113M	Manifold Assy with RC52 Cell and Metric Adapters	15
94115CM	Manifold Assy with CC15 Cell and Metric Adapters	15
APK0006	Spacer Cell for Maintenance	19

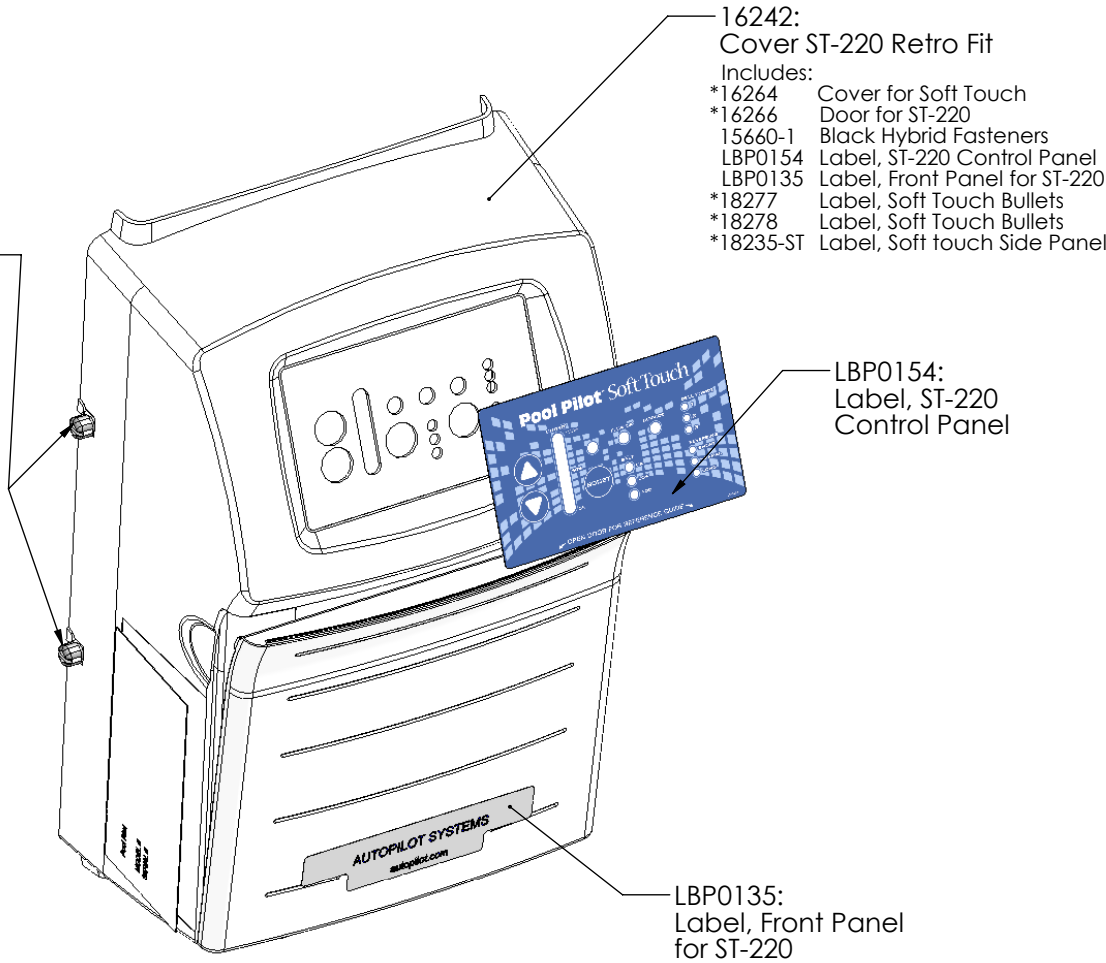
### Dual System Manifold Types

PART #	DESCRIPTION	PAGE #
941-215C-A	Manifold Commercial	16
938-SC	Spacer Cell	19

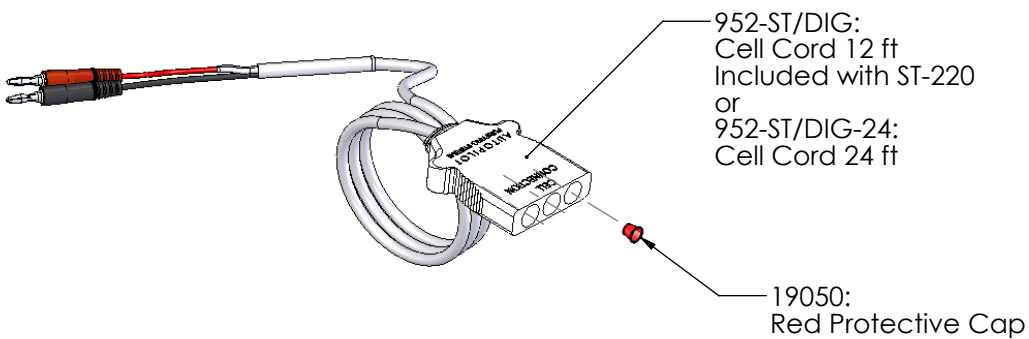
Soft Touch

# ST-220 Power Supply Parts

15660-1:  
Thumbscrews  
(4)



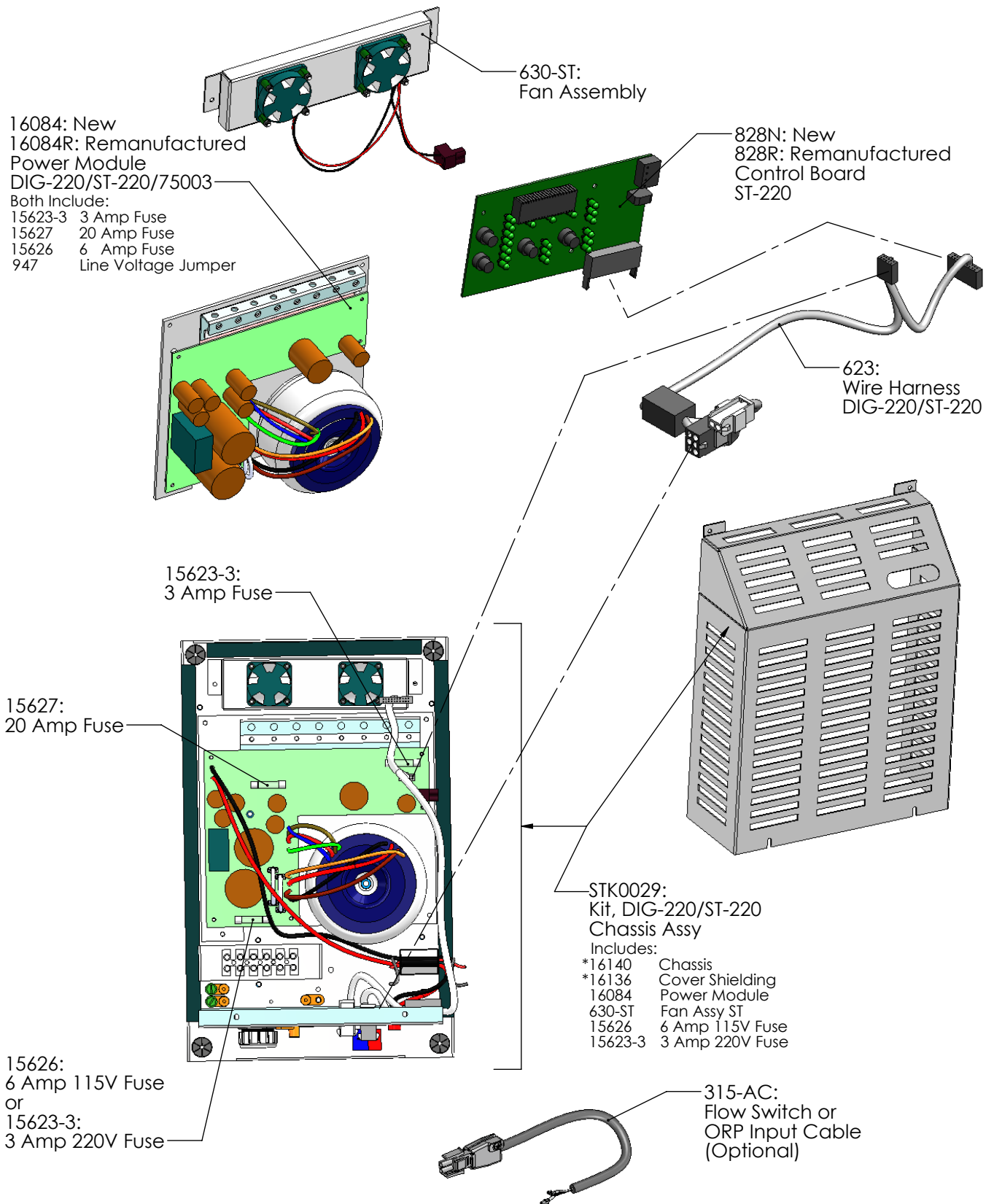
- 16242: Cover ST-220 Retro Fit
- Includes:
  - \*16264 Cover for Soft Touch
  - \*16266 Door for ST-220
  - 15660-1 Black Hybrid Fasteners
  - LBP0154 Label, ST-220 Control Panel
  - LBP0135 Label, Front Panel for ST-220
  - \*18277 Label, Soft Touch Bullets
  - \*18278 Label, Soft Touch Bullets
  - \*18235-ST Label, Soft touch Side Panel



\*Cannot be ordered separately

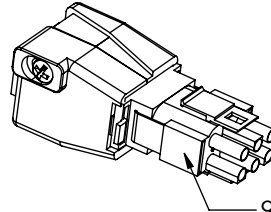
# ST-220 Power Supply Parts

Soft Touch

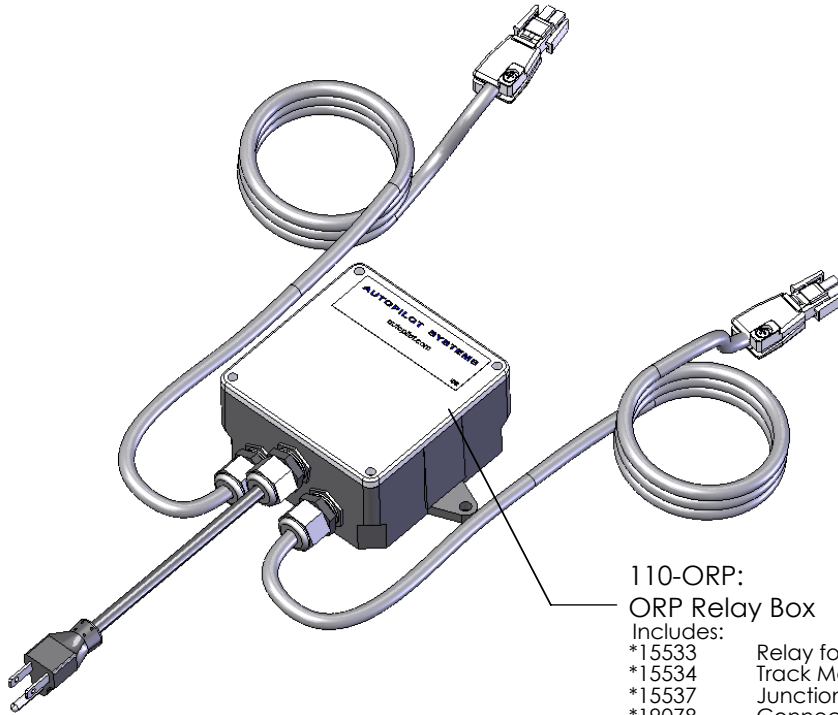


\*Cannot be ordered separately

# POWER SUPPLY ACCESSORIES



986-ST:  
Tri-Sensor Simulator  
(Simulates APA0003)



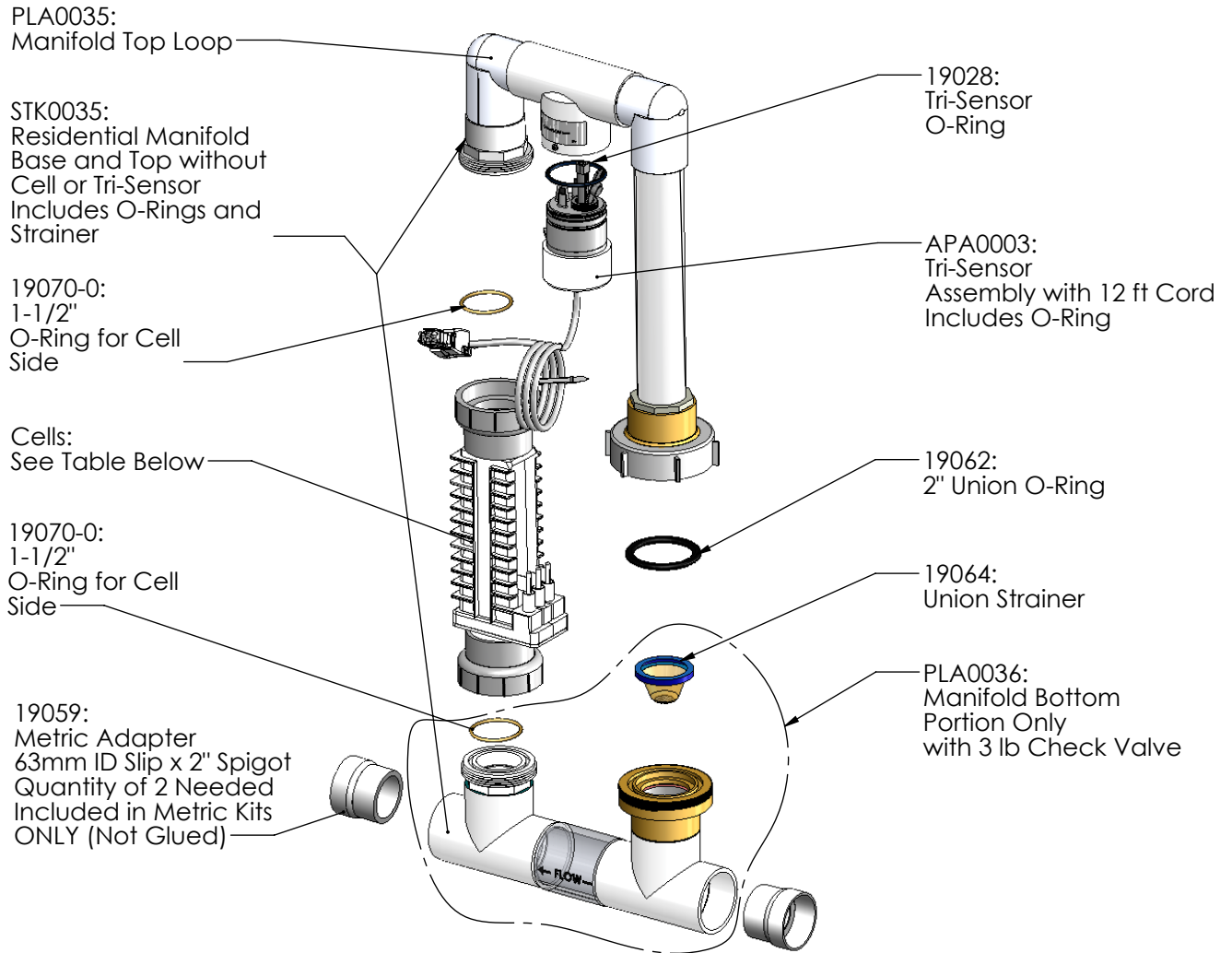
110-ORP:  
ORP Relay Box

- Includes:
- \*15533 Relay for ORP
  - \*15534 Track Mount Socket
  - \*15537 Junction Box 4x4x2
  - \*19078 Connector Cable Clamp
  - \*19078N Nut for Cable Clamp
  - \*ECA0085 Flow Switch Cable Assy (12 ft),2X
  - \*17220 Cord 110V #16 AWG (6 ft)
  - \*15402-1 Screw(s) #6-32 x 1/4 PPMS SS
  - \*ECP0069 Cable Clamp

\*Cannot be ordered separately

# SINGLE SYSTEM MANIFOLDS

Soft Touch

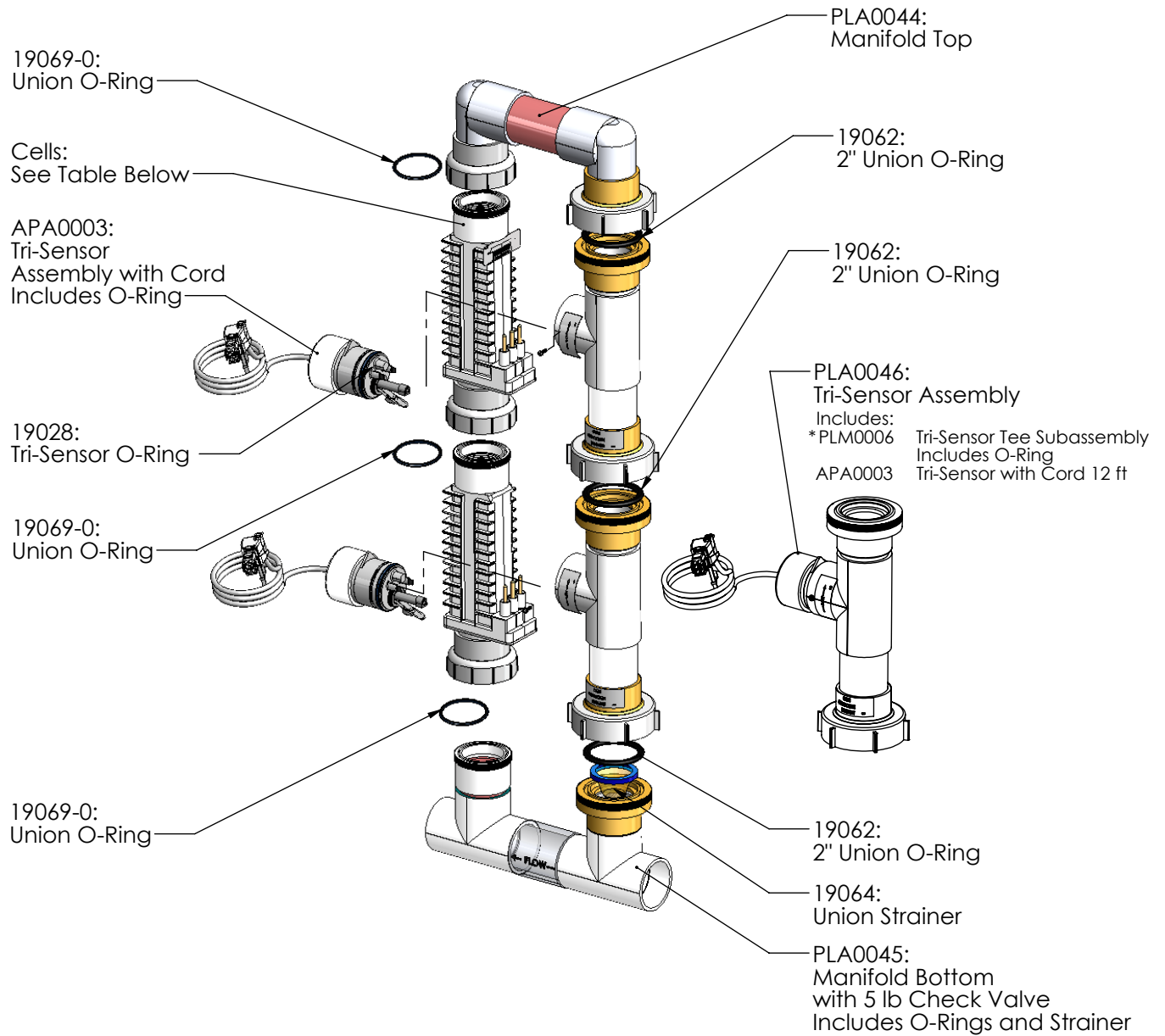


PART #	DESCRIPTION	PAGE #
94105	Manifold Assy with RC35/22 Cell	17
94107	Manifold Assy with RC42 Cell	17
94113	Manifold Assy with RC52 Cell	17
94115C	Manifold Assy with CC15-FF Cell	17
94105M	Manifold Assy with RC35/22 Cell and Metric Adapters	17
94107M	Manifold Assy with RC42 Cell and Metric Adapters	17
94113M	Manifold Assy with RC52 Cell and Metric Adapters	17
94115CM	Manifold Assy with CC15 Cell and Metric Adapters	17
APK0006	Spacer Cell for Maintenance	19

Soft Touch

# MULTIPLE SYSTEM MANIFOLD

## For Use With Dual Power Supply Systems

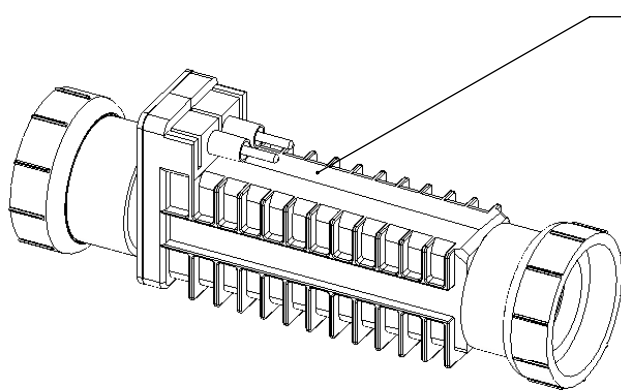


PART #	DESCRIPTION	PAGE #
941-215C-A	Manifold Commercial with 2 CC15-MF Cells	17
938-SC	Spacer Cell for Maintenance	19
To convert from dual to triple system, add PLA0046, CC15-MF and Power Supply of choice, ST-220/DIG-220/75003, typically ST-220 is used.		

\*Cannot be ordered separately

# CELL OPTIONS

Soft Touch



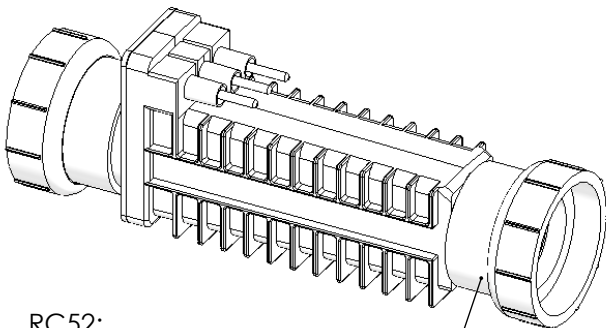
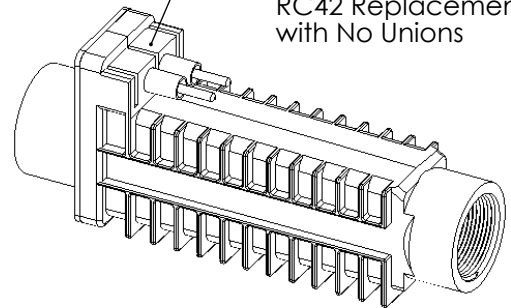
RC35/22:  
RC35/22 Replacement Cell with Female Unions

RC42:  
RC42 Replacement Cell with Female Unions

SSC17:  
Single Season Cell with  
Female Unions

RC35/22-NU:  
RC35/22 Replacement Cell  
with No Unions

RC42-NU:  
RC42 Replacement Cell  
with No Unions

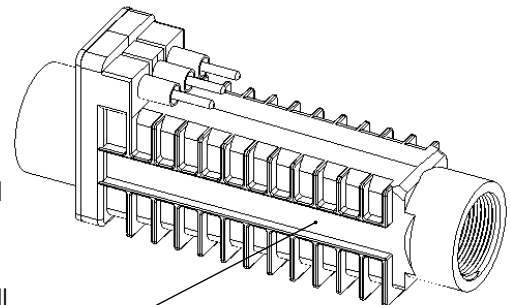


RC52:  
RC52 Replacement Cell  
with Female Unions

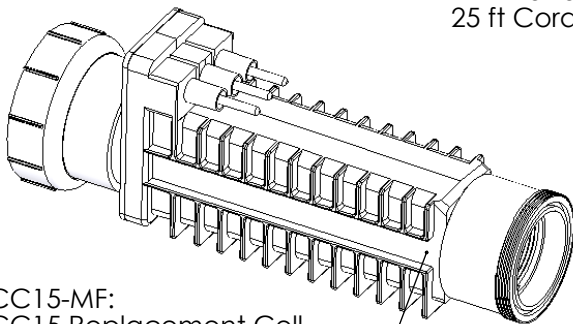
CC15-FF:  
CC15 Replacement Cell  
with Female Unions  
(Commercial)  
for Single Cell Manifold

RC52-NU:  
RC52 Replacement Cell  
with No Unions

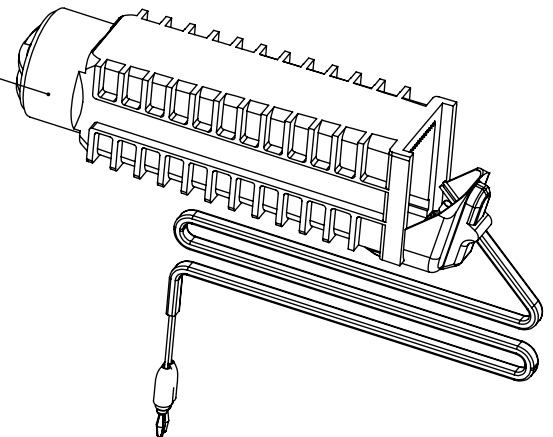
CC15-NU:  
CC15 Replacement Cell  
with No Unions (Commercial)



CC15-BP-CC25:  
CC15 Replacement Cell Convection  
with Banana Plugs  
25 ft Cord



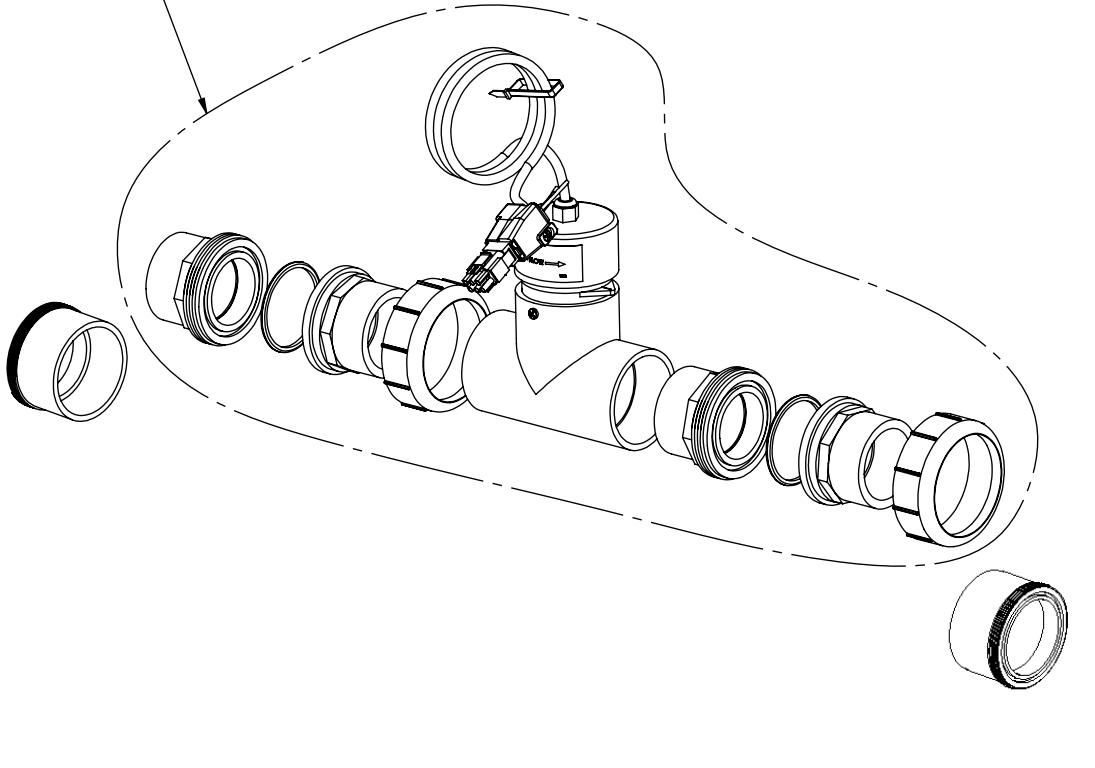
CC15-MF:  
CC15 Replacement Cell  
Male/Female Unions  
(Commercial)  
for Multiple Cell Manifold  
Includes O-Ring



# Soft Touch MANIFOLD ACCESSORIES/TOOLS

## APK0038: Tri-Sensor Assy for Convection Cell Applications

- Includes:
- 19009 2" T Slip x Slip x Slip
  - 312-A Union Nut
  - 312-F 2" Spigot/1.5" Slip X Female Union
  - 312-C Union Half, 1.5" Slip/2" Spigot x Male Thread Union
  - \*15405 HDW Screw #6x1/2 PPSMS SS
  - APA0003 Tri-Sensor with Cord Assy 12 ft



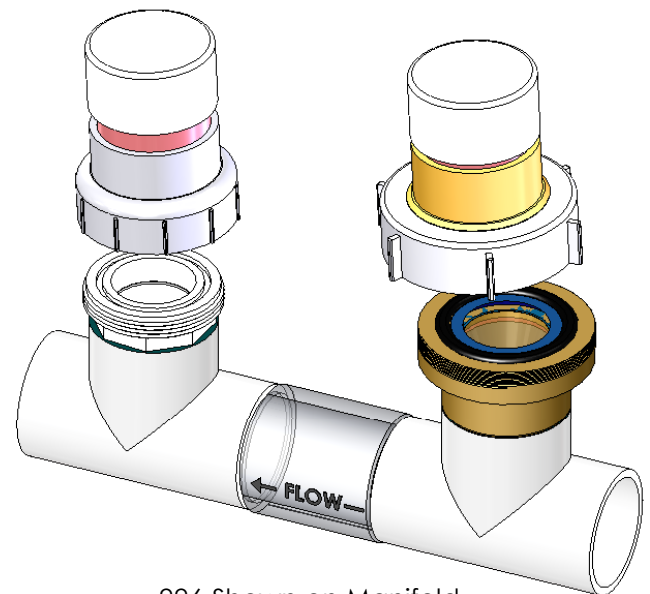
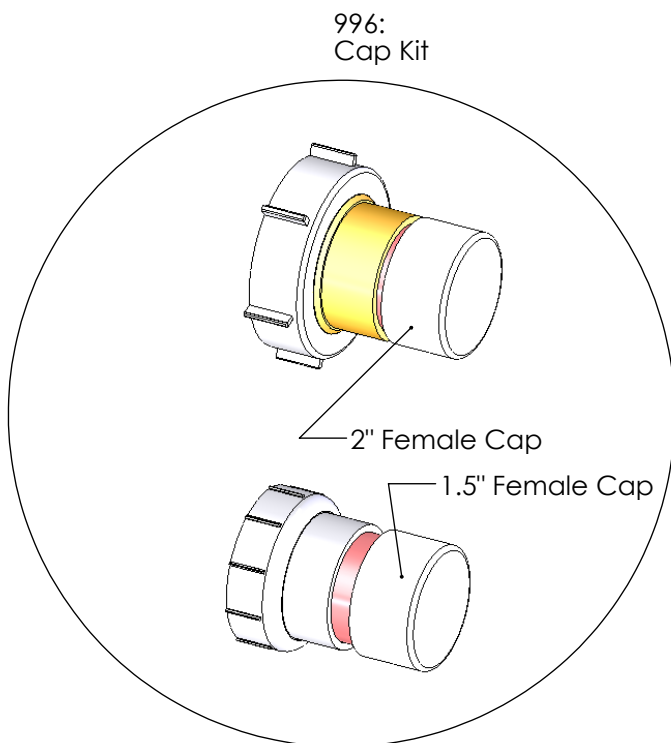
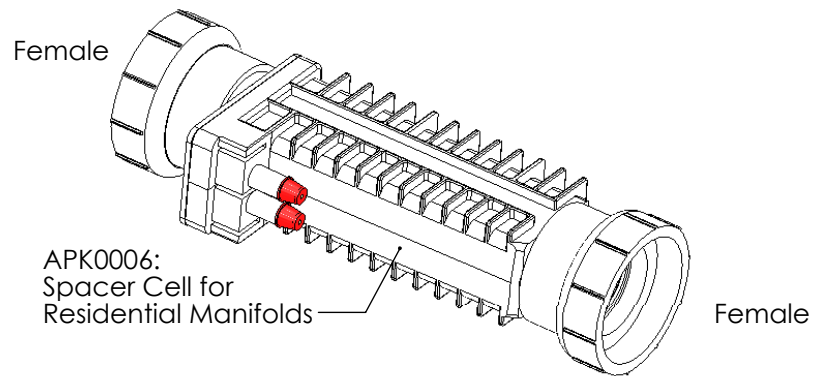
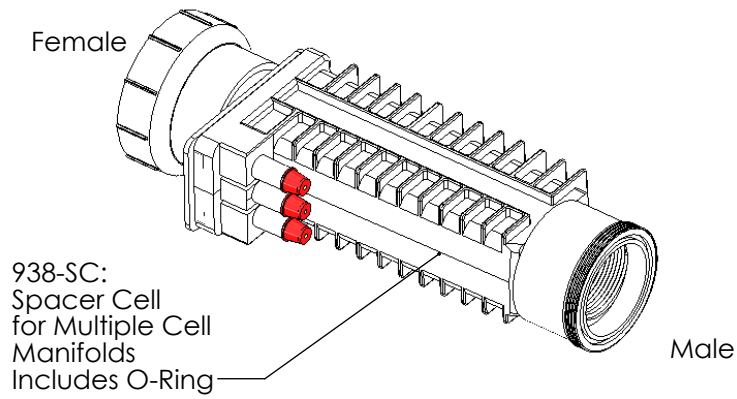
## APA0065: Inline Conversion Kit Same as APK0038 Kit above but with additional two 312-D Union Halves, 2 S x MT Union

\*Cannot be ordered separately

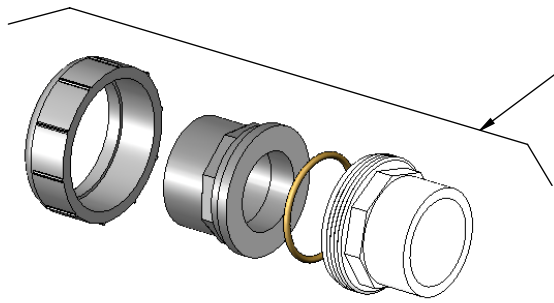


# MANIFOLD ACCESSORIES/TOOLS

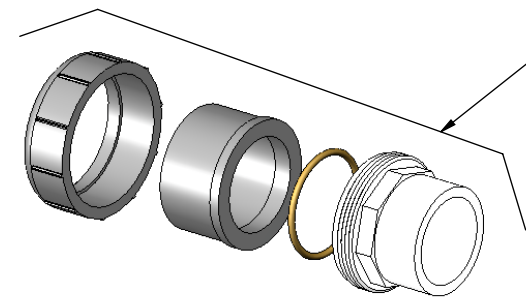
Soft Touch



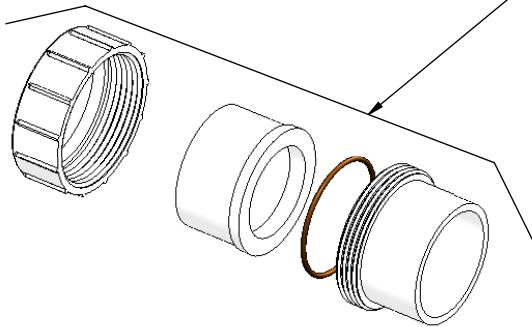
# MANIFOLD ACCESSORIES/TOOLS



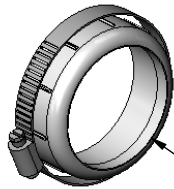
19073:  
 Union Kit  
 Includes:  
 312-A Union Nut  
 312-F Union Half, 2" Spigot/1.5" Slip X Female Union  
 19070-0 1-1/2" O-Ring  
 312-C Union Half, 1.5" Slip/2" Spigot x Male Thread Union



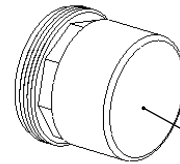
19070:  
 Union Kit  
 Includes:  
 312-A Union Nut  
 312-B Union Half, 2" Slip x Female Union  
 19070-0 1-1/2" O-Ring  
 312-C Union Half, 1.5" Slip/2" Spigot x Male Thread Union



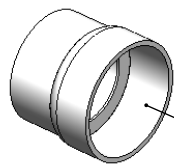
PLS2627:  
 Union Kit  
 Includes:  
 312-A Union Nut  
 312-B Union Half, 2" Slip x Female Union  
 312-D Union Half, 2" Slip x Male Thread Union  
 (with O-Ring 19069-0)  
 or  
 PLS0001:  
 Union Kit-Pack of 10 PLS2627



STK0048:  
 Cracked Union Nut  
 Service Kit



PLA0113:  
 Cell Cleaning  
 Kit (Male)



19059:  
 Metric Adapter  
 63mm ID Slip x 2" Spigot  
 Quantity of 2 Needed  
 Included in Metric Kits  
 ONLY (Not Glued)