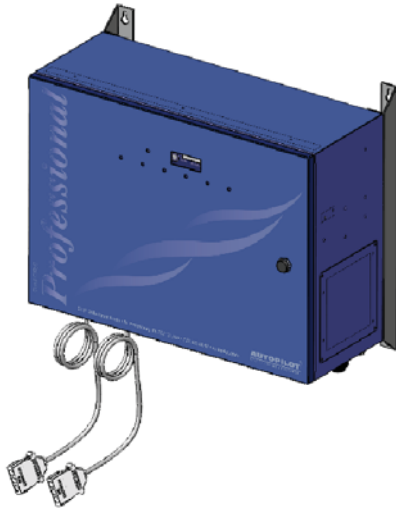
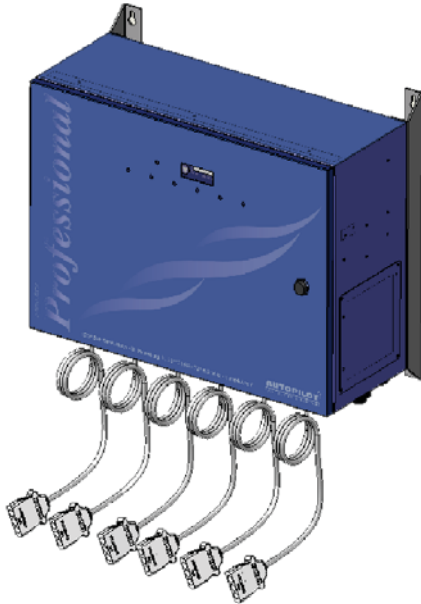
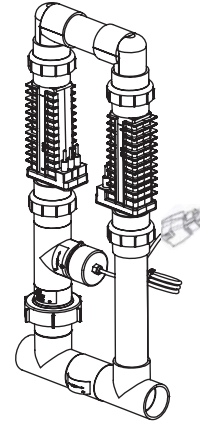


POOL PILOT® PROFESSIONAL

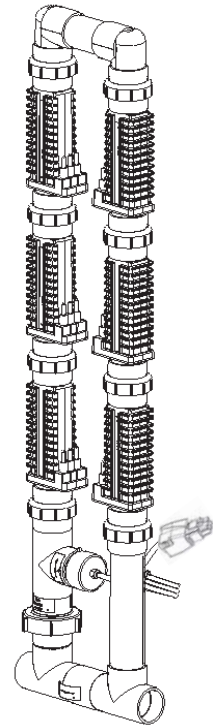
Professional



PRO2US:
Professional System
Includes:
78102A Professional Unit with 2 Power Modules
941-215AC Professional Manifold 2-Cells



PRO6US:
Professional System
Includes:
78106A Professional Unit with 6 Power Modules
941-615AC Professional Manifold 6-Cells



Complete Systems

PART #	DESCRIPTION
PRO2US	Professional with 2 Power Modules & 2 Comm. Cell Manifold
PRO3US	Professional with 3 Power Modules & 3 Comm. Cell Manifold
PRO4US	Professional with 4 Power Modules & 4 Comm. Cell Manifold
PRO5US	Professional with 5 Power Modules & 5 Comm. Cell Manifold
PRO6US	Professional with 6 Power Modules & 6 Comm. Cell Manifold
PRO2EU	CE Professional with 2 Power Modules & 2 Comm. Cell Manifold
PRO3EU	CE Professional with 3 Power Modules & 3 Comm. Cell Manifold
PRO4EU	CE Professional with 4 Power Modules & 4 Comm. Cell Manifold
PRO5EU	CE Professional with 5 Power Modules & 5 Comm. Cell Manifold
PRO6EU	CE Professional with 6 Power Modules & 6 Comm. Cell Manifold

Professional POOL PILOT® PROFESSIONAL (PPP) Power Supply Parts For 78102A - 78106A (78102A Shown)

78102A:
2 Cell Professional
Power Supply

78103A:
3 Cell Professional
Power Supply

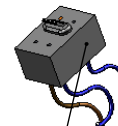
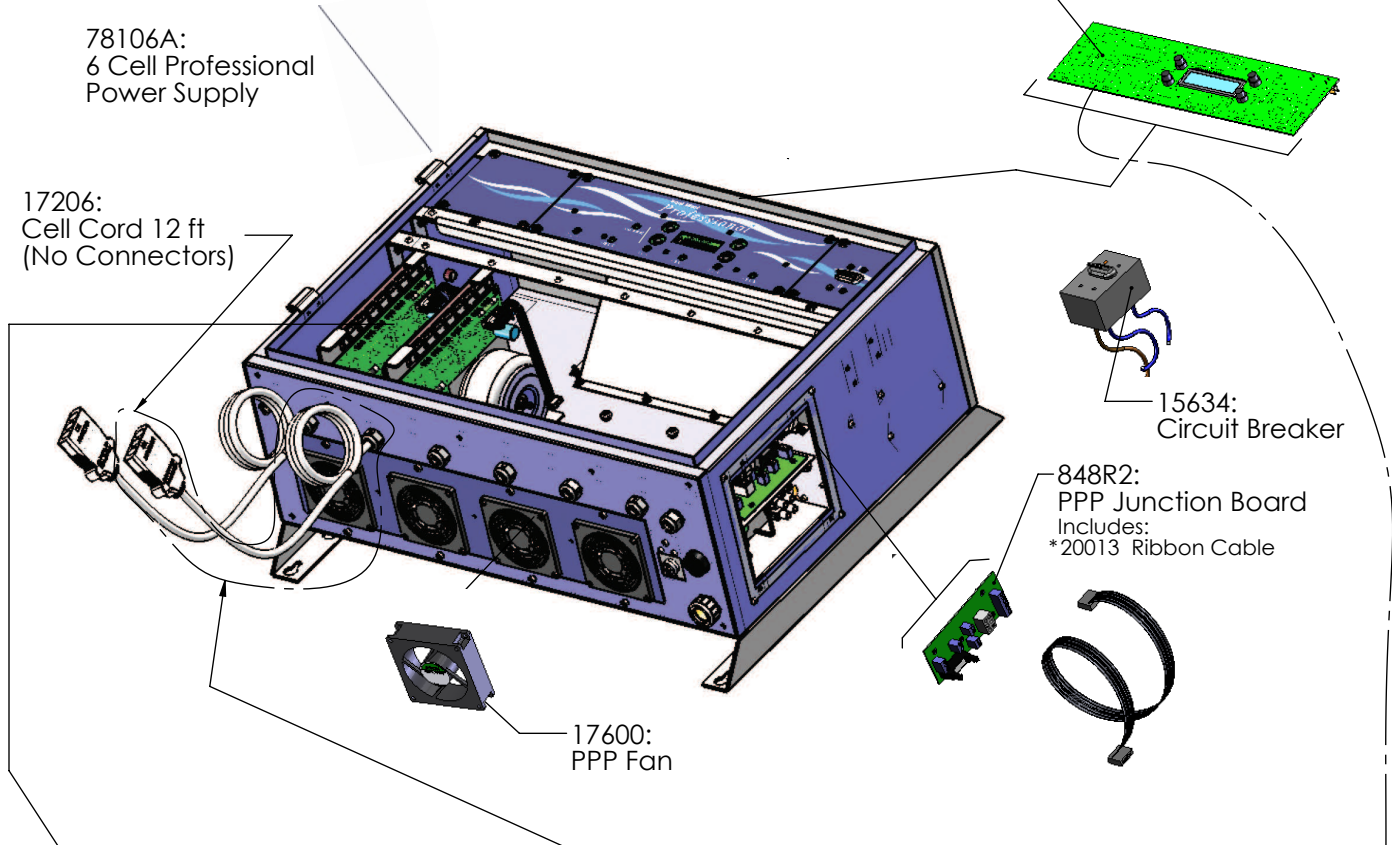
830N: New
830R: Remanufactured
Electronic Control Board
Pool Pilot Professional

78104A:
4 Cell Professional
Power Supply

78105A:
5 Cell Professional
Power Supply

78106A:
6 Cell Professional
Power Supply

17206:
Cell Cord 12 ft
(No Connectors)

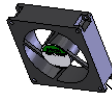


15634:
Circuit Breaker

848R2:
PPP Junction Board
Includes:
*20013 Ribbon Cable



17600:
PPP Fan

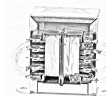
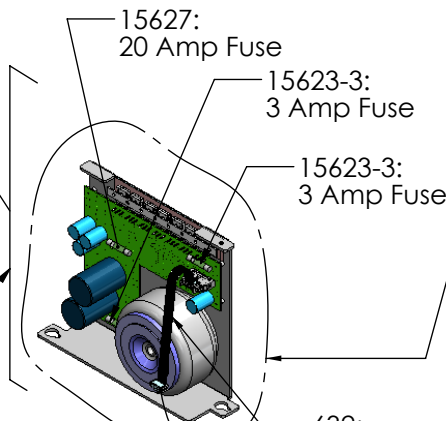


STK0128A:
Expansion Kit- 2016 Power Module
with Ribbon and Cell Cables

Includes:
16081A Power Module
632 Ribbon Cable
17206 Cell Cord Assy

(Note: Each Power Supply can be
expanded to six (6) power modules.
Cell must be ordered separately, see
pg. 29)

16081A: New
16081AR: Remanufactured
Power Module
Pool Pilot® Professional



STK0188:
PPP Transformer Kit
Includes:
17407 Transformer 20V
*17010-S Wire, 18 AWG

* Cannot be ordered separately

POOL PILOT® PROFESSIONAL (PPP) Professional

Power Supply Parts For 78102-78106 (78102 Shown)

**78102:
2 Cell Professional
Power Supply

**78103:
3 Cell Professional
Power Supply

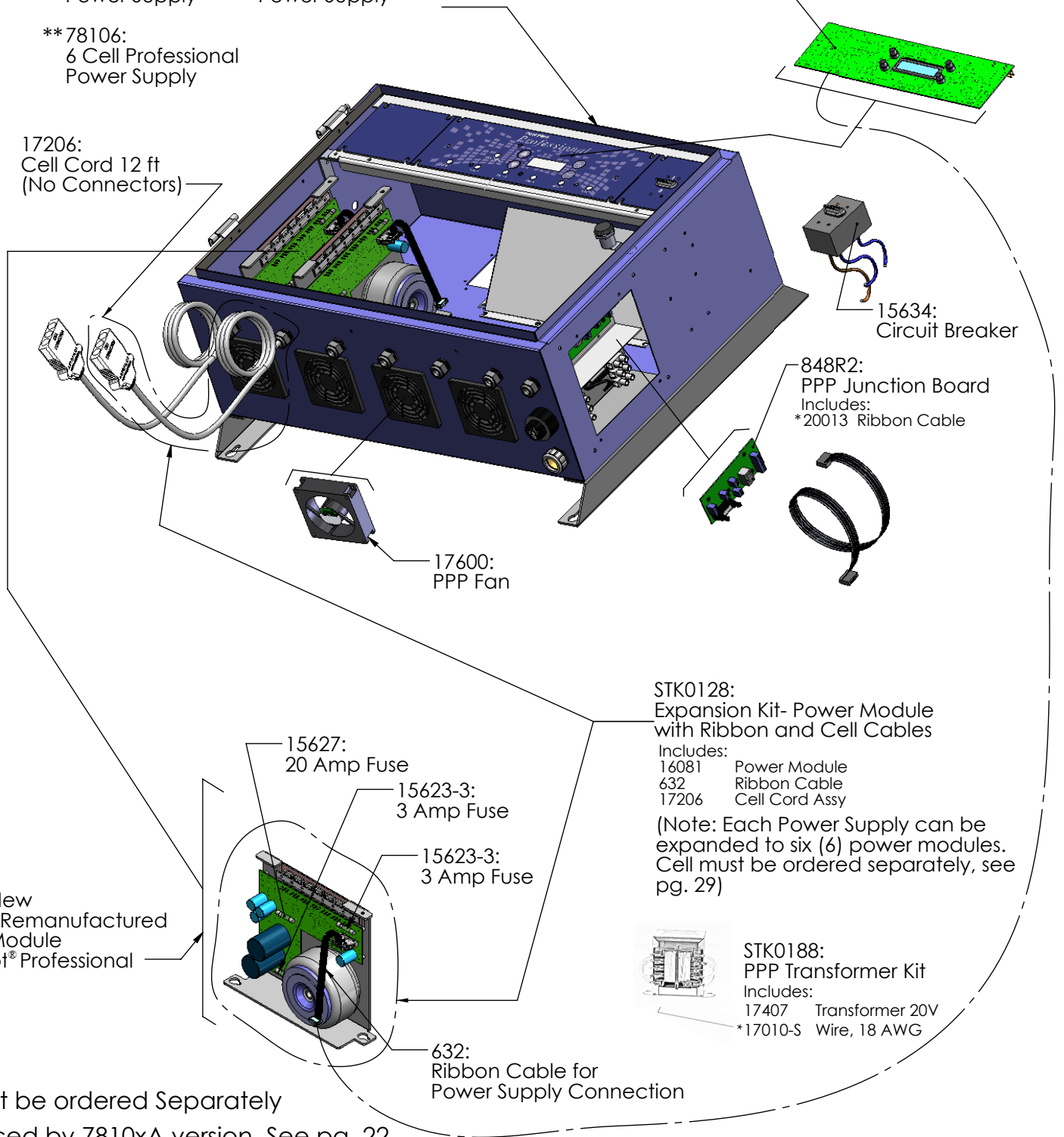
**78104:
4 Cell Professional
Power Supply

**78105:
5 Cell Professional
Power Supply

**78106:
6 Cell Professional
Power Supply

830N: New
830R: Remanufactured
Electronic Control Board
Pool Pilot Professional

17206:
Cell Cord 12 ft
(No Connectors)



15634:
Circuit Breaker

848R2:
PPP Junction Board
Includes:
*20013 Ribbon Cable

17600:
PPP Fan

STK0128:
Expansion Kit- Power Module
with Ribbon and Cell Cables
Includes:
16081 Power Module
632 Ribbon Cable
17206 Cell Cord Assy

(Note: Each Power Supply can be expanded to six (6) power modules. Cell must be ordered separately, see pg. 29)

16081: New
16081R: Remanufactured
Power Module
Pool Pilot® Professional

15627:
20 Amp Fuse

15623-3:
3 Amp Fuse

15623-3:
3 Amp Fuse

632:
Ribbon Cable for
Power Supply Connection

STK0188:
PPP Transformer Kit
Includes:
17407 Transformer 20V
*17010-S Wire, 18 AWG

*Cannot be ordered Separately

**Replaced by 7810xA version. See pg. 22

Professional

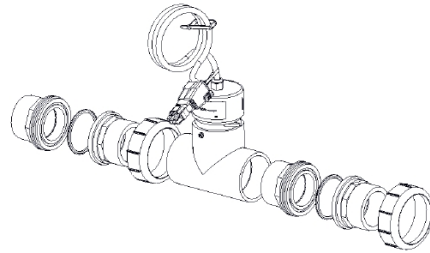
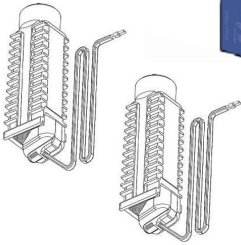
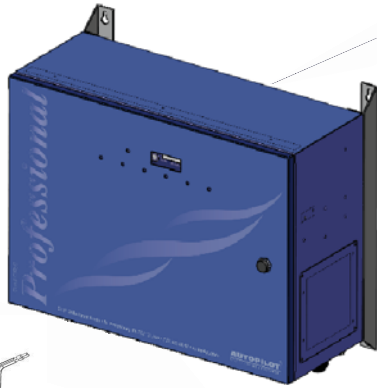
POOL PILOT® PROFESSIONAL CONVECTION SYSTEM

PRO2US-CONV:

Professional System

Includes:

- 78102A-CONV Professional Unit with (2) Power Modules
- CC-BP-CC25 (2) Commercial Convection Cells
- APA0038 Tri-Sensor Assy for Convection Cell

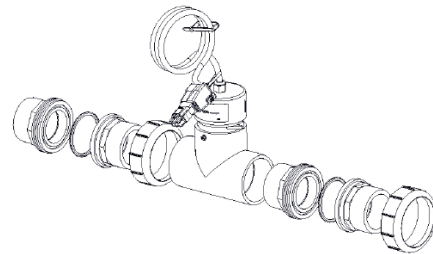
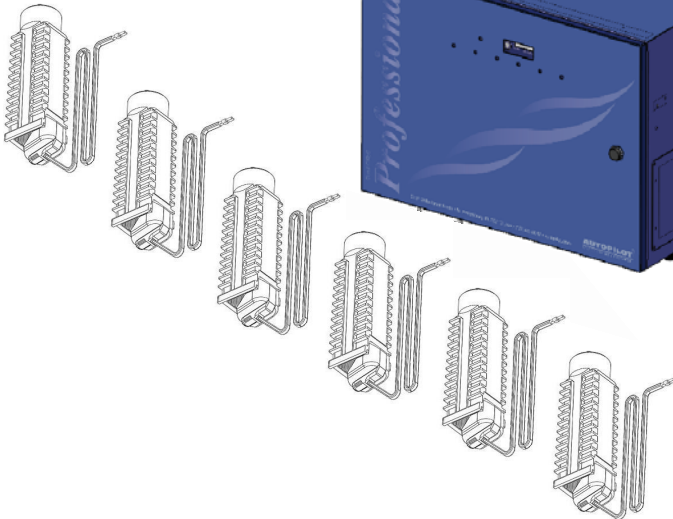
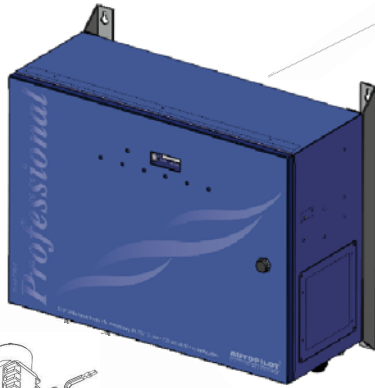


PRO6US-CONV:

Professional System

Includes:

- 78106A-CONV Professional Unit with (6) Power Modules
- CC-BP-CC25 (6) Commercial Convection
- APA0038 Tri-Sensor Assy for Convection Cell



Complete Systems

PART #	DESCRIPTION
PRO2US-CONV	Professional with 2 Power Modules, 2 Comm. Convection Cells & Tri-Sensor Assy
PRO3US-CONV	Professional with 3 Power Modules, 3 Comm. Convection Cells & Tri-Sensor Assy
PRO4US-CONV	Professional with 4 Power Modules, 4 Comm. Convection Cells & Tri-Sensor Assy
PRO5US-CONV	Professional with 5 Power Modules, 5 Comm. Convection Cells & Tri-Sensor Assy
PRO6US-CONV	Professional with 6 Power Modules, 6 Comm. Convection Cells & Tri-Sensor Assy

POOL PILOT® PROFESSIONAL (PPP) Professional

Power Supply Parts For 78102A-CONV--78106A-CONV (78102A-CONV Shown)

78102A-CONV:
2 Cell Professional
Power Supply

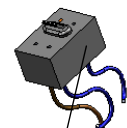
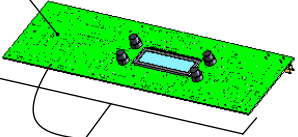
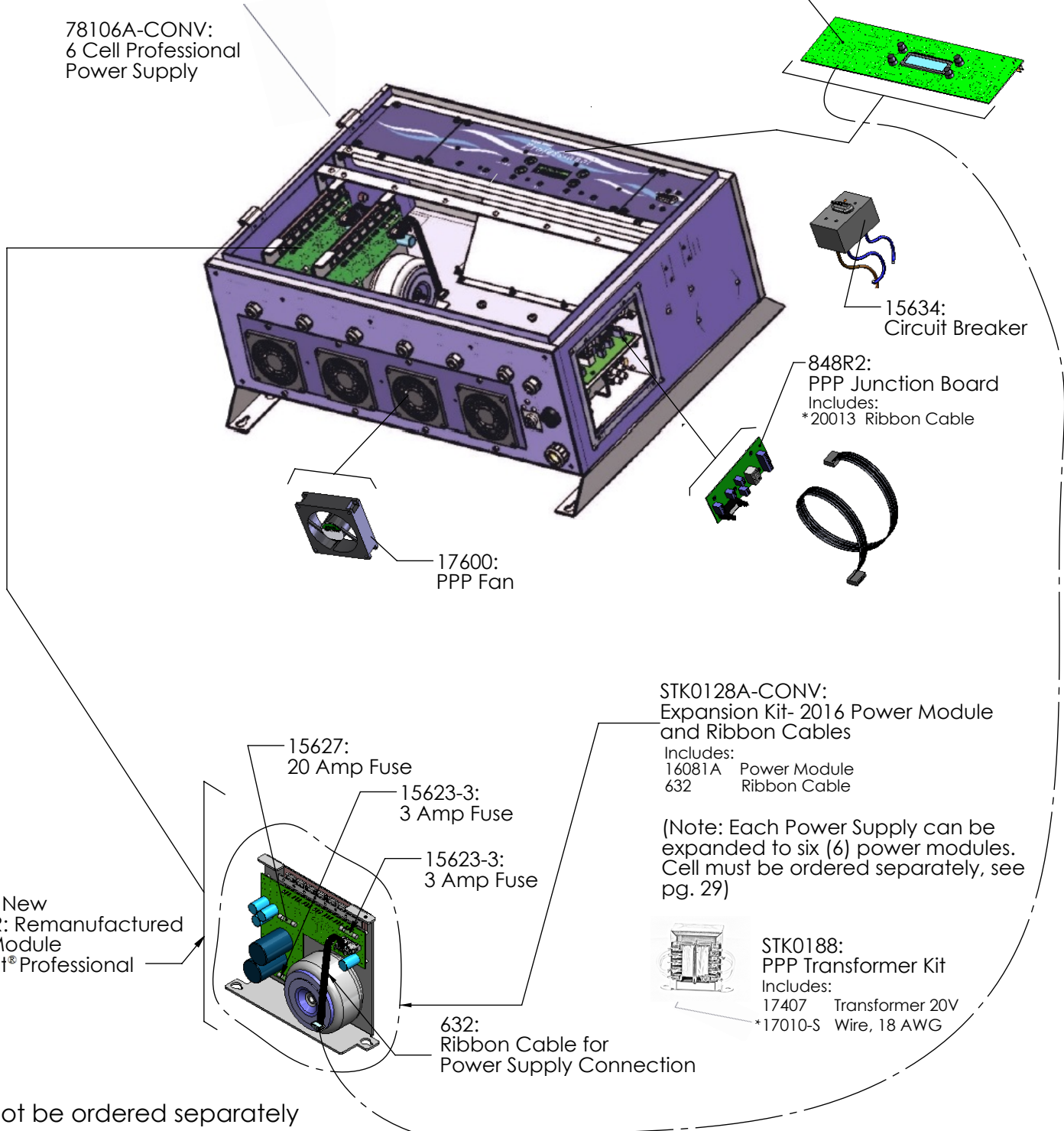
78103A-CONV:
3 Cell Professional
Power Supply

78104A-CONV:
4 Cell Professional
Power Supply

78105A-CONV:
5 Cell Professional
Power Supply

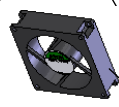
78106A-CONV:
6 Cell Professional
Power Supply

830N: New
830R: Remanufactured
Electronic Control Board
Pool Pilot Professional



15634:
Circuit Breaker

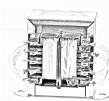
848R2:
PPP Junction Board
Includes:
*20013 Ribbon Cable



17600:
PPP Fan

STK0128A-CONV:
Expansion Kit- 2016 Power Module
and Ribbon Cables
Includes:
16081A Power Module
632 Ribbon Cable

(Note: Each Power Supply can be expanded to six (6) power modules. Cell must be ordered separately, see pg. 29)



STK0188:
PPP Transformer Kit
Includes:
17407 Transformer 20V
*17010-S Wire, 18 AWG

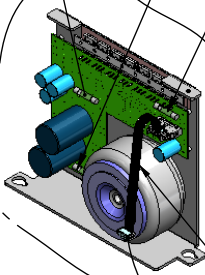
15627:
20 Amp Fuse

15623-3:
3 Amp Fuse

15623-3:
3 Amp Fuse

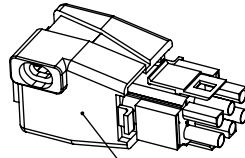
632:
Ribbon Cable for
Power Supply Connection

16081A: New
16081AR: Remanufactured
Power Module
Pool Pilot® Professional

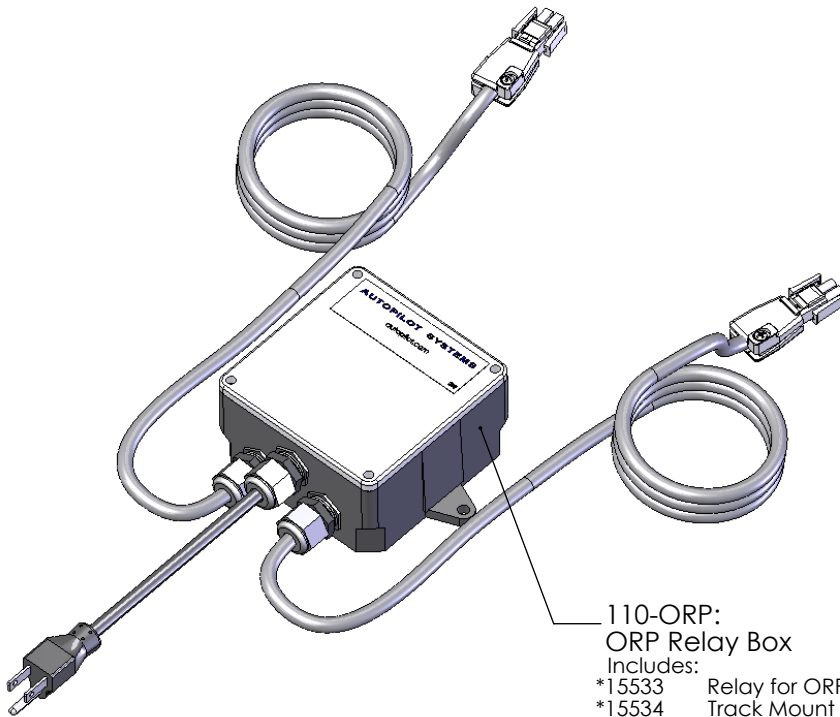


*Cannot be ordered separately

POWER SUPPLY ACCESSORIES



986-ST:
Tri-Sensor Simulator
(Simulates APA0003)



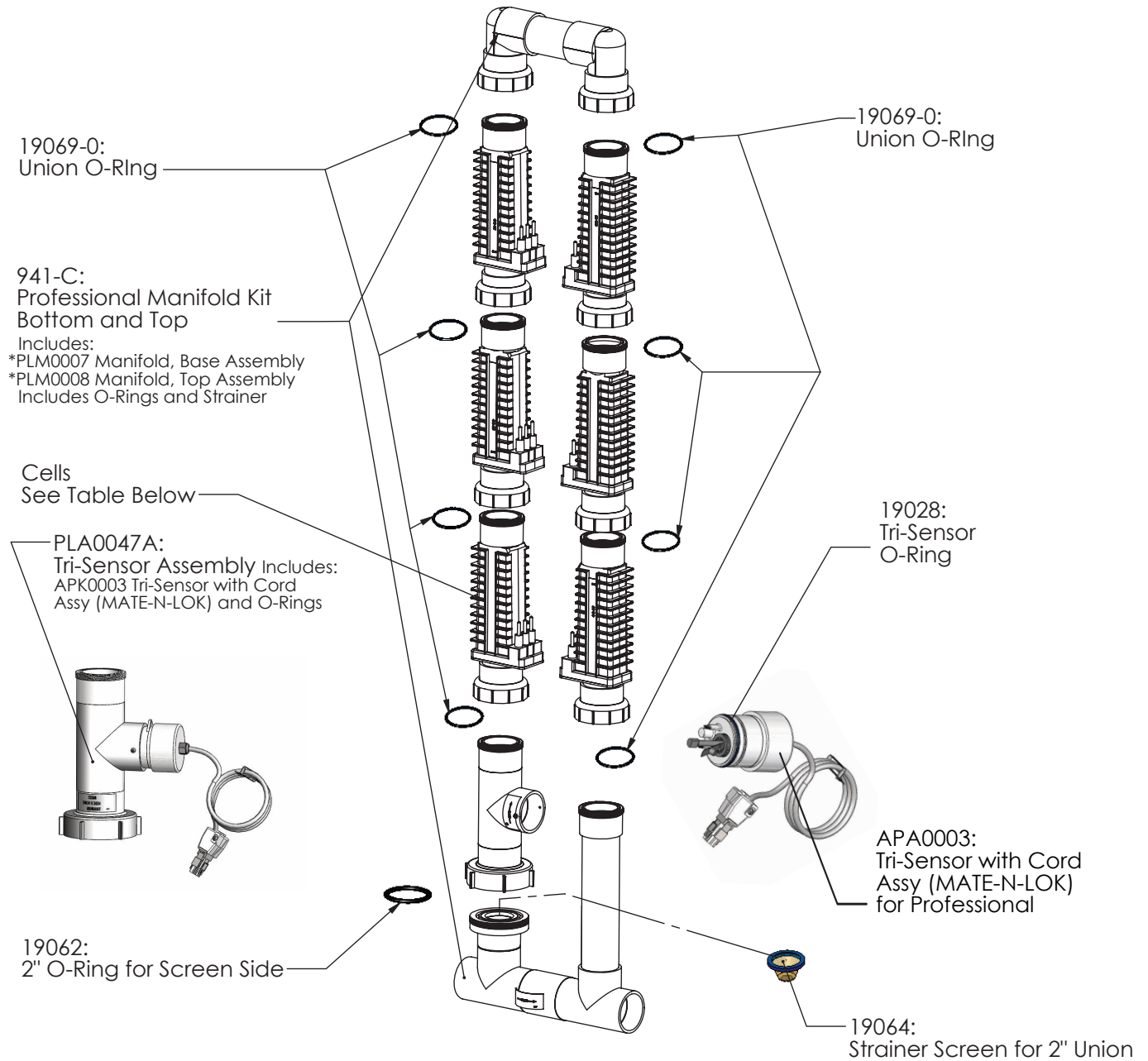
110-ORP:
ORP Relay Box

- Includes:
- *15533 Relay for ORP
 - *15534 Track Mount Socket
 - *15537 Junction Box 4x4x2
 - *19078 Connector Cable Clamp
 - *19078N Nut for Cable Clamp
 - *ECA0085 Flow Switch Cable Assy (12 ft), 2X
 - *17220 Cord 110V #16 AWG (6 ft)
 - *15402-1 Screw(s) #6-32 x 1/4 PPMS SS
 - *ECP0069 Cable Clamp

* Cannot be ordered separately

PROFESSIONAL SYSTEM MANIFOLDS

For 941-215AC - 941-615AC (941-615AC Shown)

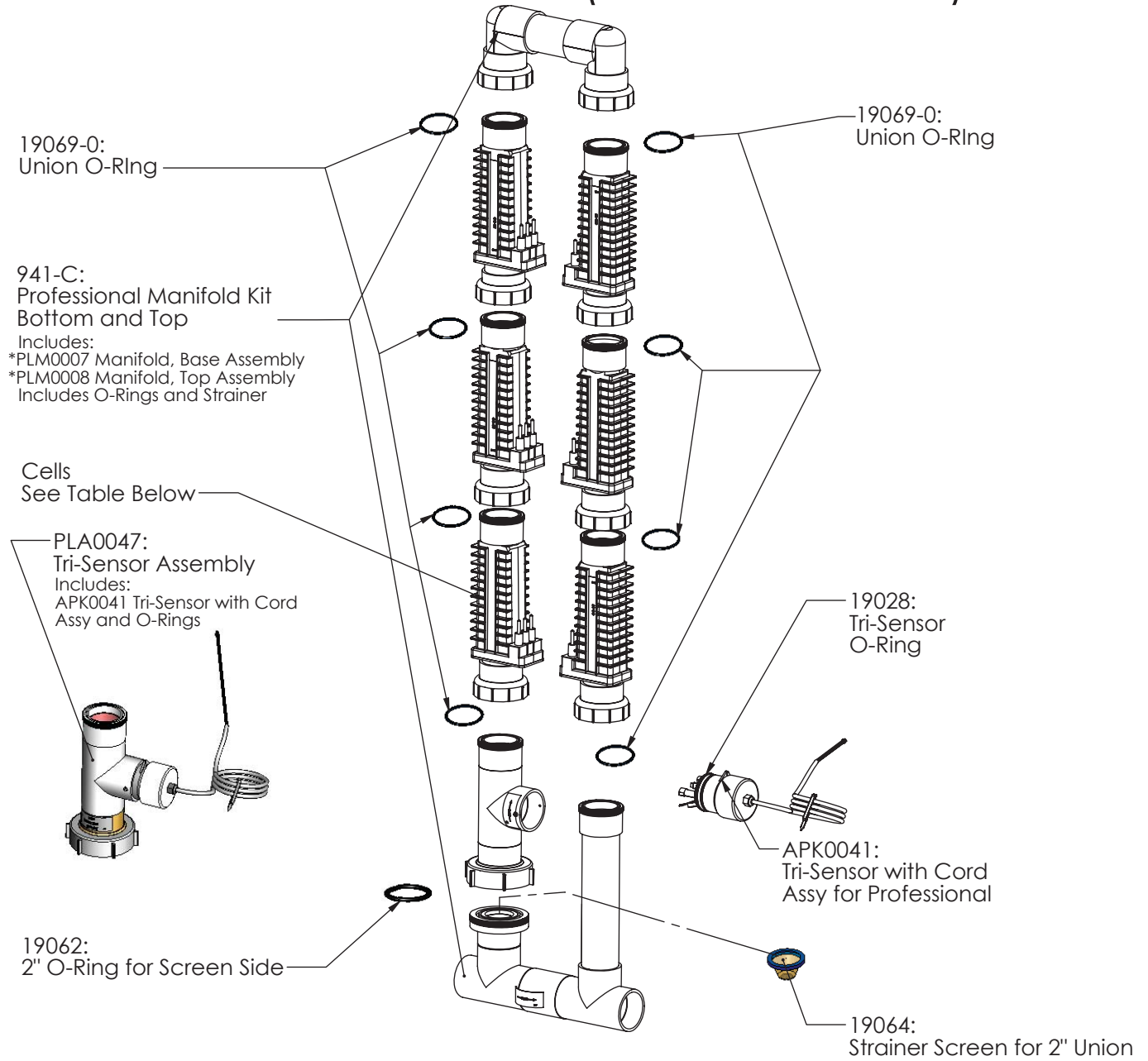


PART#	DESCRIPTION	PAGE #
941-215AC	Manifold Commercial with 2 CC15-MF Cells	29
941-315AC	Manifold Commercial with 3 CC15-MF Cells	29
941-415AC	Manifold Commercial with 4 CC15-MF Cells	29
941-515AC	Manifold Commercial with 5 CC15-MF Cells	29
941-615AC	Manifold Commercial with 6 CC15-MF Cells	29

*Cannot be ordered separately

Professional PROFESSIONAL SYSTEM MANIFOLDS

For 941-215C - 941-615C (941-615C Shown)

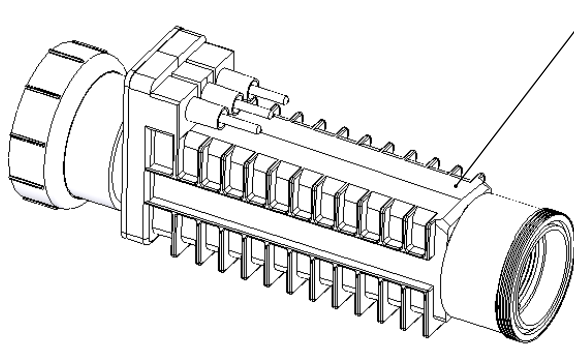


PART#	DESCRIPTION	PAGE #
941-215C	Manifold Commercial with 2 CC15-MF Cells	29
941-315C	Manifold Commercial with 3 CC15-MF Cells	29
941-415C	Manifold Commercial with 4 CC15-MF Cells	29
941-515C	Manifold Commercial with 5 CC15-MF Cells	29
941-615C	Manifold Commercial with 6 CC15-MF Cells	29

*Cannot be ordered separately

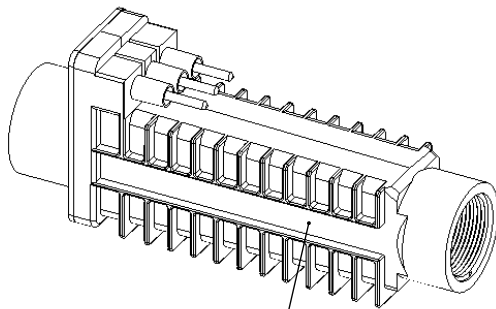
CELL OPTIONS

Professional

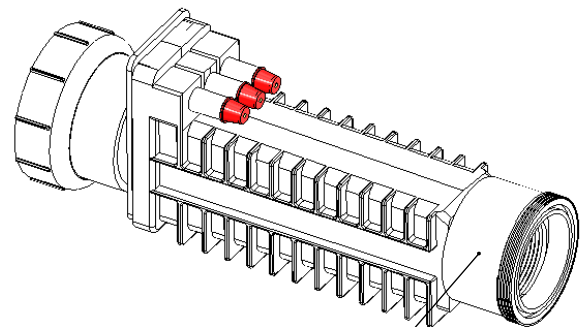


CC15-MF:
CC15 Replacement Cell
Male/Female Unions
(Commercial)
for Multiple Cell Manifolds

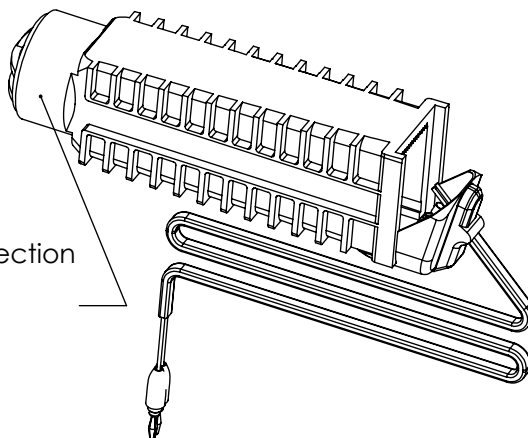
Note: When ordering STK0128Ax (see pg. 22, 23 or 25) to expand a Professional System, also order one (1) CC15-MF per STK0128. If the number of CC15-MF cell(s) is odd in the completed Professional Manifold, then also order one (1) 938-SC Spacer Cell to bring the number of cells up to an even number, if the existing manifold does not already have a 938-SC. Each Professional Manifold can be expanded to six (6) cells.



CC15-NU:
CC15 Replacement Cell
with No Unions (Commercial)



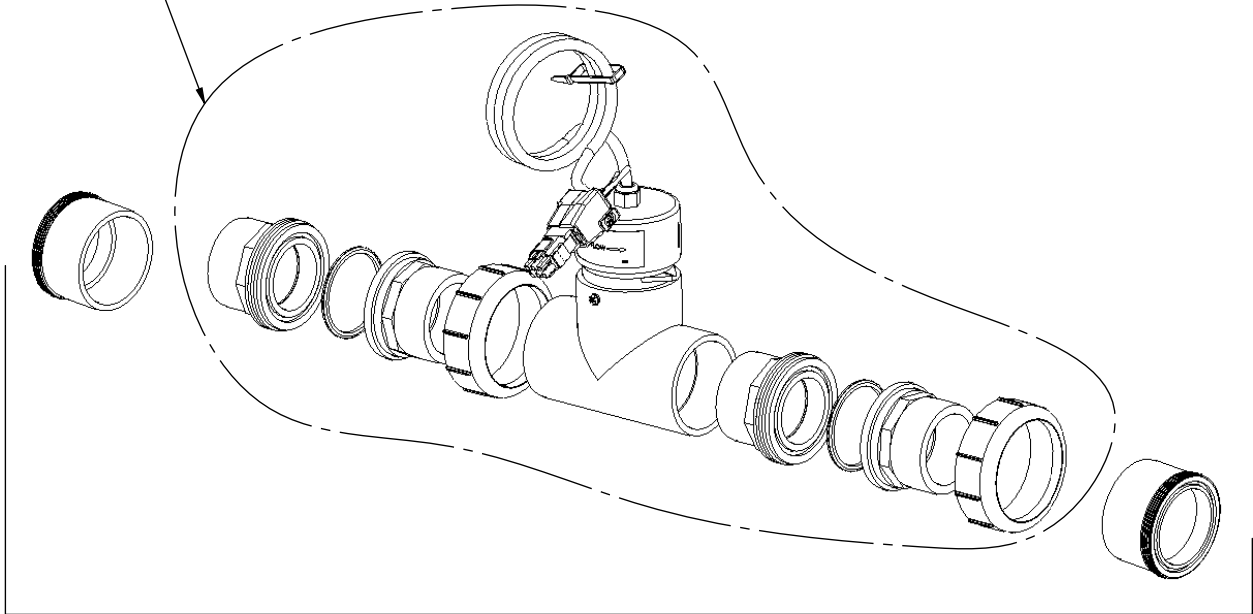
938-SC:
Spacer Cell
for Multiple Cell
Manifolds



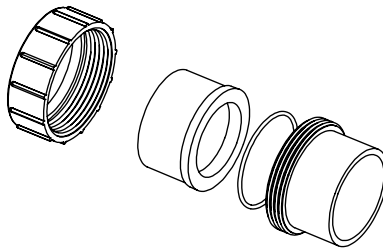
CC15-BP-CC25:
CC15 Replacement Cell Convection
with Banana Plugs
25 ft Cord

MANIFOLD ACCESSORIES/TOOLS

- APK0038:
 Tri-Sensor Assy for Convection Cell Applications
 Includes:
 19009 2" T Slip x Slip x Slip
 312-A Union Nut
 312-F 2" Spigot/1.5" Slip X Female Union
 312-C Union Half, 1.5" Slip/2" Spigot x Male Thread Union
 * 15405 HDW Screw #6x1/2 PPSMS SS
 APA0003 Tri-Sensor with Cord Assy 12 ft



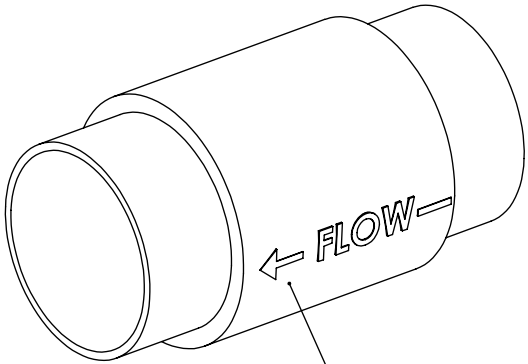
- APA0065:
 Inline Conversion Kit
 Same as APK0038 Kit above but with
 additional two 312-D Union Halves, 2S x MT Union



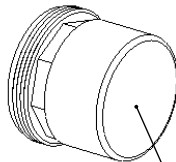
- PLS2627:
 Union Kit
 Includes:
 312-A Union Nut
 312-B Union Half, 2" Slip x Female Union
 312-D Union Half, 2" Slip x Male Thread Union (with O-Ring 19069-0)
 or
 PLS0001:
 Union Kit-Pack of 10 PLS2627

*Cannot be ordered separately

MANIFOLD ACCESSORIES/TOOLS Professional

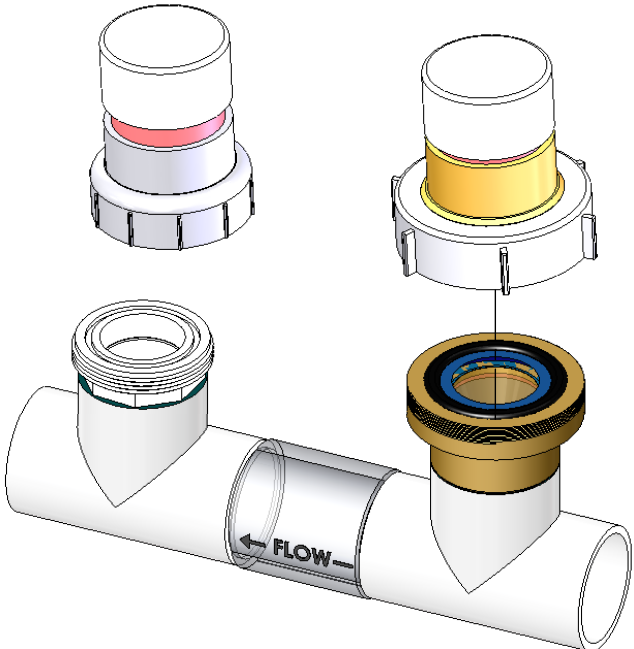
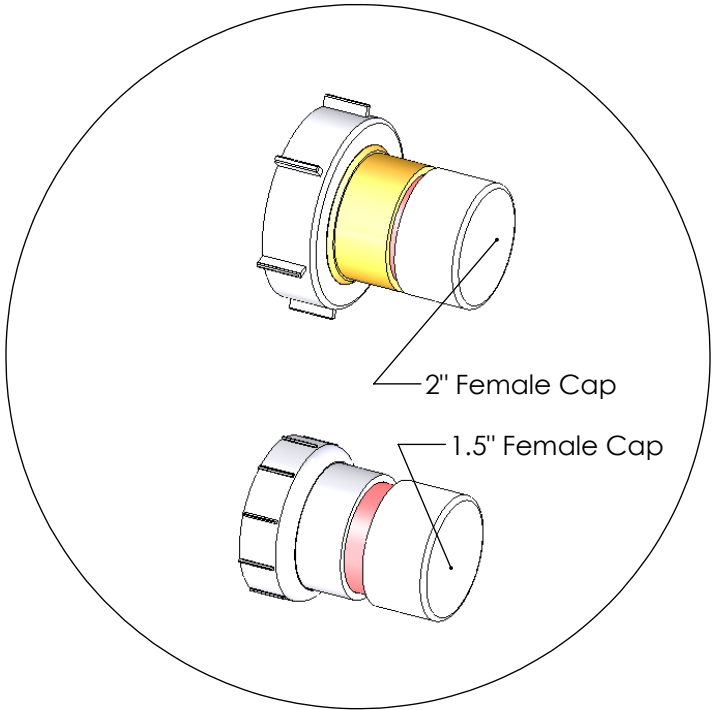


19096:
2" Check Valve 5 lbs



PLA0113:
Cell Cleaning
Kit (Male)

996:
Cap Kit



996 Shown on Manifold
Base Assembly