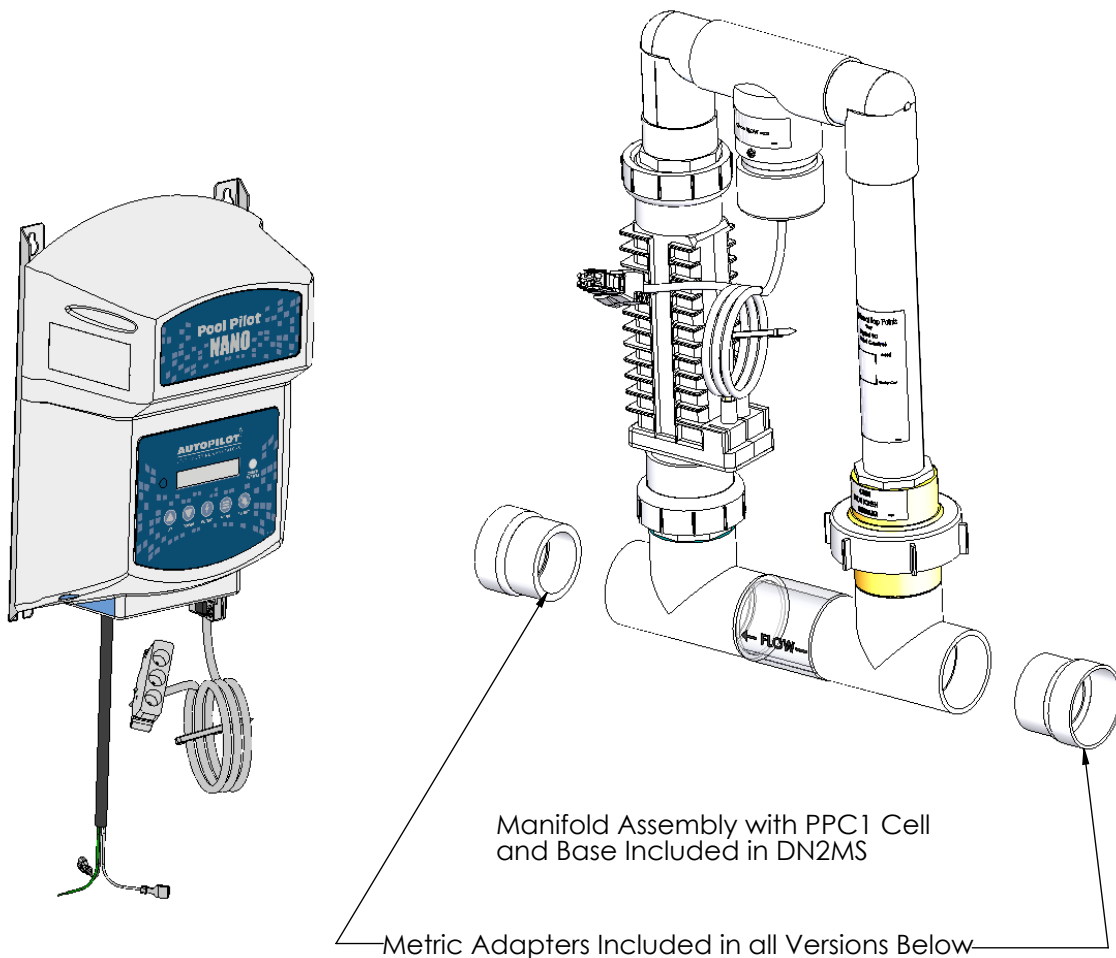


# NANO PCC SYSTEMS

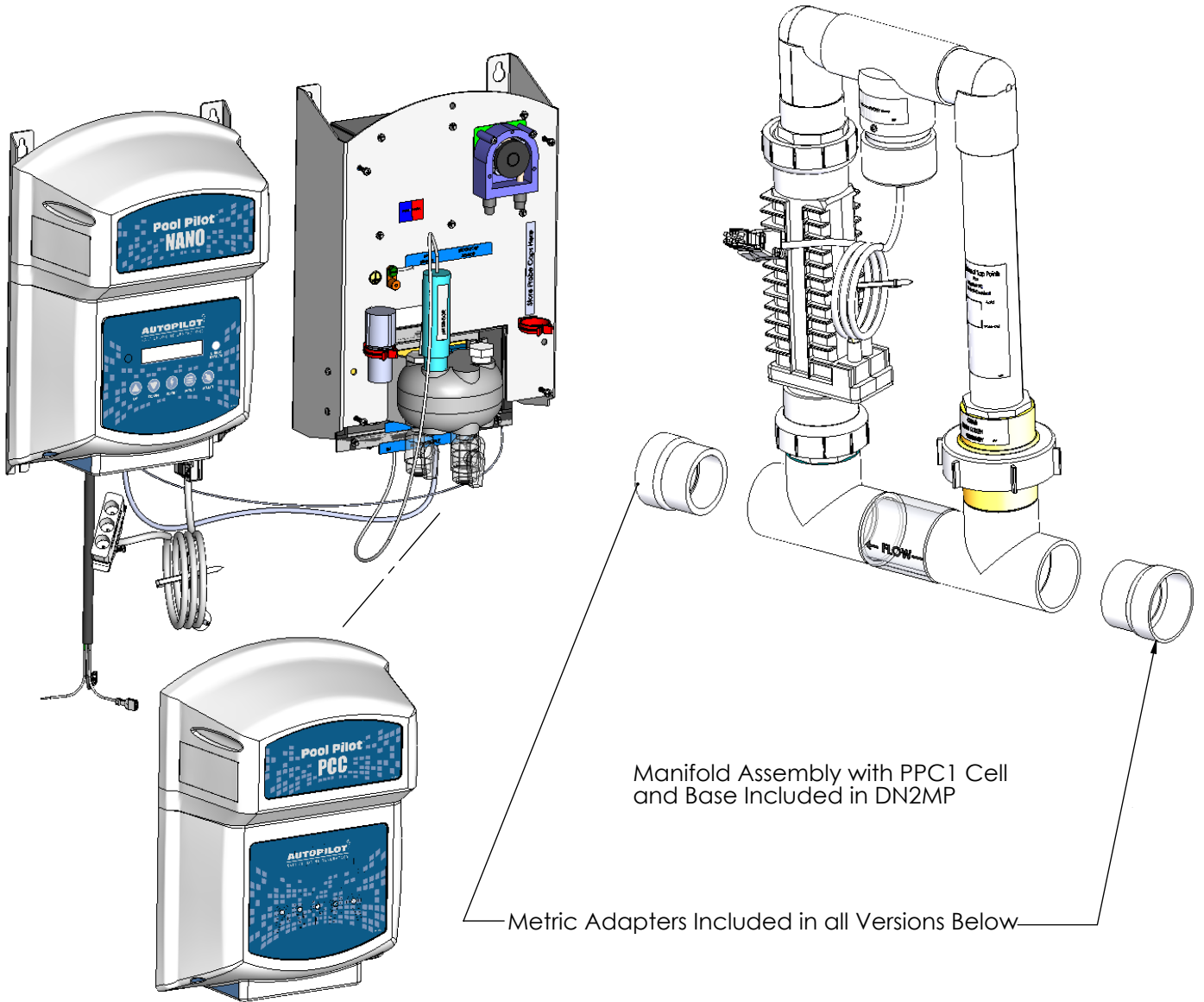
Nano PCC



PART #	DESCRIPTION
DN2MS	Nano, 220V with PPM1M Manifold, Cover Detect Switch and PCC Ready, with Metric Adapters Eng, Esp, Fra, Ger, Ita, Ces Languages

# NANO PCC SYSTEMS

## With Pool Chemistry Controller



PART #	DESCRIPTION
DN2MP	Nano, 220V with PPM1M Manifold, Cover Detect Switch, Peristaltic Pump, pH Probe and PCC ready, with Metric Adapters Eng, Esp, Fra, Ger, Ita, Ces Languages

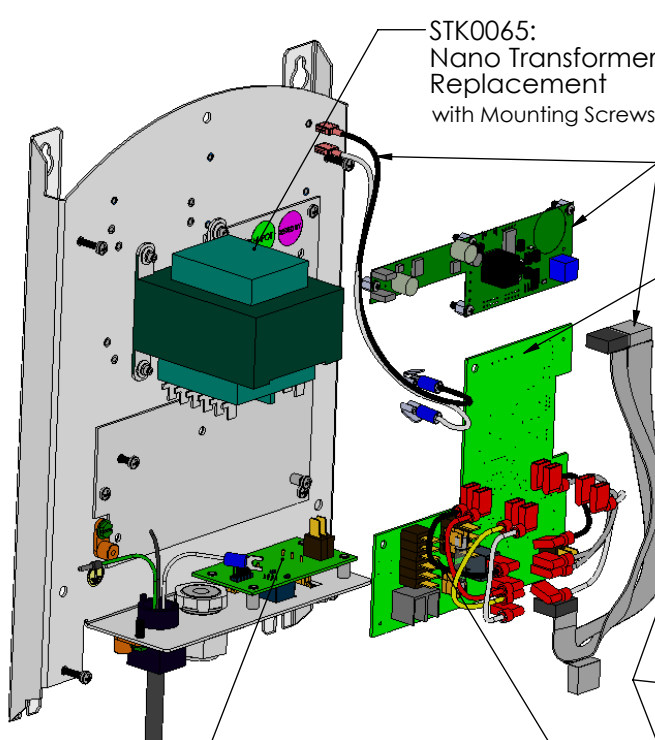


**CAUTION:** Sulfuric Acid is approved for dispensing by the Pool Chemistry Controller (PCC) Models 75054 and 75055. Muriatic/Hydrochloric Acid is **NOT** approved for dispensing by the PCC and will void warranty coverage if dispensed by the PCC.

# NANO PCC SYSTEMS

## Nano PCC

### Power Supply Parts



STK0065:  
Nano Transformer  
Replacement  
with Mounting Screws

STK0163:  
Digital Interface Board  
(841-3A)

15619-SVC:  
(Use for 110V) Fuse 2A,3AG,250VAC  
or  
15611-SVC:  
(Use for 220V) Fuse 2A,3AG,250VAC

STK0158:  
Nano Power Supply  
Board Replacement

- Includes:
- \*CBP0001G Nano Power Supply PCC Ready
  - ECP0063 Modular Cable 12"
  - 15619-SVC Fuse 2A, 3AG, 250VAC (Spare-use for 110V)
  - 15611-SVC Fuse 1A, 3AG, 250VAC (Installed-use for 220V)
  - \*15486 HDW Screw #6-32 x 5/16 (4)
  - STK0172 Nano/Nano+ PCC Wire and Cable Repl. Kit

- STK0156:  
Kit for Nano Expansion Board
- Includes:
- \*863A Expansion Board
  - \*ECA0348 24V Power Cable to 863A
  - \*FAP0217 Standoffs 4-40x1/4" (5)
  - \*FAP0056 Nut #4-40 Kept SS (1)
  - \*FAP0219 Screw #4-40x1/8" (5)
  - \*ECA0352 Ribbon Cable (2)
  - \*PCP0326 1/2" NPT Split Gland



STK0159:  
Nano/Nano+ Display PC Board  
Replacement Kit

- Includes:
- \*841-2C Nano Display Board PCC Ready
  - ECP0063 Modular Cable 12"

STK0165:  
Nano Cover Replacement Kit

- Includes:
- \*PCP0150 Molded Cover for Nano
  - \*LBP0267 Label, Nano Cover Control Panel
  - \*LBP0266 Label, Nano Cover Top
  - \*GKP0013 O-Ring Cord 3.5mm
  - \*15403 HDW Screw #6-32 x 3/4 (4)
  - \*GKP0111 O-Ring B1000-006

STK0172:  
Nano/Nano+ PCC Wire and Cable Replacement Kit

- Includes:
- |              |                          |            |
|--------------|--------------------------|------------|
| *04AK1800404 | Wire Assy 18 AWG, UL1007 | Black (2)  |
| *04AW1800404 | Wire Assy 18 AWG, UL1007 | White (2)  |
| *04AR1800404 | Wire Assy 18 AWG, UL1007 | Red (2)    |
| *04AY1800404 | Wire Assy 18 AWG, UL1007 | Yellow (2) |
| *20007       | Ribbon Cable 10 CCT (1)  |            |
| ECP0063      | Modular Cable 12" (1)    |            |
| *ECA0352     | Ribbon Cable (2)         |            |
| *ECA0348     | 24V Power Cable to 863A  |            |

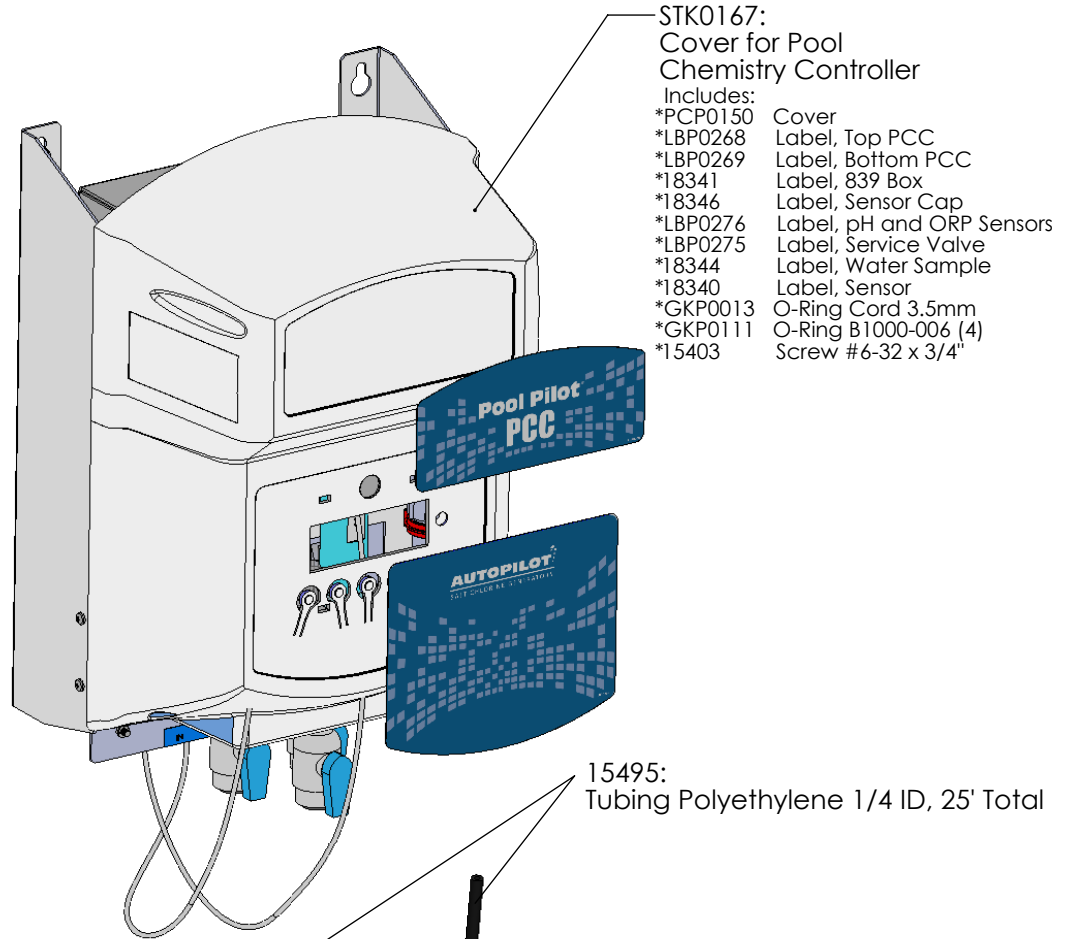
952-SVC:  
Cell Cord 12 ft with 3 Pin  
MATE-N-LOK Connector  
Included with DN2MS and DN2MP  
or  
952-24:  
Cell Cord 24 ft

19050:  
Red Protective Cap

\*Cannot be ordered separately

# NANO PCC SYSTEMS

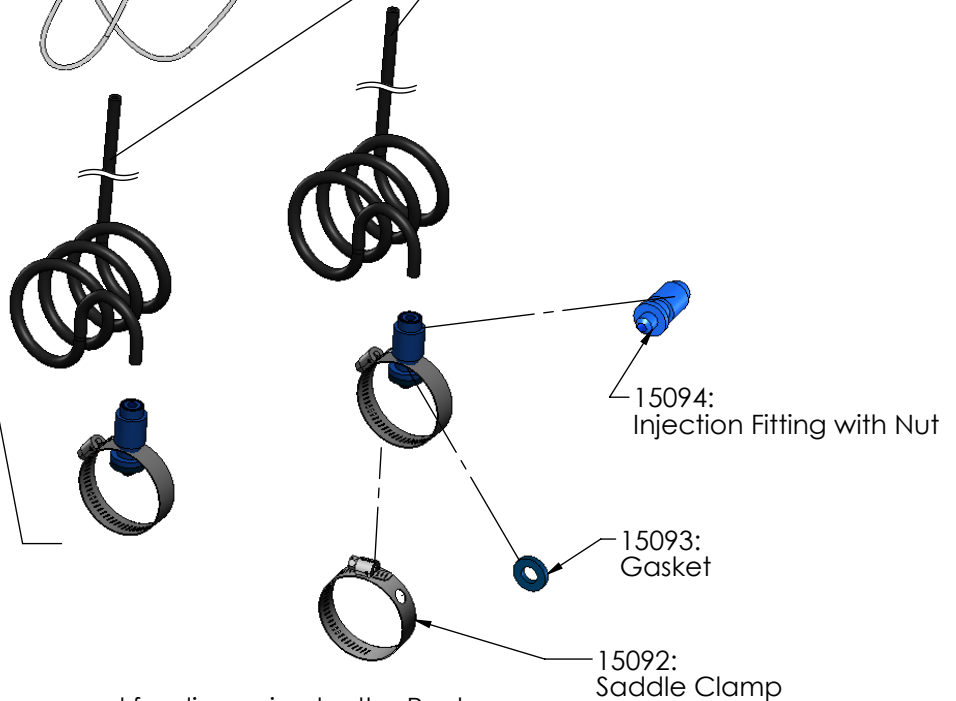
## Pool Chemistry Controller Parts



15495:  
Tubing Polyethylene 1/4 ID, 25' Total

17013:  
Accessory Kit For 75054/75055

- Includes:
- \*331 Anchors (4)
  - \*330-HEX HDW Screw #10 x 1 (4)
  - 15092 Saddle Clamp (2)
  - 15093 Gasket (2)
  - 15094 Injection Fitting (2)
  - 15495 Polyethylene Tubing, 1/4" ID x 3/8" OD x 25'



**CAUTION:** Sulfuric Acid is approved for dispensing by the Pool Chemistry Controller (PCC) Models 75054 and 75055. Muriatic/Hydrochloric Acid is **NOT** approved for dispensing by the PCC and will void warranty coverage if dispensed by the PCC.

\*Cannot be ordered separately

# NANO PCC SYSTEMS

## Pool Chemistry Controller Parts

Nano PCC

**STK0173:**

**Top Box**

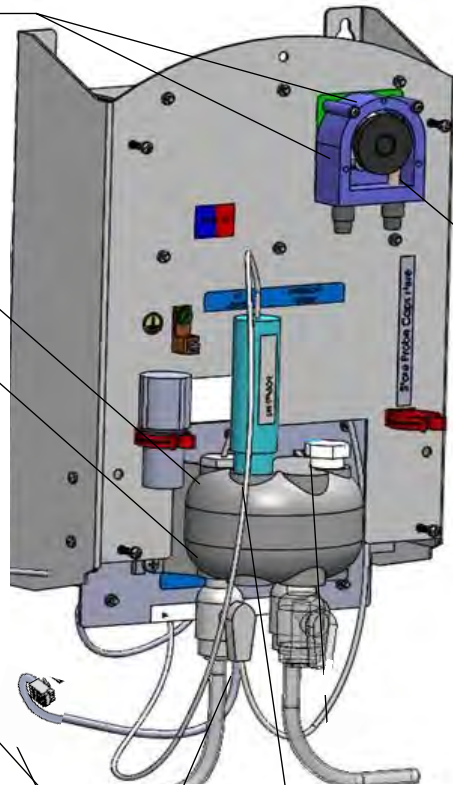
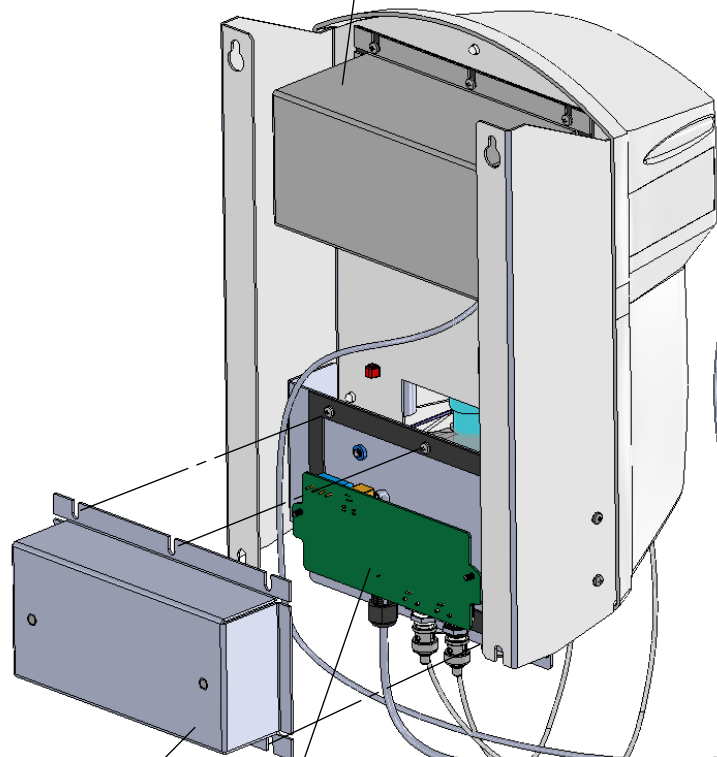
- Includes:  
 \*MTA0141 Box Assy  
 \*9040 Screw, 6-32 x 3/8" (6)  
 \*INP0018 Gasket for Metal Box

**STK0168:**  
**Pump Kit**

- Includes:  
 \*ECP0272 Peristaltic Pump  
 \*GKP0017 Pump Gasket  
 \*ECA0349 12V Pump Cable

**ECS19150:**  
**Flow Switch**

**19153:**  
**Injection Flow Cell**



- ECS19151:**  
**pH Sensor**
- 17555-SVC:**  
**Ball Valve, 1/4" Male NPT to QC (3)**
- ECA0349:**  
**12V Cable to Pump**

**17212-1:**  
**Modular Cable**

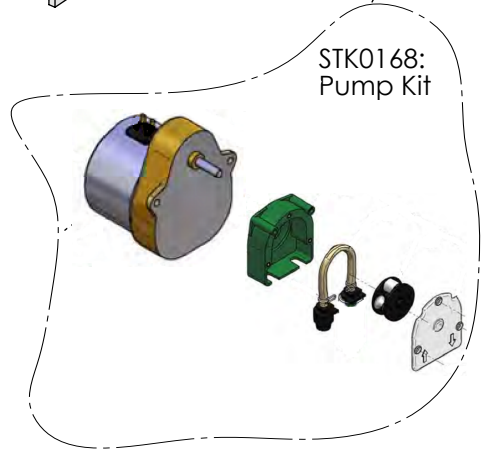
- 839N:** New  
**839R:** Remanufactured  
**ORP/pH Board**

**STK0164: Service Kit for PCC**

- Includes:  
 839N PCB Assy ORP/pH Board  
 \*15496 Nut for BNC Connector (2)  
 \*15497 Lockwasher for BNC Connector (2)  
 17212-1 Modular Cable with Gland  
 \*MTA0138 Metal Box for 839 Board  
 \*INP0018 Gasket for Metal Box  
 \*9040 Screw, #6-32 x 3/8" (6)  
 \*15402-1 Screw, #6-32 x 1/4" (2)  
 \*18341 Label, 839 Box

**STK0031:**  
**Flow Cell Kit for Service Use**

- Includes:  
 19153 Flow Cell Injection  
 ECS19150 Flow Switch Total Control  
 17555-SVC Ball Valve 1/4 Male NPT to QC (3)  
 \*15657 HDW Screw #10-32 x 3/8 PPMS (4)  
 \*15432 HDW #10 Lock Washer (4)



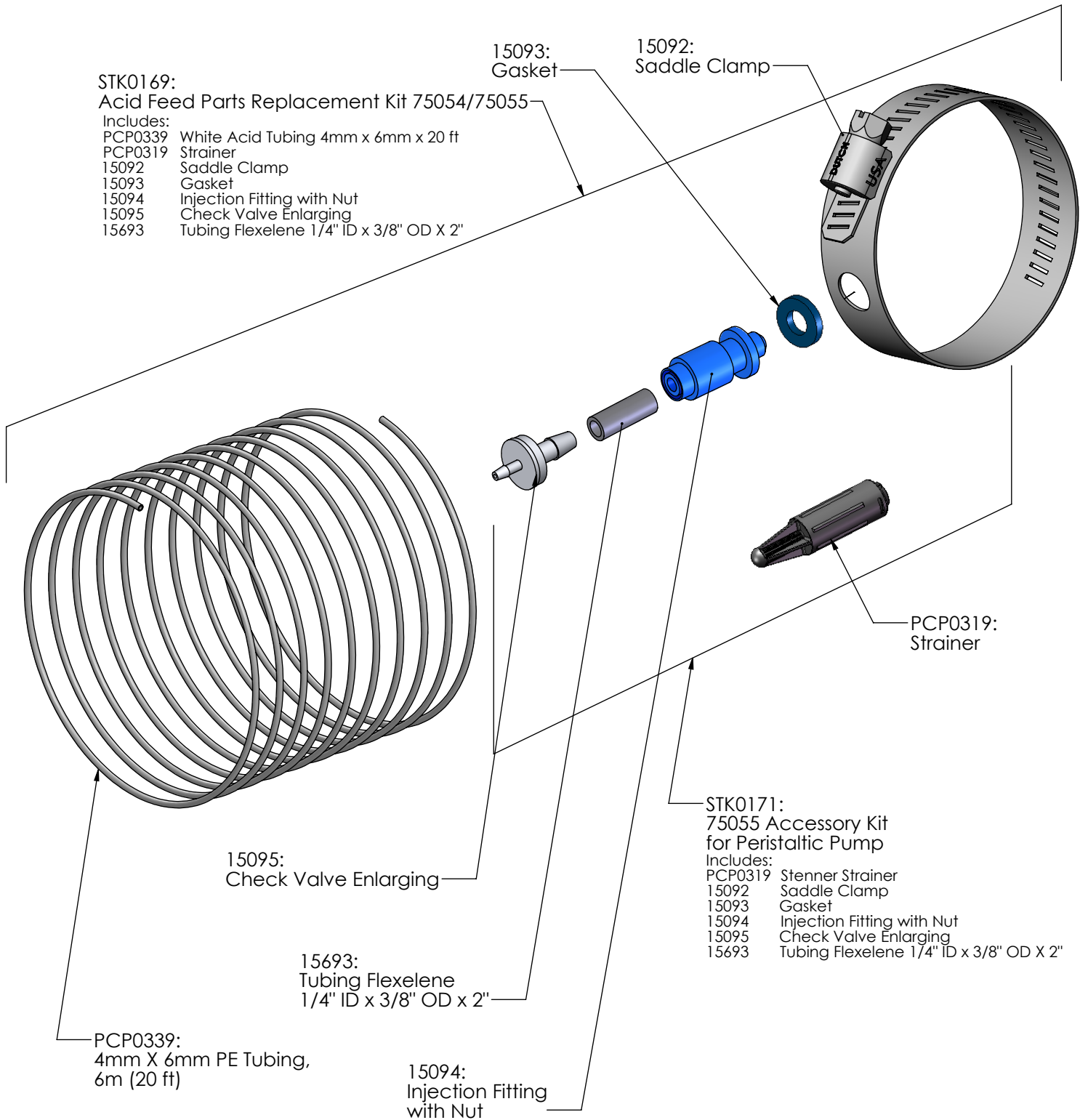
**STK0168:**  
**Pump Kit**

\*Cannot be ordered separately

Nano PCC

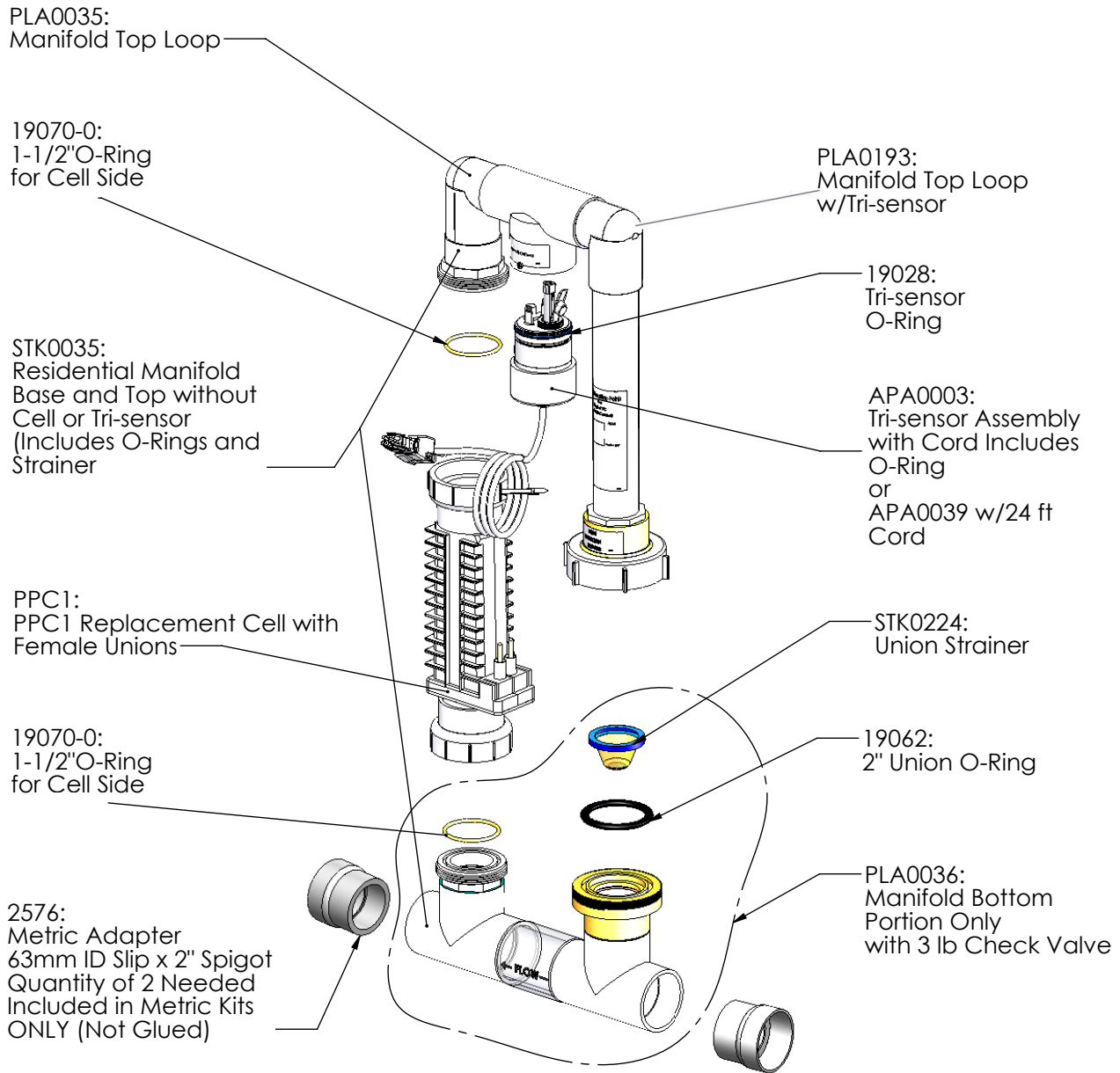
# NANO PCC SYSTEMS

## Pool Chemistry Controller Parts



# SINGLE SYSTEM MANIFOLDS

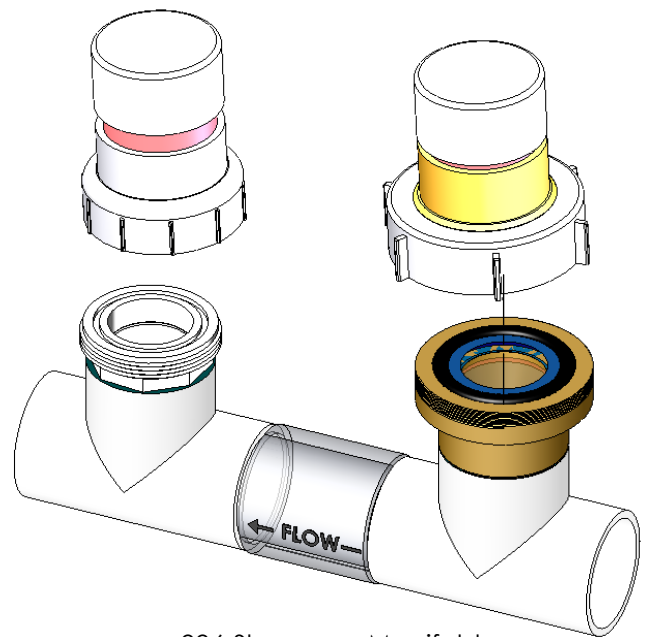
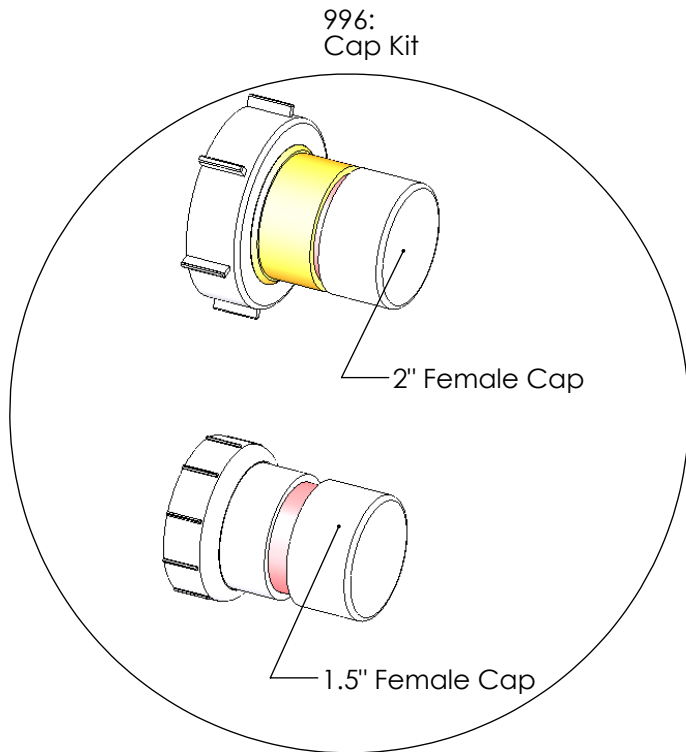
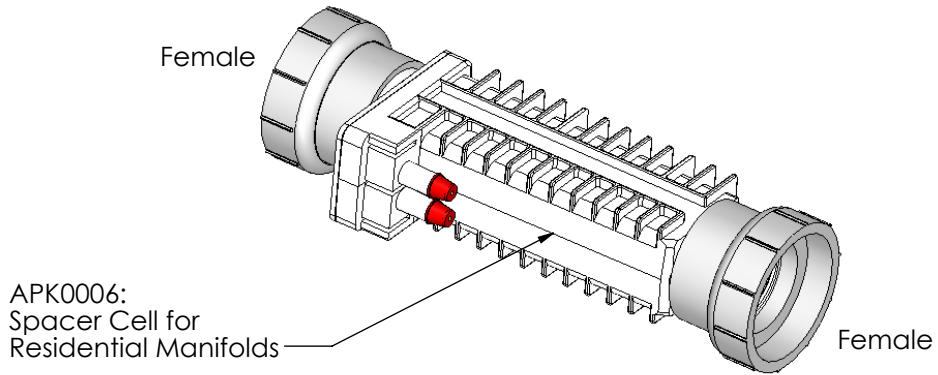
Nano PCC



## Single System Manifolds/Cells

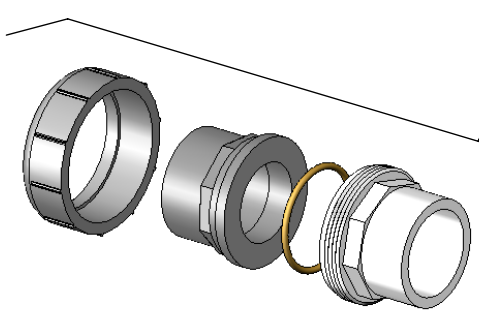
PART #	DESCRIPTION
PPM1M	Manifold Assy with PPC1 Cell and Metric Adapters

# Nano PCC MANIFOLD ACCESSORIES/TOOLS

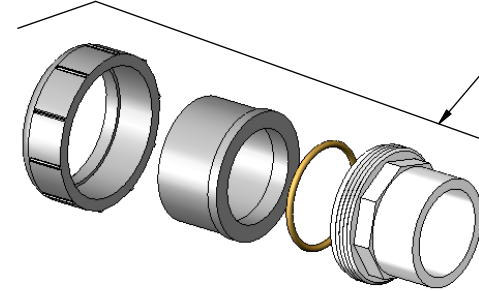




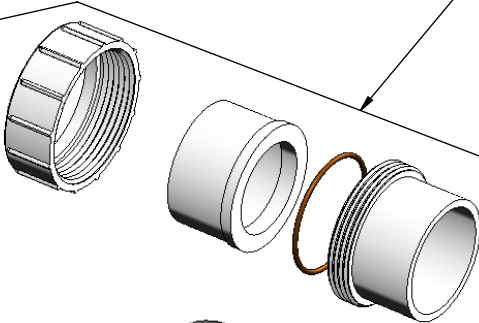
# MANIFOLD ACCESSORIES/TOOLS Nano PCC



19073:  
 Union Kit  
 Includes:  
 312-A-SVC Union Nut  
 312-F Union Half, 2" Spigot/1.5" Slip X Female Union  
 19070-0 1-1/2" O-Ring  
 312-C-SVC Union Half, 1.5" Slip/2" Spigot x Male Thread Union

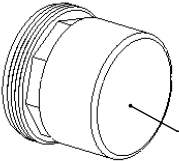


19070:  
 Union Kit  
 Includes:  
 312-A-SVC Union Nut  
 312-B-SVC Union Half, 2" Slip x Female Union  
 19070-0 1-1/2" O-Ring  
 312-C-SVC Union Half, 1.5" Slip/2" Spigot x Male Thread Union

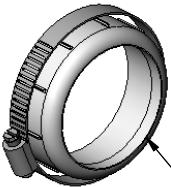


PLS2627:  
 Union Kit  
 Includes:  
 312-A-SVC Union Nut  
 312-B-SVC Union Half, 2" Slip x Female Union  
 312-D Union Half, 2" Slip x Male Thread Union (with O-Ring 19069-0)

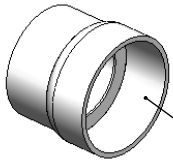
or  
 PLS0001:  
 Union Kit-Pack of 10 PLS2627



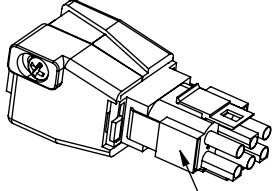
PLA0113:  
 Cell Cleaning Kit (Male)



STK0048:  
 Cracked Union Nut Service Kit



2576:  
 Metric Adapter  
 63mm ID Slip x 2" Spigot  
 Quantity of 2 Needed  
 Included in Metric Kits  
 ONLY (Not Glued)



986-ST:  
 Tri-sensor Simulator  
 (Simulates APA0003)