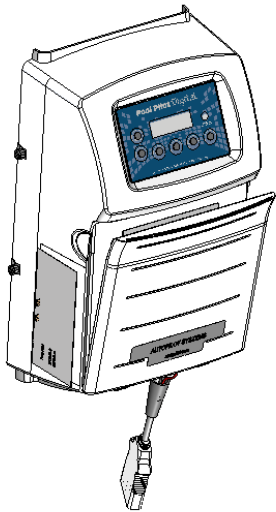
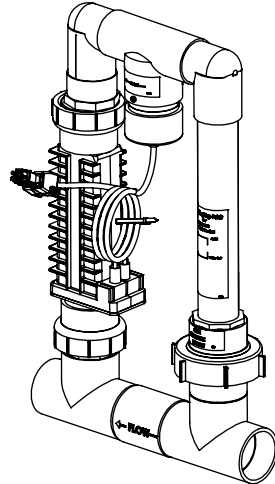


# DIG-220

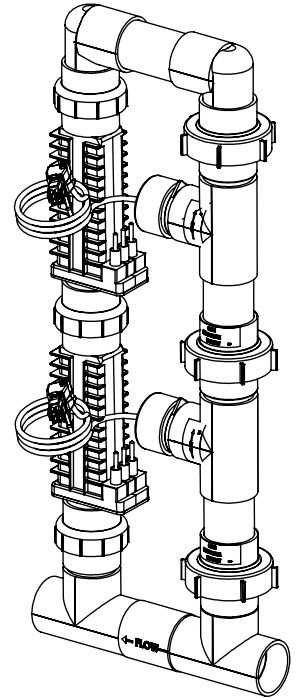
Digital



DIG-220



Single System Manifold



Dual System Manifold

Power Supply	
PART #	DESCRIPTION
DIG-220	Digital Power Supply Eng, Esp, Fra, Ita Languages
DIG-220CE	Digital Power Supply CE Version Eng, Esp, Fra, Ita Languages

## Single System Manifold Types

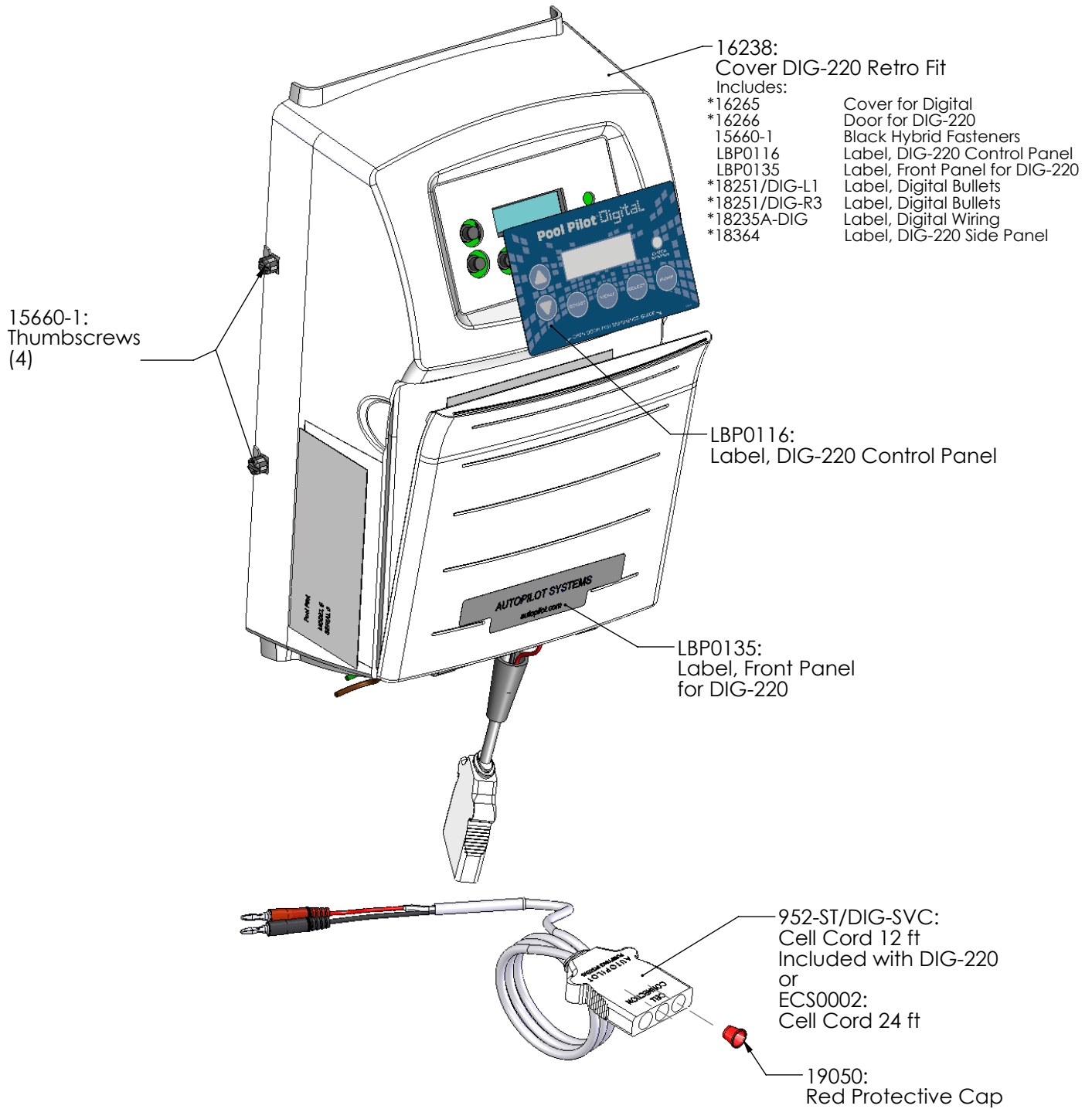
PART #	DESCRIPTION	PAGE #
PPM1	Manifold Assy with PPC1 Cell	5
PPM3	Manifold Assy with PPC3 Cell	5
PPM4	Manifold Assy with PPC4 Cell	5
PPM5	Manifold Assy with PPC5 Cell	5
PPM1M	Manifold Assy with PPC1 Cell and Metric Adapters	5
PPM3M	Manifold Assy with PPC3 Cell and Metric Adapters	5
PPM4M	Manifold Assy with PPC4 Cell and Metric Adapters	5
PPC5M	Manifold Assy with PPC5 Cell and Metric Adapters	5
APK0006	Spacer Cell for Maintenance	9

## Dual System Manifold Types

PART #	DESCRIPTION	PAGE #
941-215C-A	Manifold Commercial	6
938-SC	Spacer Cell	9

Digital

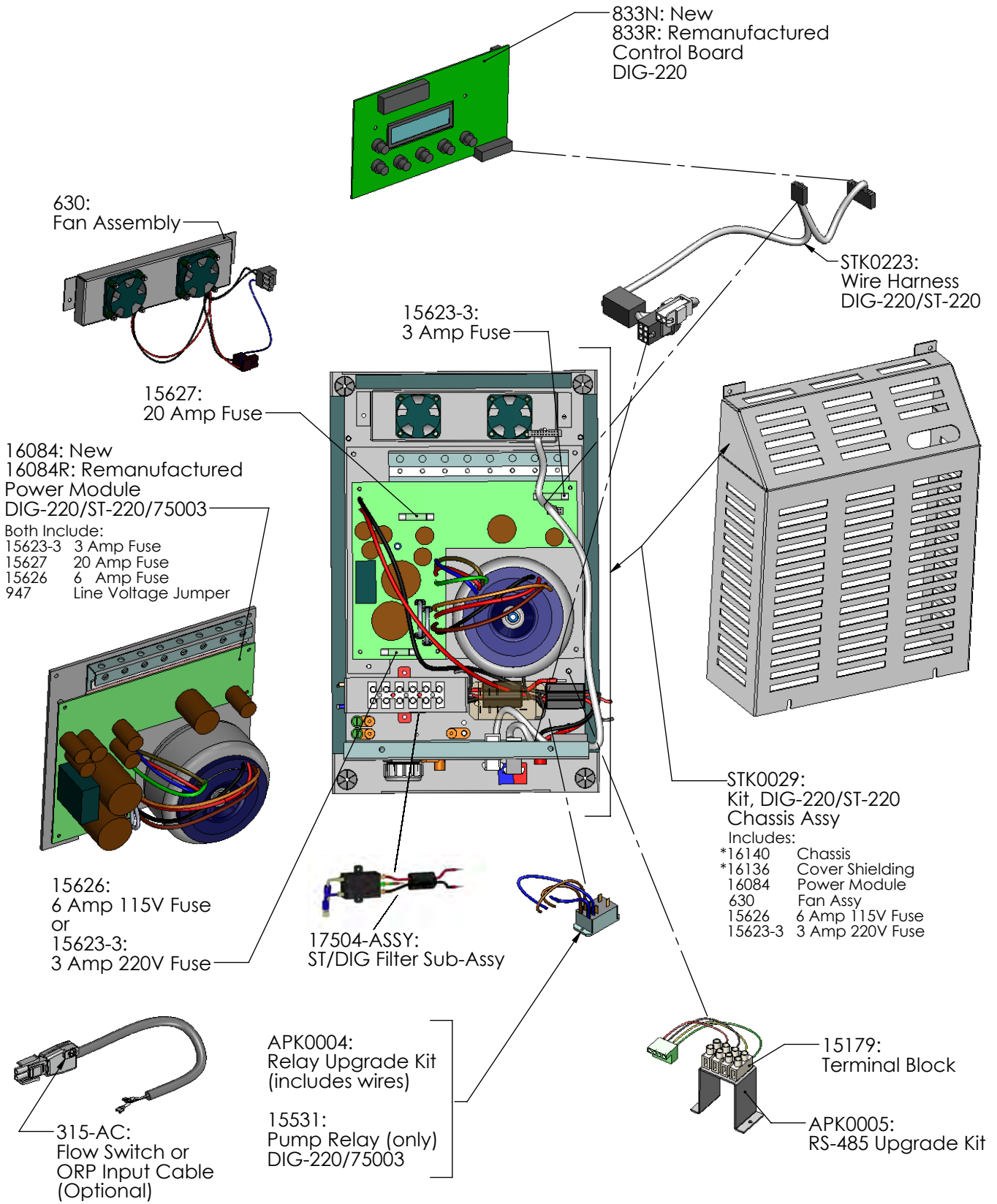
# DIG-220 Power Supply Parts



\*Cannot be ordered separately

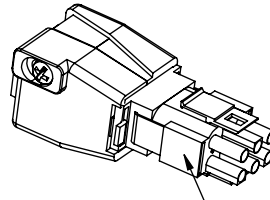
# DIG-220 Power Supply Parts

Digital

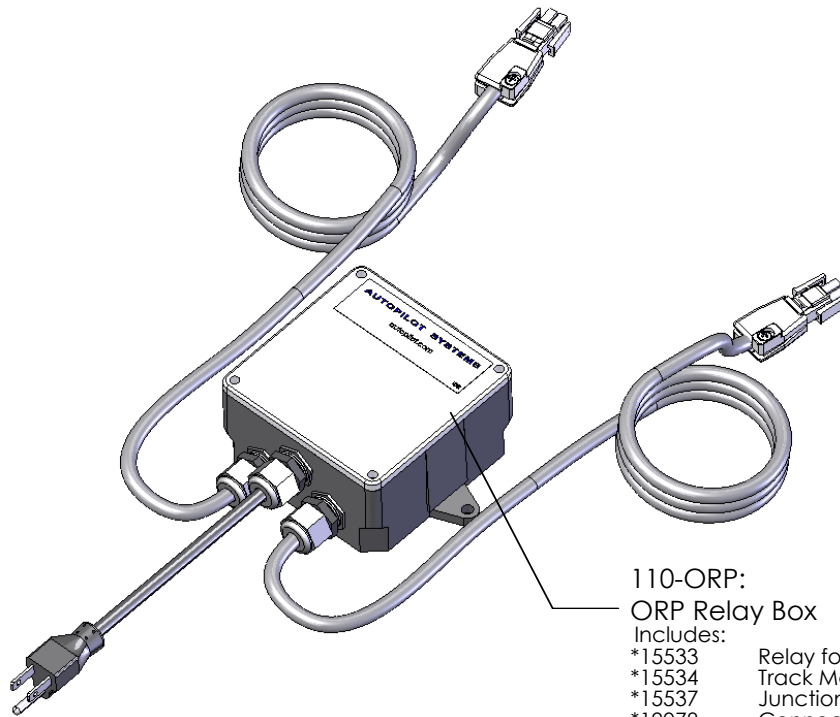


\*Cannot be ordered separately

# POWER SUPPLY ACCESSORIES



986-ST:  
Tri-sensor Simulator  
(Simulates APA0003)



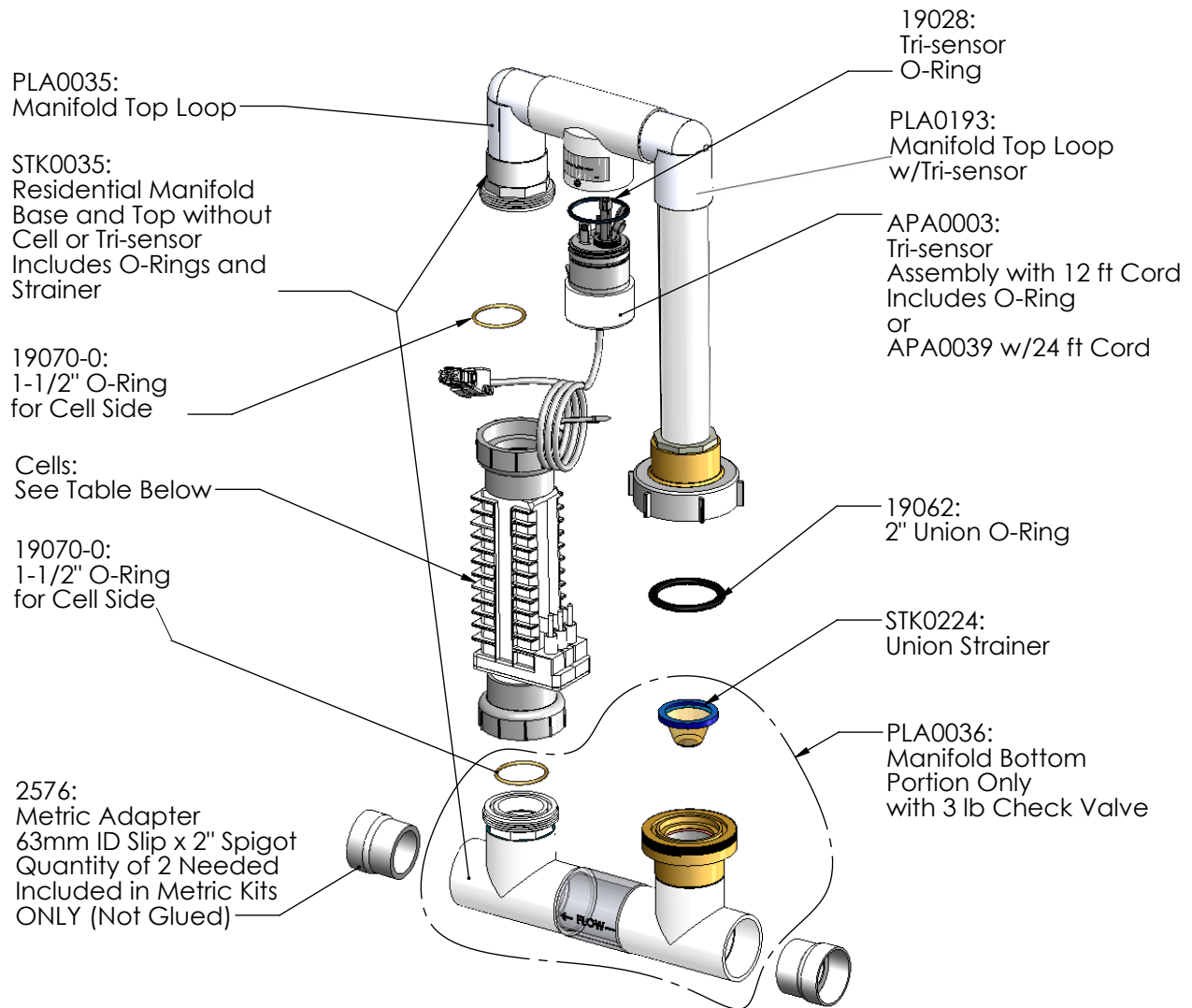
110-ORP:  
ORP Relay Box

- Includes:
- \*15533 Relay for ORP
  - \*15534 Track Mount Socket
  - \*15537 Junction Box 4x4x2
  - \*19078 Connector Cable Clamp
  - \*19078N Nut for Cable Clamp
  - \*ECA0085 Flow Switch Cable Assy (12 ft),2X
  - \*17220 Cord 110V #16 AWG (6 ft
  - \*15402-1 Screw(s) #6-32 x 1/4 PPMS S
  - \*ECP0069 Cable Clamp

\*Cannot be ordered separately

# SINGLE SYSTEM MANIFOLDS

Digital

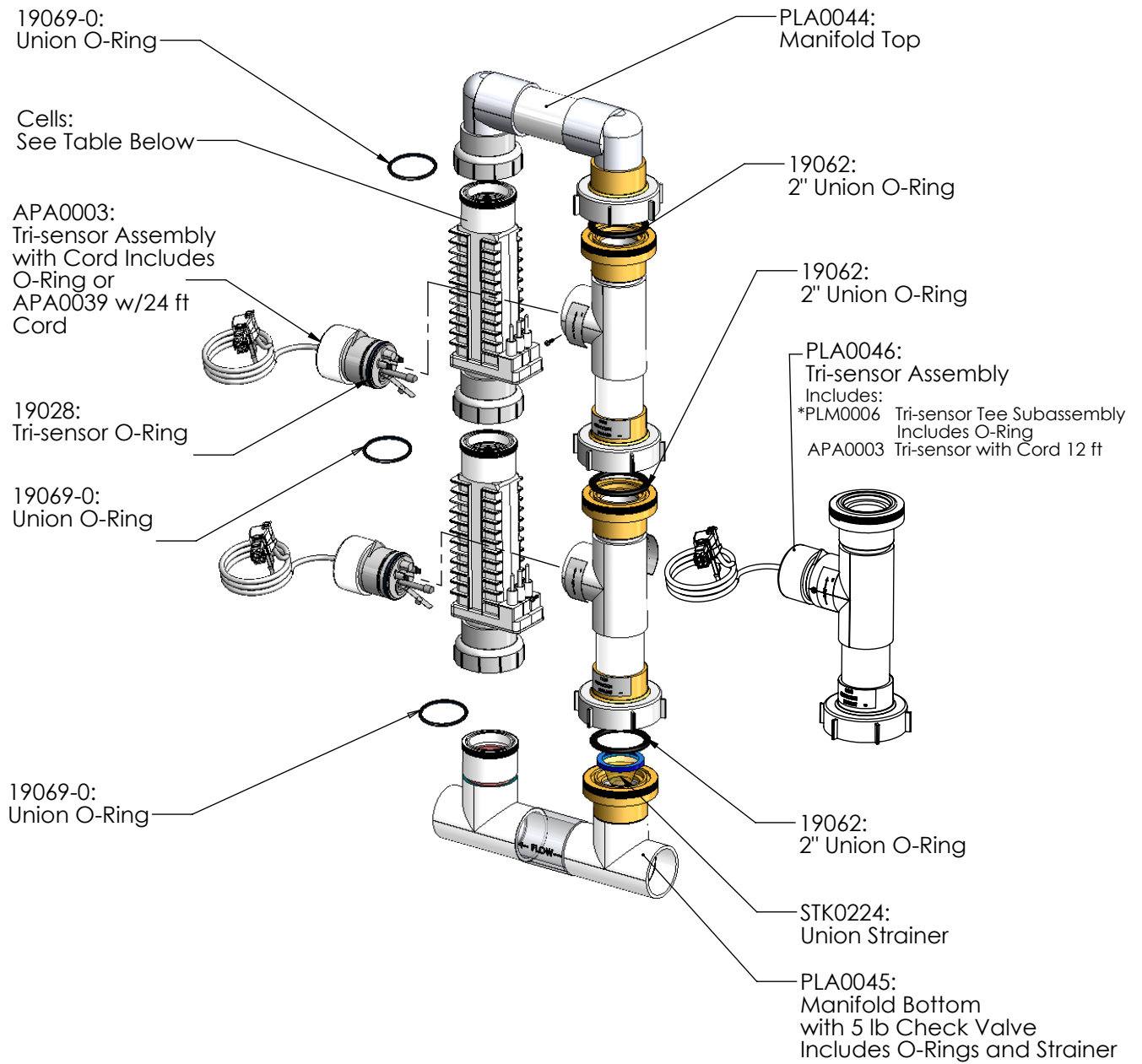


PART #	DESCRIPTION	PAGE
PPM1	Manifold Assy with PPC1 Cell	7
PPM3	Manifold Assy with PPC3 Cell	7
PPM4	Manifold Assy with PPC4 Cell	7
PPM5	Manifold Assy with PPC5 Cell	7
PPM1M	Manifold Assy with PPC1 Cell and Metric Adapters	7
PPM3M	Manifold Assy with PPC3 Cell and Metric Adapters	7
PPM4M	Manifold Assy with PPC4 Cell and Metric Adapters	7
PPM5M	Manifold Assy with PPC5 Cell and Metric Adapters	7
APK0006	Spacer Cell for Maintenance	9

Digital

# MULTIPLE SYSTEM MANIFOLD

## For Use with Dual Power Supply Systems



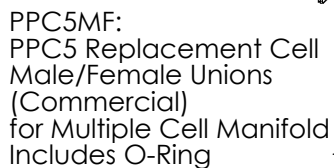
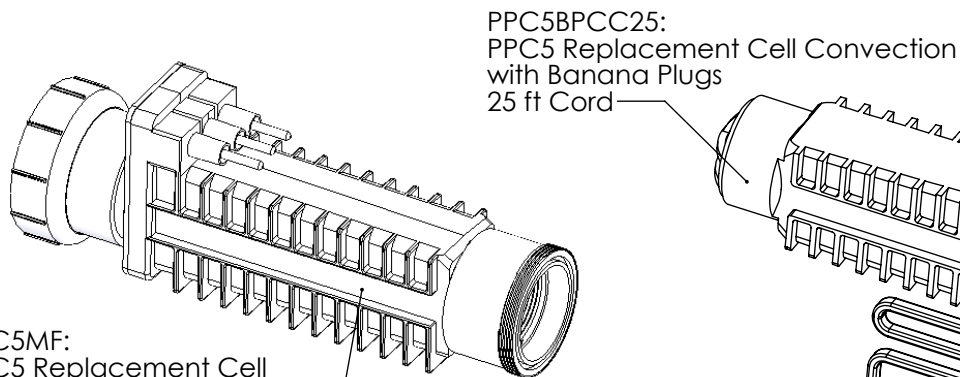
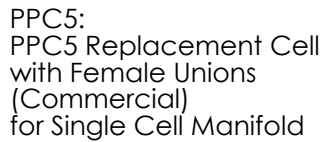
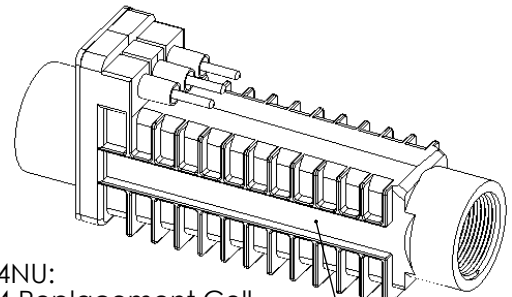
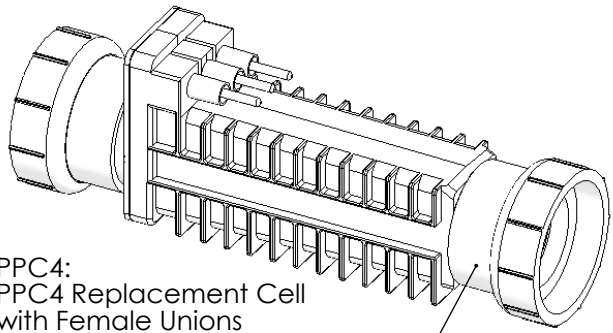
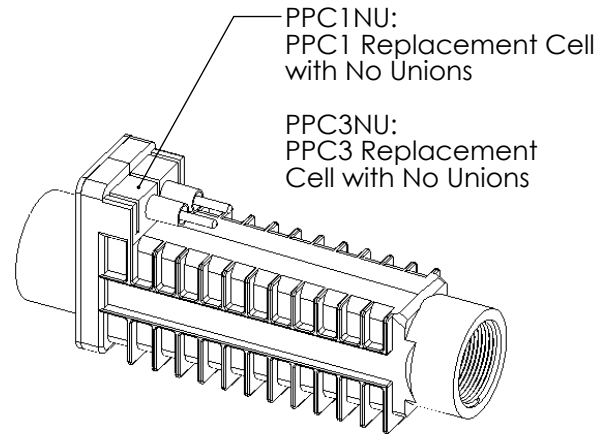
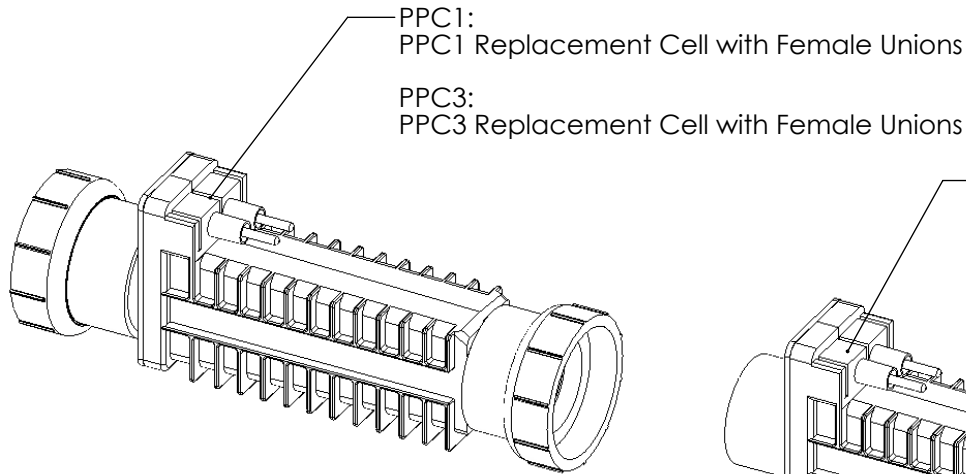
Part #	DESCRIPTION	PAGE #
941-215C-A	Manifold Commercial with 2 PPC5MF Cells	7
ALL	Spacer Cell for Maintenance	9

To convert from dual to triple system, add PLA0046, PPC5MF and Power Supply of choice, ST-220/DIG-220/75003, typically ST-220 is used.

\*Cannot be ordered separately

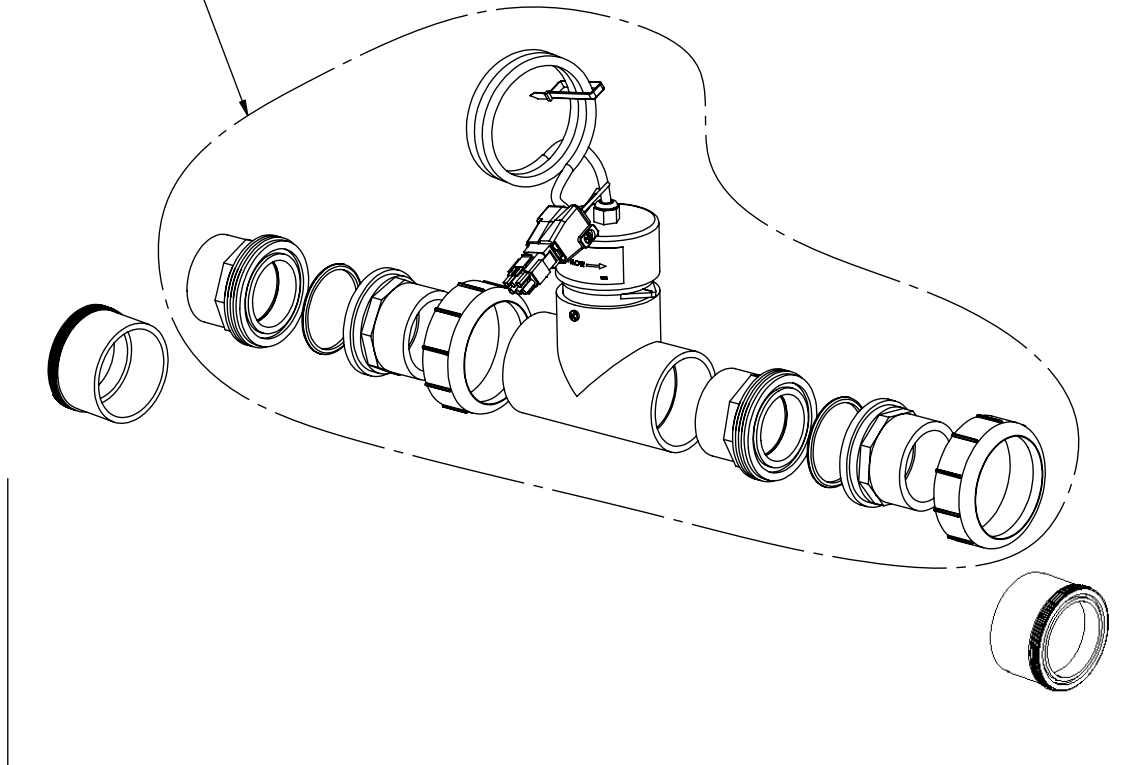
# CELL OPTIONS

Digital



# MANIFOLD ACCESSORIES/TOOLS

- APK0038:  
Tri-sensor Assy for Convection Cell Applications  
Includes:  
401-020 2" T Slip x Slip x Slip  
312-A-SVC Union Nut  
312-F 2" Spigot/1.5" Slip X Female Union  
312-C-SVC Union Half, 1.5" Slip/2" Spigot x Male Thread Union  
\*15405 HDW Screw #6x1/2 PPSMS SS  
APA0003 Tri-sensor with Cord Assy 12 ft



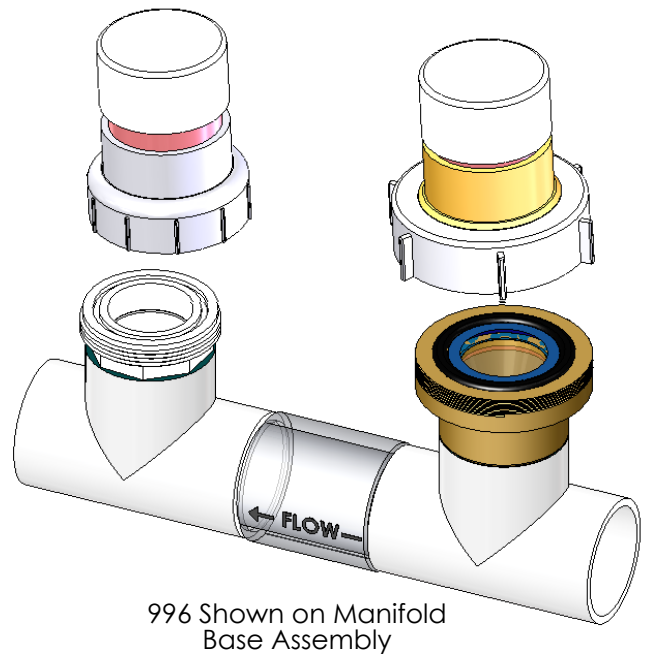
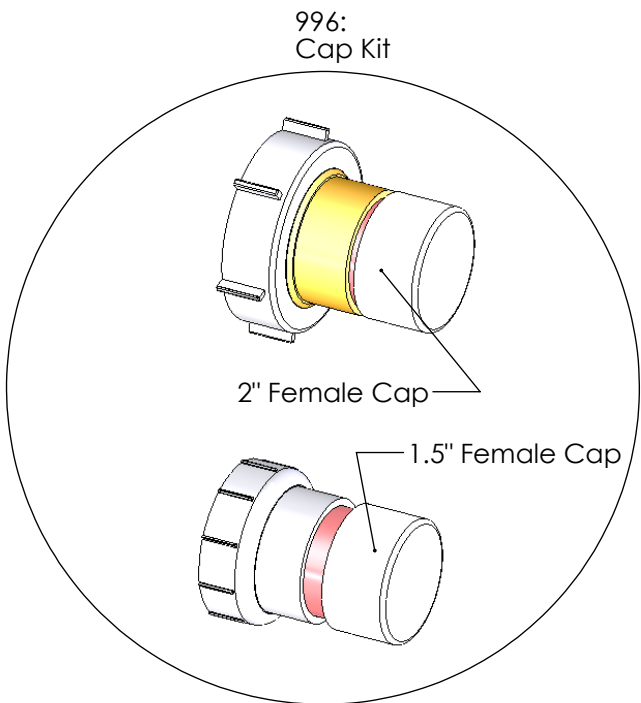
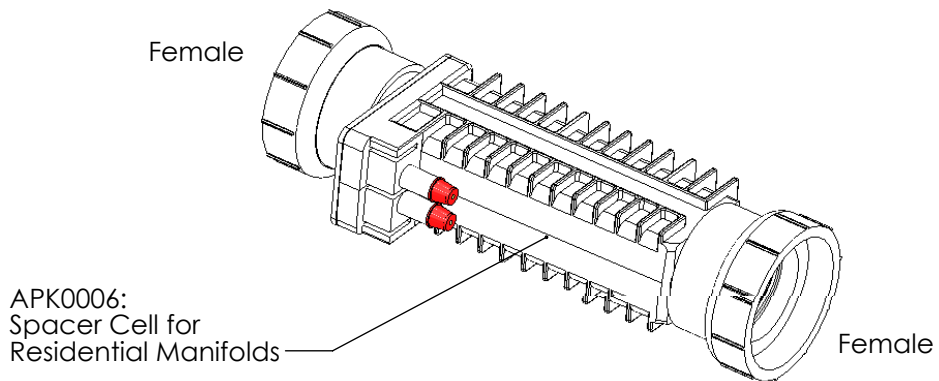
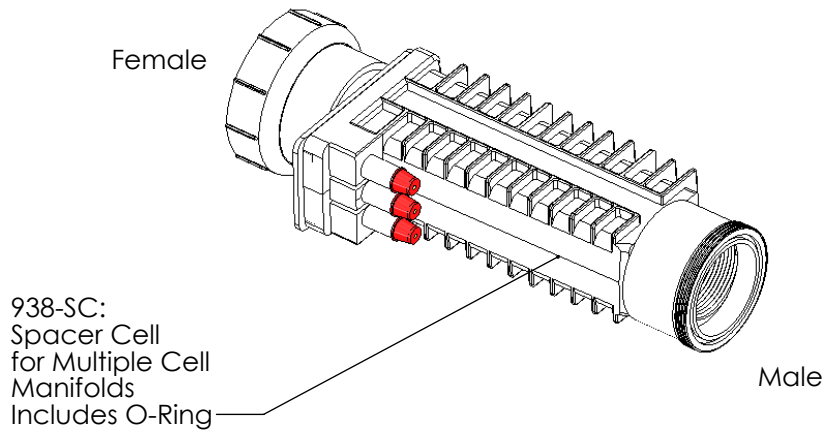
- APA0065:  
Inline Conversion Kit  
Same as APK0038 Kit Above but with Additional Two 312-D  
Union Halves, 2" S x MT Union

\*Cannot be ordered separately

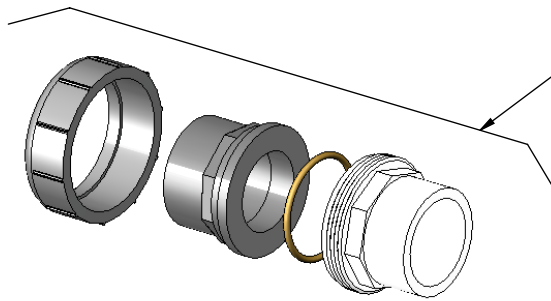


# MANIFOLD ACCESSORIES/TOOLS

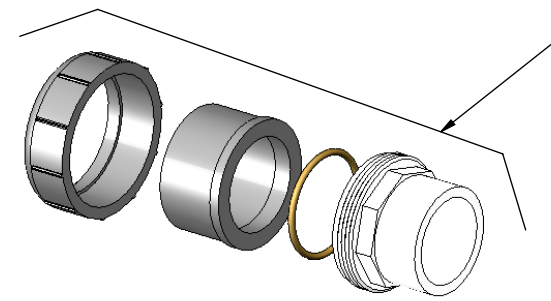
Digital



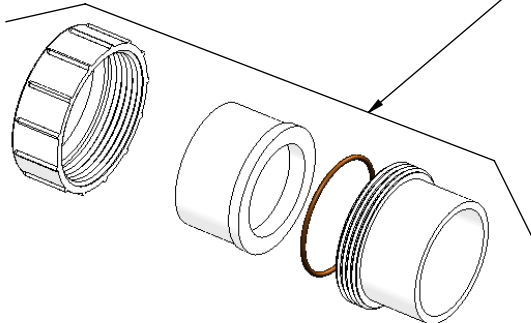
# MANIFOLD ACCESSORIES/TOOLS



19073:  
Union Kit  
Includes:  
312-A-SVC Union Nut  
312-F Union Half, 2" Spigot/1.5" Slip X Female Union  
19070-0 1-1/2" O-Ring  
312-C-SVC Union Half, 1.5" Slip/2" Spigot x Male Thread Union

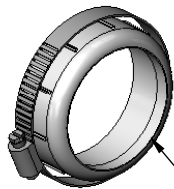


19070:  
Union Kit  
Includes:  
312-A-SVC Union Nut  
312-B-SVC Union Half, 2" Slip x Female Union  
19070-0 1-1/2" O-Ring  
312-C-SVC Union Half, 1.5" Slip/2" Spigot x Male Thread Union

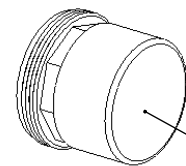


PLS2627:  
Union Kit  
Includes:  
312-A-SVC Union Nut  
312-B-SVC Union Half, 2" Slip x Female Union  
312-D Union Half, 2" Slip x Male Thread Union  
(with O-Ring 19069-0)

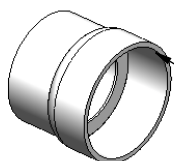
or  
PLS0001:  
Union Kit-Pack of 10 PLS2627



STK0048:  
Cracked Union Nut  
Service Kit



PLA0113:  
Cell Cleaning  
Kit (Male)



2576:  
Metric Adapter  
63mm ID Slip x 2" Spigot  
Quantity of 2 Needed  
Included in Metric Kits  
ONLY (Not Glued)