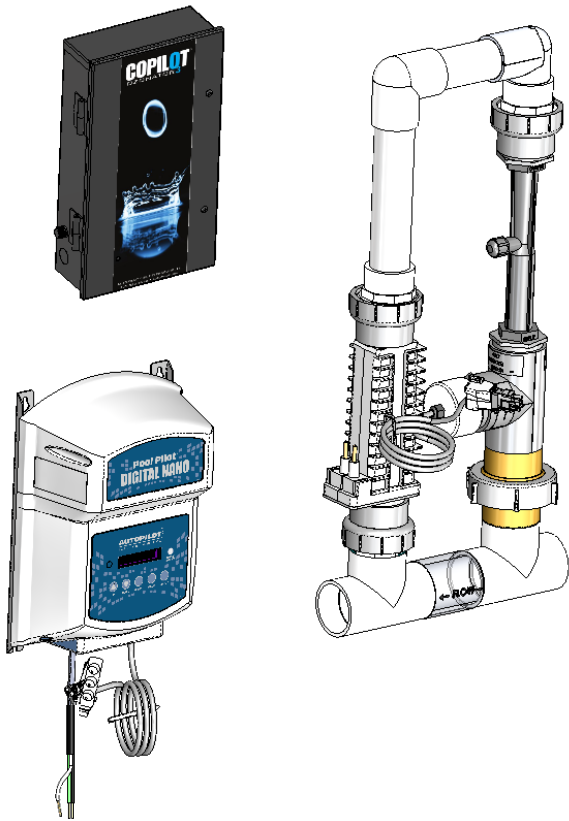


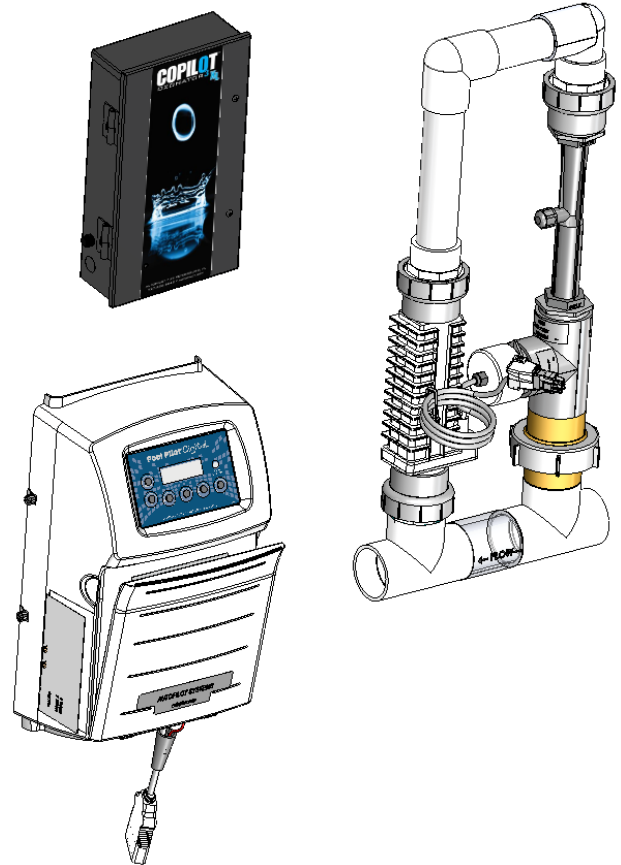
COPILOT® SYSTEMS

CoPilot®

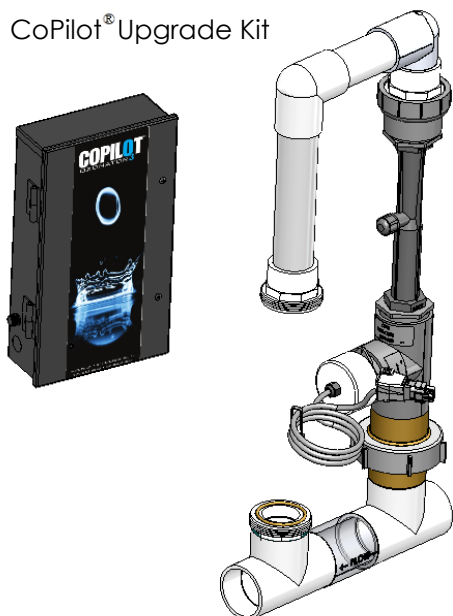
CoPilot® with Digital Nano System



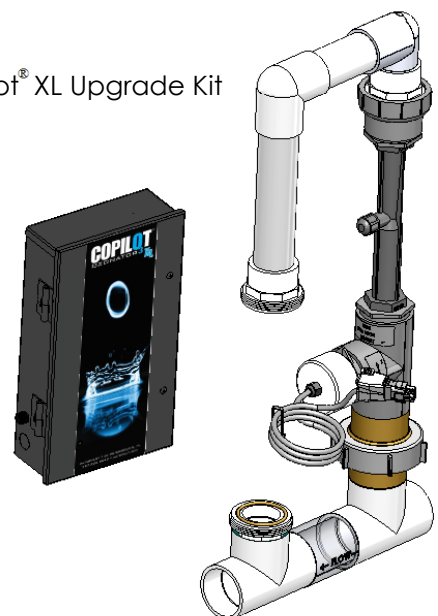
CoPilot® XL with Digital System



CoPilot® Upgrade Kit



CoPilot® XL Upgrade Kit



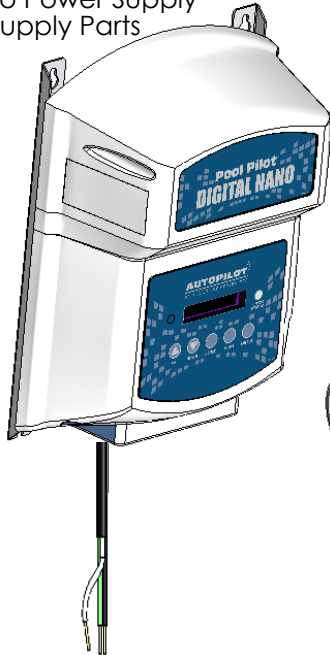
CoPilot®

COPILOT With Digital Nano Systems

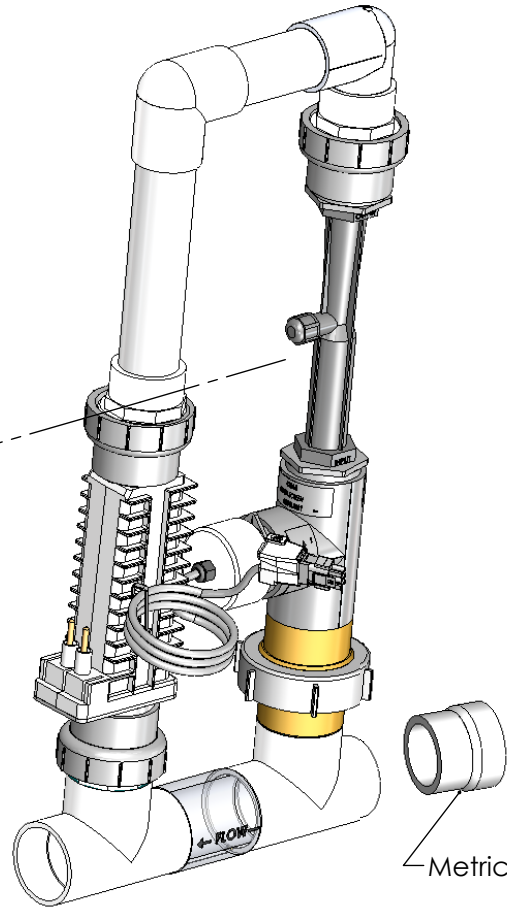
COP-A:
CoPilot® Ozone Unit
110V and 220V



*Pool Pilot® Digital Nano Power Supply
See pg. 32 for Power Supply Parts

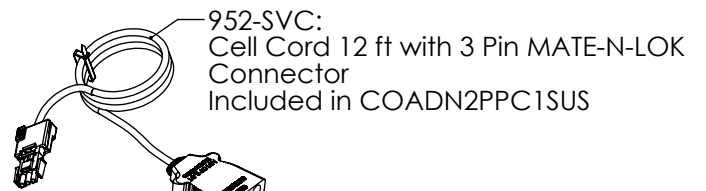


DN2
DN2M



Metric Adapter(s)

Manifold, Ozone, PPC1 Cell
Included in COADN2PPC1SUS



952-SVC:
Cell Cord 12 ft with 3 Pin MATE-N-LOK
Connector
Included in COADN2PPC1SUS



19050:
Red Protective Cap

PART #	DESCRIPTION
COADN2PPC1SUS	Nano 220V with COP-A CoPilot® and Ozone PPC1 Manifold

*Cannot be ordered separately

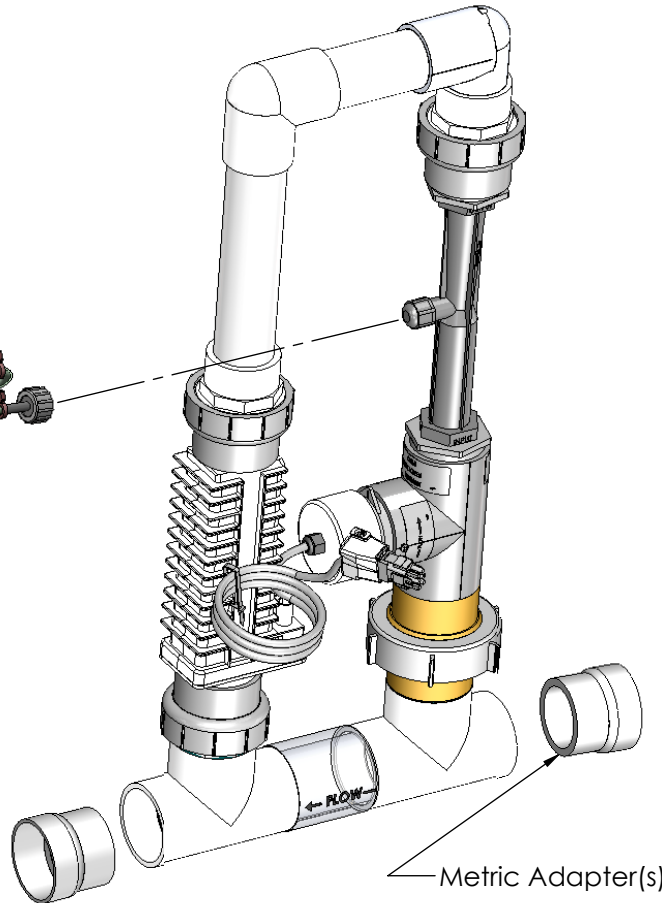
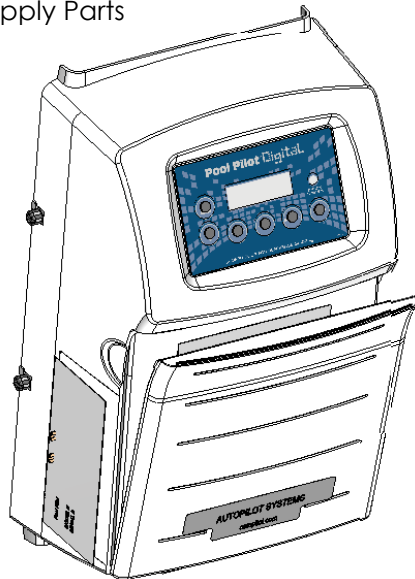
COPILOT[®] With DIG-220 Systems

CoPilot[®]

COP-B:
CoPilot[®] XL Ozone Unit
110V and 220V



DIG-220:
Digital Power Supply
See pg. 2-3
for Power Supply Parts



Manifold, Ozone, PPC4 Cell
Included in COBDIG2PPC4SUS

952-ST/DIG-SVC:
Cell Cord 12 ft
Included in COBDIG2PPC4SUS

19050:
Red Protective Cap

PART #	DESCRIPTION
COBDIG2PPC4SUS	DIG-220 with COP-B CoPilot [®] XL and Ozone PPC4 Manifold

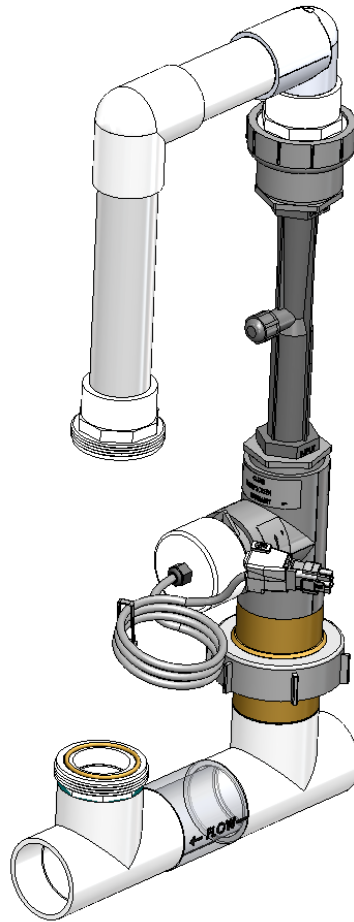
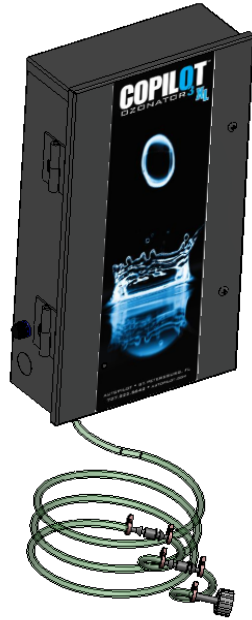
*Cannot be ordered separately

COPILOT® UPGRADE KITS

COP-A:
CoPilot® Ozone Unit
110V and 220V



COP-B:
CoPilot® XL Ozone Unit
110V and 220V



APK0017:
See pg. 82

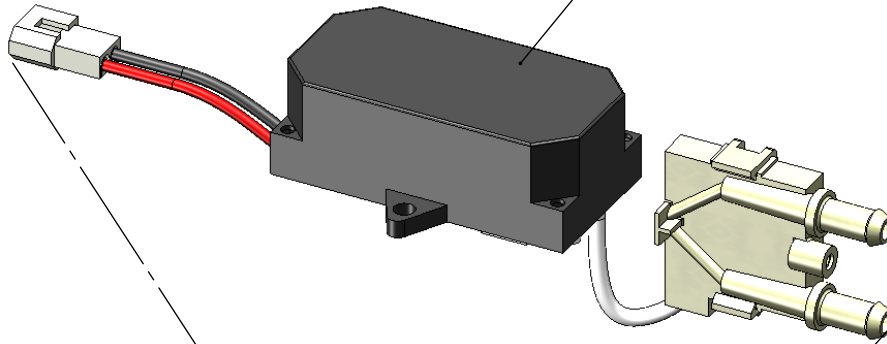
PART #	DESCRIPTION
COA1XXXXUUS	CoPilot® Upgrade Kit for Nano Includes: COP-A CoPilot® Ozone Unit and APK0017 Ozone Injector Manifold Assy
COB2XXXXUUS	CoPilot® XL Upgrade Kit for DIG-220. Includes: COP-B CoPilot® XL Ozone Unit and APK0017 Ozone Injector Manifold Assy

*Cannot be ordered separately

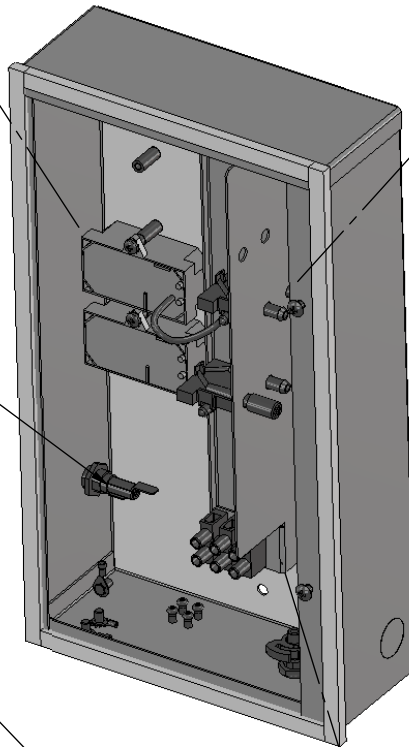
COPILOT[®] Power Supply Parts

CoPilot[®]

APK0052 (9-1056-01):
Power Supply Replacement for COP-A and COP-B



15611-SVC:
Fuse, 1 A, .250" OD x 1.25" Long
for COP-A and COP-B



APK0054:
220V Power Cable with
Grommet for CoPilot[®], 3 ft

APK0053:
110V Power Cord/Plug with
Grommet for CoPilot[®], 3 ft



APK0016 (9-0789-10):
Flow Control Assembly
for all CoPilot[®] Models



COPILOT® MANIFOLD

APK0017:
CoPilot® Manifold Kit
Includes:
*PLM0011 Top Manifold Assembly
*PLM0016 Manifold Ozone Injector Assy
*PLM0013 Manifold Ozone Base Assy

APK0035 (7-1434-01):
Tube Adaptor for Injector
for all CoPilot® Models
1/4" HB X 3/4" FIPT
Black PolyPropylene
Not Included in APK0017

APK0013 (9-0770-02):
Check Valve and Tube
Assembly (11 ft.) for all
CoPilot® Models
Not Included in APK0017

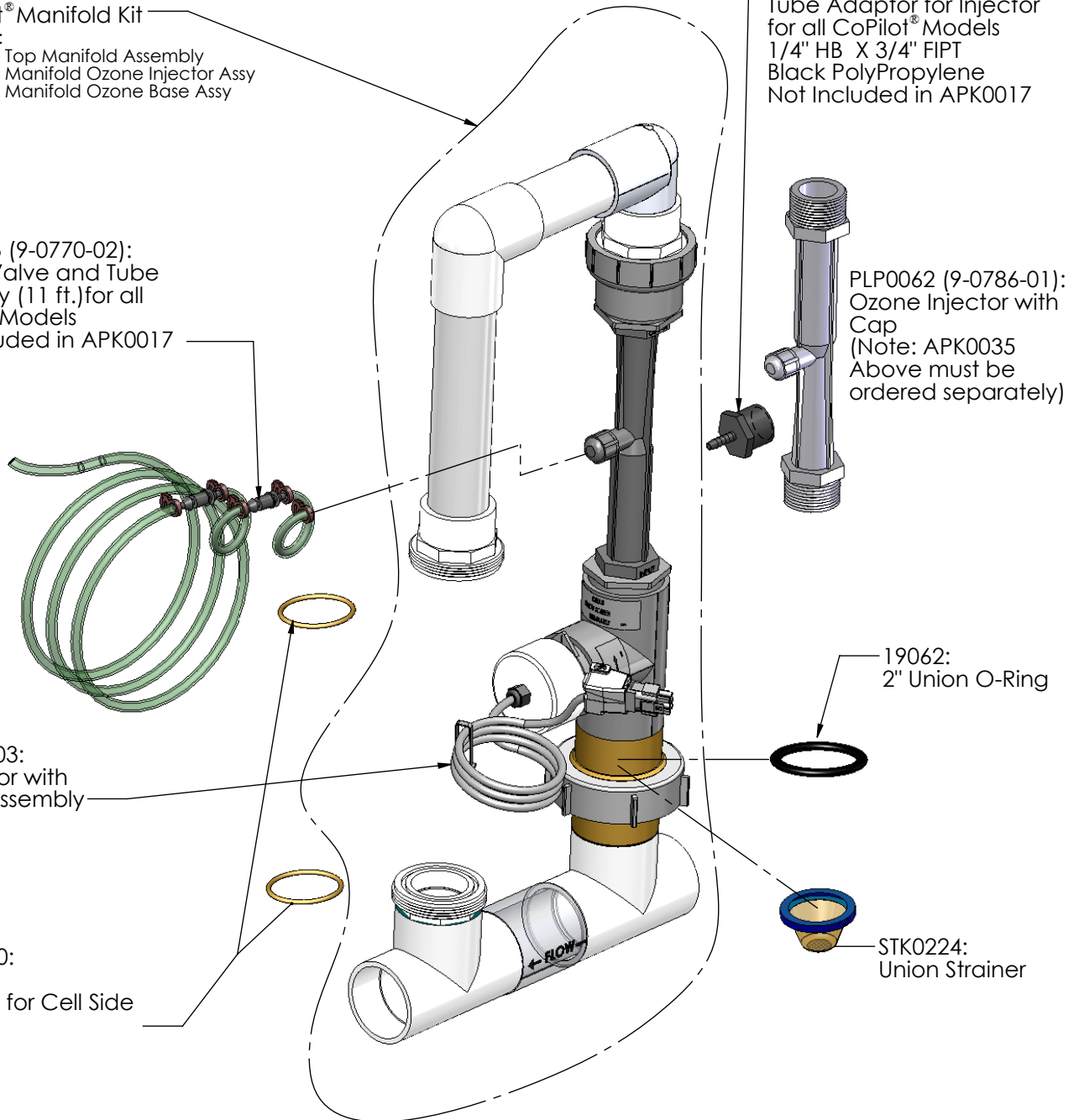
PLP0062 (9-0786-01):
Ozone Injector with
Cap
(Note: APK0035
Above must be
ordered separately)

APA0003:
Tri-sensor with
Cord Assembly

19062:
2" Union O-Ring

19070-0:
1-1/2"
O-Ring for Cell Side

STK0224:
Union Strainer



For Cells See pg. 83

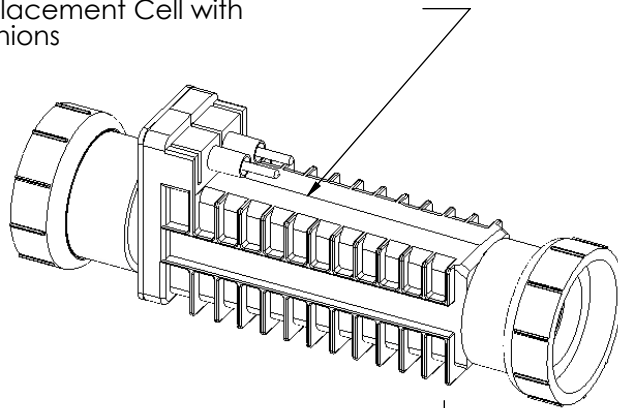
*Cannot be ordered separately

CELL OPTIONS

CoPilot®

PPC1:
PPC1 Replacement Cell with Female Unions

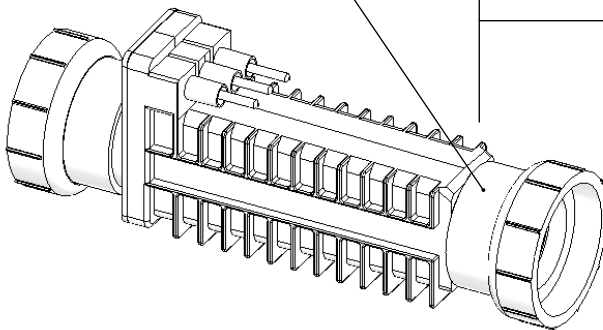
PPC3:
PPC3 Replacement Cell with
Female Unions



STK0048:
Cracked Union Nut
Service Kit

PPC4:
PPC4 Replacement Cell
with Female Unions

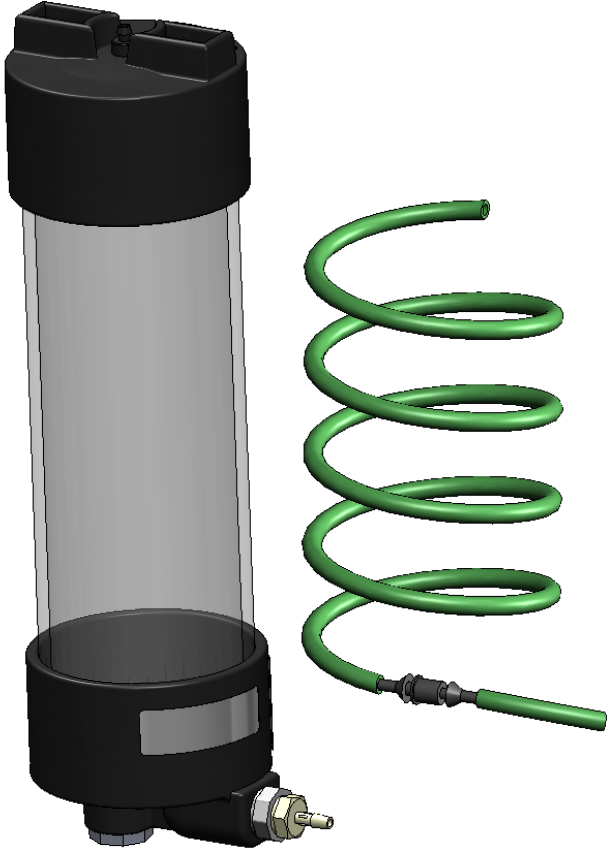
PPC5:
PPC5 Replacement Cell
with Female Unions
(Commercial)
for Single Cell Manifold



CoPilot® Cell Options

CELL	DIGITAL NANO	DIG-220
PPC1	X	X
PPC3	N/A	X
PPC4	N/A	X
PPC5	N/A	X

ACCESSORIES/TOOLS



APK0036 (9-0897-01):
Ozone Backflow Preventer Clear



APK0037 (9-0897-02):
Ozone Backflow Preventer White