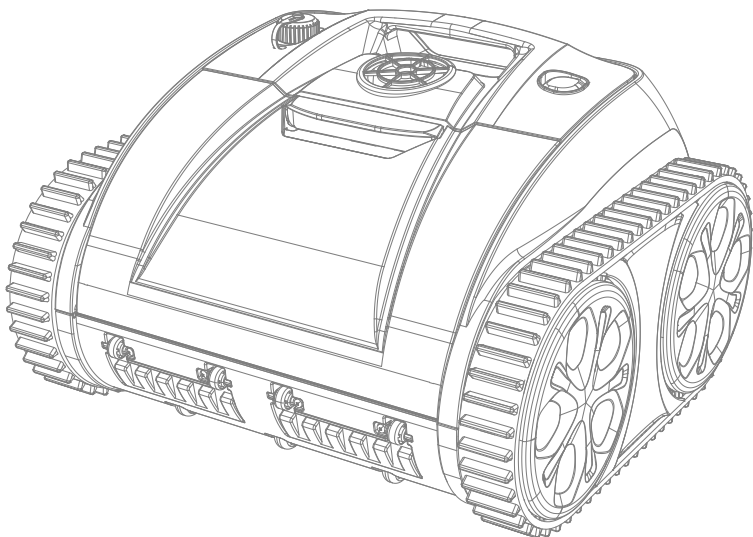


AQUACLEAN

CORDLESS ROBOTIC POOL CLEANER

Cordless Robotic Pool Cleaner Owner's Manual

AC1000 PRO



Read through the entire manual before running your new robotic pool cleaner, and keep this manual handy for future reference.

Thank you for purchasing the AquaClean® Cordless Robotic Pool Cleaner!

The AquaClean Robotic Pool Cleaner is designed to deliver high efficiency, low power consumption, easy operation, and thorough pool cleaning. Its distinctive appearance and reliable features, including one-button activation, powerful suction and scrubbing, fine filtration, smart navigation, and compatibility with various pool shapes and construction materials, ensure convenient, intelligent, and optimal pool cleaning performance.

Please read through the entire manual before using your new cordless robotic pool cleaner. We are not responsible for any loss or injury caused by improper use. If you encounter a problem with your AquaClean® product, please contact our customer service for assistance.

AquaCal AutoPilot, Inc. Customer Service:

Email: customersupport@aquacal.com

Web: www.AquaCal.com

CONTENTS

Important Precautions	01
Product Overview	03
Charging Instructions	04
Setting Up	05
App Instructions	06
Running the Device	07
Cleaning the Filter	08
Device Specifications	09
Device Maintenance	10
FAQ & Troubleshooting	10
Troubleshooting Chart	11
Floating Block Installation	12



IMPORTANT PRECAUTIONS READ AND FOLLOW ALL DIRECTIONS

- Follow all state, local, and National Electrical Code(s) (provincial and Canadian Electrical Code(s) if applicable) unless local guidelines supersede.
- For personal safety, and to avoid damage to equipment, follow all safety instructions displayed on the equipment and within this manual.
- Repair and service of your AquaClean® cleaner must be performed by qualified service personnel only. Failure to properly operate, maintain or repair the AquaClean® cleaner will void the factory warranty.



WARNING - Failure to heed the following may result in permanent injury or death.

- **RISK OF ELECTRICAL SHOCK** - The unit must be connected only to a supply circuit that is protected by a ground-fault circuit-interrupter (GFCI). The GFCI must be tested on a routine basis. To test, push the GFCI test button. Power should be interrupted. Push the reset button. Power should be restored. If the GFCI fails to operate in this manner, it is defective.
- **RISK OF ELECTRICAL SHOCK** - If the ground-fault circuit-interrupter (GFCI) interrupts power to the equipment without the test button being pushed, a ground current is flowing with a possibility of an electrical shock. Do not use equipment. Disconnect the equipment and have the problem corrected by a qualified service representative before using.
- **RISK OF ELECTRICAL SHOCK** - To reduce the risk of electrical shock, do not use the charger if the cord is damaged.
- **PERSONAL SAFETY HAZARD** – To reduce the risk of injury, do not permit children to operate this device. Never allow children to ride on the cleaner or play with it as a toy.
- **RISK OF CHILD DROWNING OR INJURY** - Children must be closely supervised at all times around pool or spa equipment.
- **PERSONAL SAFETY HAZARD** – Do not operate the cleaner when there are people in the pool.
- **PERSONAL SAFETY HAZARD** – Do not charge the cleaner if the environment is above 95° F (35° C) or below 41° F (5° C)

 CAUTION - Failure to heed the following may result in equipment damage.

- Use the accessories recommended or sold by the manufacturer only.
- Dry the charging port after removing the cleaner from out of the water. Ensure the cleaner is switched off (the indicator should be off) before charging.
- Use the original and authorized power charger only. Do not charge any other devices with this charger.
- Do not charge the cleaner if the environment is above 95° F (35° C) or below 41° F (5° C)
- Do not overcharge the cleaner as it will reduce the life of the battery.
- Do not power on the cleaner when it is out of the water.
- Always clean and wash the filter tray after each use.
- Do not use a pool cleaner on newly plastered pools, as wheels can leave track marks if the surface is not adequately cured. Consult your pool professional for instructions on when to use this cleaner on newly plastered surfaces.
- Only qualified service professionals should disassemble the sealed drive kit of the cleaner. Warranties will be voided if the cleaner has been improperly installed. Failure to properly operate, maintain or repair the AquaClean® cleaner will void the factory warranty.

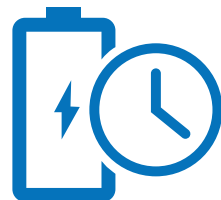
Only use the pool cleaner under the specified water conditions:

Chlorine	Max 4 PPM
pH	7.0 - 7.8 PPM
Temperature	41 - 95 F (5 - 35 C)
NaCl	Maximum = 5000 PPM

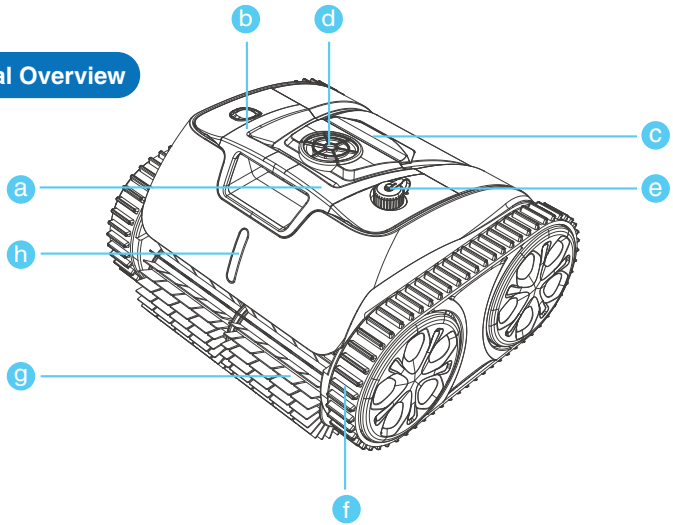
SAVE THESE INSTRUCTIONS

Do not over-charge the cleaner. This will reduce the battery life.

If the cleaner will be stored for more than (6) months, it should be fully charged prior to storage.



Product External Overview



a HANDLE
Use to remove and transport the device easily.

b ON/OFF BUTTON
Turn on/turn off the device.

c FILTER COVER HANDLE
Hold it and press the edge to open the cover.

d PUMP
Suck debris and pump out water.

e CHARGING PORT
Connect the charger.

f TRACK
Enhance device's capability in climbing walls and various obstacles.

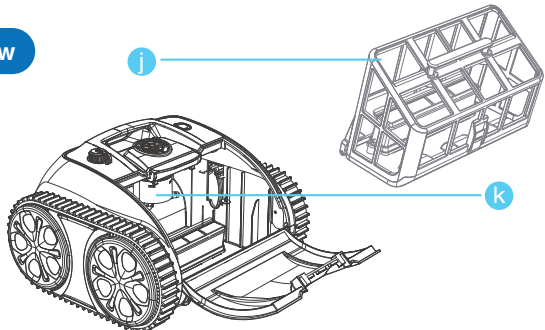
g SCRUBBING BRUSH
Use to loosen dirt and debris, then roll them into the device.

h LED INDICATOR
Different light colors to indicate device status.

Product Internal Overview

j FILTER BASKET
Stores collected dirt and debris. Wash after each use if necessary.

k SEALED PART
Important components are sealed there. For your safety, do not try to disassemble it without authorization.

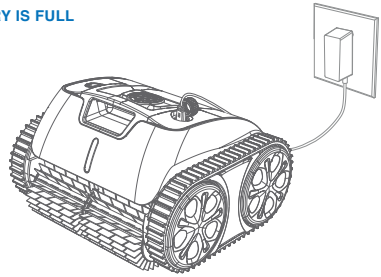
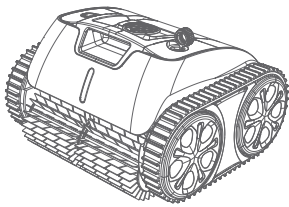


Charge your new AquaClean Robotic Pool Cleaner

The device has a lithium-ion rechargeable battery. Charge the battery before first use and when the battery is low. Connect your device to a power outlet using the included cable and adaptor.

 CHARGING IN PROGRESS

 BATTERY IS FULL



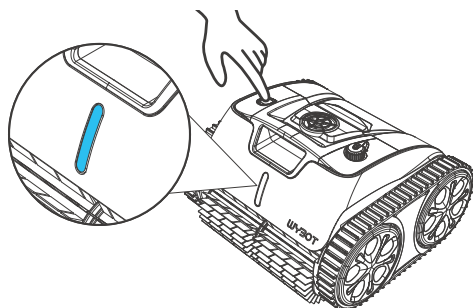
- For your safety, ensure the device is powered off and the charging socket is dry before charging.
- Keep your device and adaptor away from direct sun or water when charging.

NOTE:

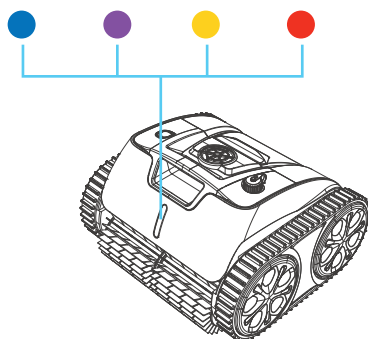
1. When charging, maintain a distance of at least 3m (approximately 10ft) between the device and the pool edge.
2. The best charging environment temperature is 32°F - 95°F (0°C - 35°F), RH at 5% - 95%.

Set up your new AquaClean Robotic Pool Cleaner

You can turn on the device by pressing the on/off button. The LED indicator on the front will display a solid blue ● when the device is on.



Below is the LED indicator guide to help you understand the device's different status.



LED Light	Indication	Status
●	Solid	Power On
	Flashing	Operating
●	Solid	Connecting to App
●	Flashing	Low battery or under self-parking in the pool
	Fading (bright to dim)	Self-parking completion
●	Solid or Flashing	Fault

Connect to your App

You can download the WYBOT App to your smart mobile device by scanning QR code below, or from Google Play or App Store.



IOS	ANDROID
iOS 10.3 or later	Android 4.3 or later

Choose your cleaning mode

After connecting to your App, you can preset a cleaning mode for your device. There are 4 cleaning modes, and you can see details below.

Mode	Cleaning Range	Cleaning Duration
Overall	Wall + Floor + Waterline	110 min
Floor Only	Floor	105 min
Wall Only	Wall	105 min
Wall then Floor	Wall + Floor	105 min

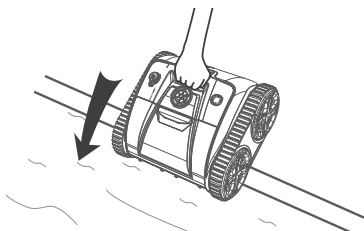
NOTE:

1. You can preset your cleaning modes via App before dropping the unit into the pool. The default mode is Wall then floor.
2. If the device restarts, it will automatically enter the cleaning mode you set last time.
3. Cleaning duration deviation is within ± 5 min.

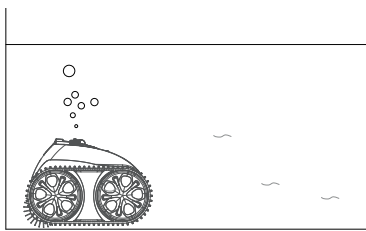
After setup, you can start to clean your pool.

Run your new AquaClean Cordless Robotic Pool Cleaner

Turn on the device, hold the handle of the cleaner and put it into the pool vertically.

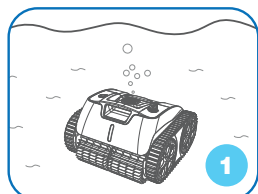


Let it sink down to the floor to empty trapped air inside.

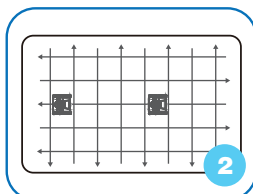


NOTE:

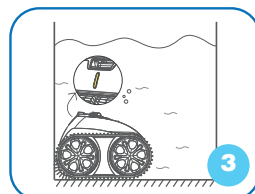
To achieve an optimal cleaning performance, the water depth of the pool should be at least 19.5 in (50 cm) high from the top of the device.



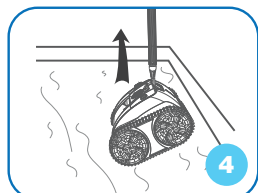
Turn on the device, hold the handle of the cleaner and put it into the pool vertically.



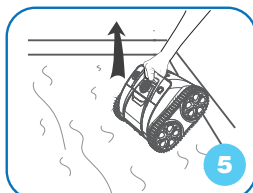
The cleaner will start cleaning the walls, floor, and waterline by default or according to your settings.



Depending on the battery charge, the device will automatically move to stop by the edge of the wall when finishing cleaning.



You can insert the included hook into a pool rod and lift the cleaner out of the pool.

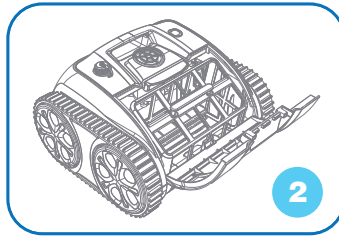
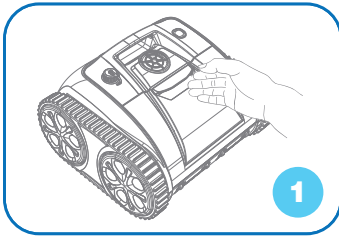


When removing the cleaner from the pool, lift it vertically to drain any water inside.

Do a Filter Cleaning

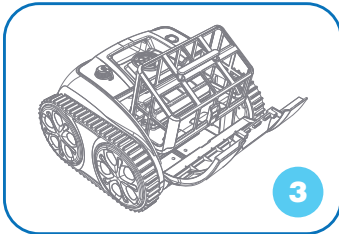
CAUTION - Failure to heed the following may result in equipment damage. Do not attempt to clean the filter while the unit is in the pool.

Hold the filter cover handle, press and open it.

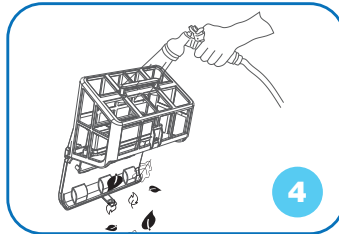


NOTE:

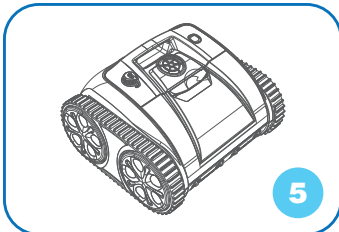
1. Ensure the device is powered off before opening the top cover.
2. Clean the filter basket before allowing it to dry.



Take out the filter basket.



Empty all debris and rinse it with clean water.



After rinsing, put the filter basket into the cleaner and close the cover.

DEVICE SPECIFICATIONS

Model	AquaClean® AC1000 Pro
Rated Working Voltage	10.8V
Power	65W
Run Time	Max. 110min for one cycle
Charger Input	100-240V, 50-60Hz
Charger Output	5A
Battery Capacity	9200mAh
Charging Time	3-4 hours
Pool Size	Up to 861 sq.ft (80 m ²)
Flow Rate	approx. 2642gal/h (10m ³ /h)
Filter Density	180 µm
Moving Speed	approx. 36 ft/min (11 m/min)
Waterproof Grade	IPX8
Charging Environment Temperature	41° F - 95° F (5° C - 35° C)
Max Water Depth	9.8 ft (3 m)
Product Size	14.6(L)*14.1(W)*9.4(H) inches 372(L)*360(W)*240(H) mm
Weight	16.53 lbs (7.5 kg)

NOTE: Chargers may vary, both are certified by authorization.

HOW TO MAINTAIN YOUR DEVICE

You should follow the steps to store your cleaner to maintain good performance.

- a. Always ensure the device is powered off before performing maintenance.
- b. Dry out the cleaner and filter basket.
- c. Fully charge the battery.
- d. Store the cleaner in a cool, ventilated area away from direct sunlight, heat sources, and frost. The ambient temperature should be between 5°C/41°F and 45°C / 113°F.
- e. Charge the cleaner every three months to ensure an optimal battery life.

FAQ & TROUBLESHOOTING

Q: What pool shapes and construction materials is the cleaner suitable for?

A: The machine can be applied to rectangle, oval, or irregular shapes of in-ground swimming pools. Applicable construction materials include PVC, cement and other high-friction materials. (Slippery materials such as tiles, mosaics, and acrylic may not work well.)

Q: Will obstacles such as steps, shallow water areas, drains, slopes, etc., affect the cleaner's operation in the swimming pool?

A: The machine can climb steps, drains, and shallow water areas. The above obstacles may influence its cleaning path, but will not affect the operation of the machine.

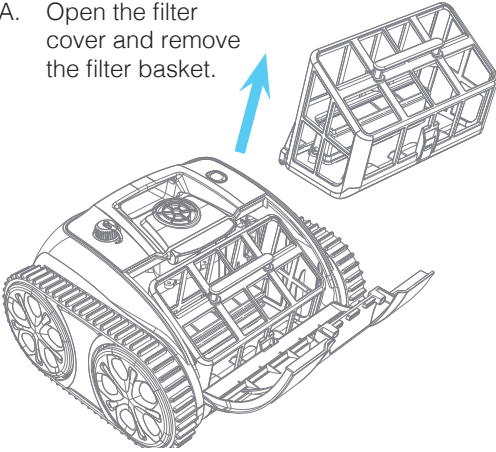
If you encounter the following situations when using the cleaner, check the following table for DIY troubleshooting tips. .

No.	Issue	Details	Possible Causes	Suggested Solution
1	Device does not work	A solid red light	Impeller is stuck	Check the impeller and remove any foreign objects
		A flashing red light	Motor protection	Restart
		A flashing red light	The device is out of the water or the pool water is too shallow	Restart and put it into the pool immediately. Be sure the water depth is over 0.5m
		A fading yellow light	Battery low	Fully charge the device and restart
2	Unable to charge	Charger light flashes	Filter basket blocked	Clean the filter basket
3	Doesn't climb walls	N/A	Slippery construction materials	Stick adhesive blocks
4	Abnormal wall climbing	Climbing Slowly	Filter basket blocked	Filter basket blocked
		Sinking down away from wall or floating on the water	Intake air	Intake air
			Filter basket blocked	Filter basket blocked
5	The cleaner may only clean certain areas and may not cover the entire pool	N/A	Wrong cleaning mode	Connect to the App and re-choose a suitable cleaning mode
			Firmware not latest	Connect to the App and update the firmware
6	Ensure the front side is facing up when the cleaner is on the pool floor	N/A	Filter basket blocked	Clean the filter basket
7	Do not deviate from the set cleaning path	N/A	Encounter obstacles	Clean the filter basket
	Stuck at water drains		Drain height is over 3cm	Help the machine away from the obstacle
	Unable to connect to the App		Device power off	Restart
8	The App cannot be connected when the device is in the pool	N/A	Not available	Connect the device on the shore

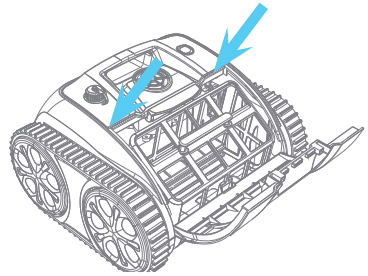
Floating Block Installation

Attention: The following diagrams are limited to use of the floating blocks when the robot cannot climb the pool walls. **If your cleaner is performing well, please bypass these instructions.**

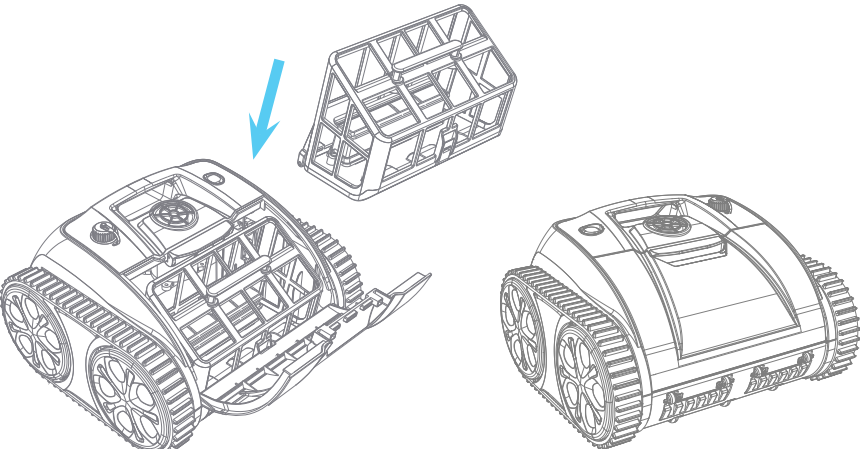
- A. Open the filter cover and remove the filter basket.



- B. Remove the protective film from the back of the floater and apply according to the positions shown in the figure below.



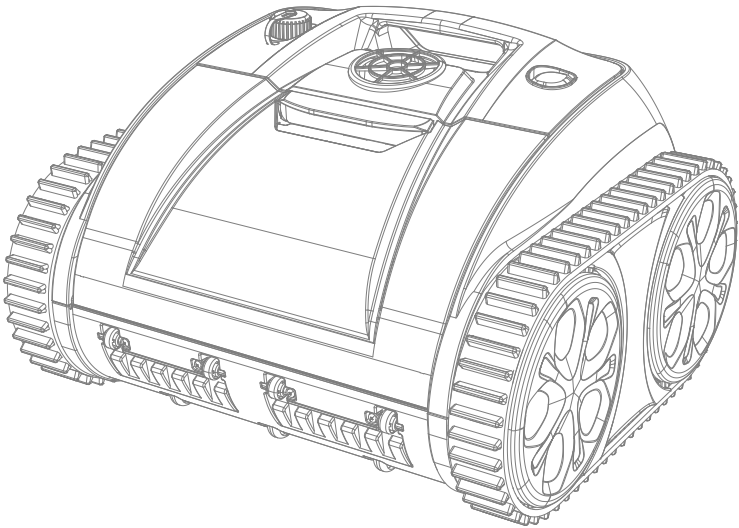
- C. Replace the filter basket and close the filter cover.



**Contact AquaCal® AutoPilot®
customer service about your
warranty at
+1 727.823.5642**

AQUACLEAN

CORDLESS ROBOTIC POOL CLEANER



AquaCal AutoPilot, Inc • 2737 24th Street North, St. Petersburg, FL 33713, USA • +1 727.823.5642

AQUACLEAN

CORDLESS ROBOTIC POOL CLEANER

